

Argo
A-J
8x8

XTI

Argo
A-J
8x8

XTD



Argo 8x8

PARTS MANUAL

From Serial # ...34038

Foreword

ODG has prepared this parts manual for the XTI/XTD models to assist both qualified mechanics and vehicle owners in ordering correct, quality replacement ARGO parts. For the most current parts manual visit our website at www.argoatv.com.

Proper and regular service, and replacing old, worn or broken parts with the correct ARGO replacement parts, are both essential to prolonging the life of the ARGO. Please refer to this parts manual and/or our website www.argoatv.com before ordering any replacement part.

All information contained in this XTI/XTD Parts Manual is based on the latest product specification available at time of printing. If your XTI/XTD differs from the specifications contained in this manual, check our website www.argoatv.com for the most current information.

ODG reserves the right to alter specifications on the XTI/XTD models at any time, without obligation or prior notification.

Reproduction of this XTI/XTD Parts Manual, in whole or in part, is prohibited without prior written permission from Ontario Drive & Gear Limited.

Vehicle Identification

XTI/XTD - Serial Nos. ...34038

Explanation of Parts Manual Format

Ref - Reference number between assembly diagram and component parts list

Part No. - Argo replacement part number for identification and re-ordering

Description - Part description for identification and re-ordering

Qty - Indicates the quantity of a part used in an assembly

Argo AJ8x8 XTI

Argo AJ8x8 XTD



Using the Parts Manual

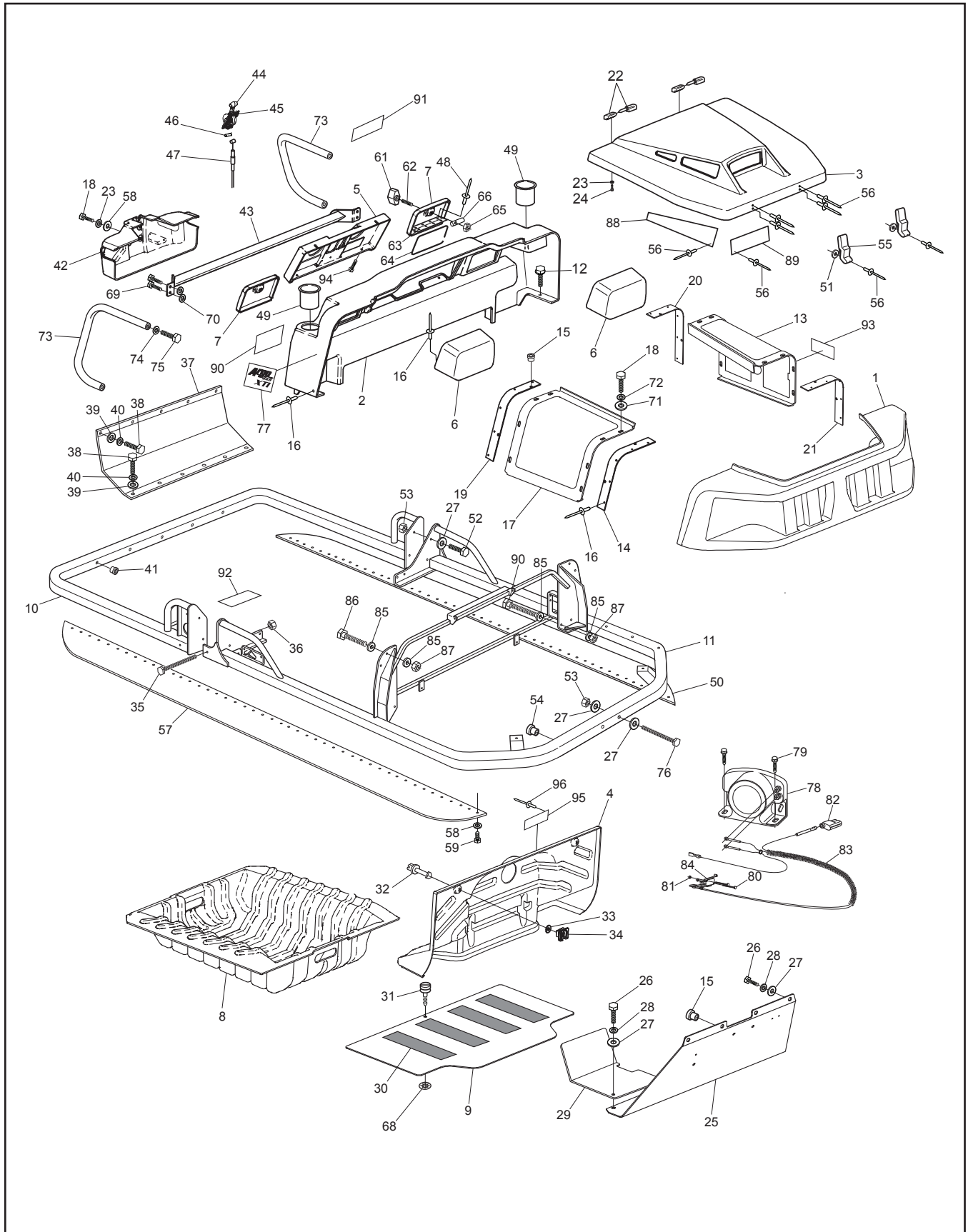
1. Find the major vehicle assembly in the Table of Contents on this page, and turn to that section.
2. Locate the part in the illustration that you wish to order.
3. Refer to the parts list in that section.
4. Find the correct part number (Part No.), part description (Description) and correct quantity (Qty).
5. Use *only* this information to order ARGO replacement parts. *DO NOT* attempt to order a replacement part by reference number or page number.

Table of Contents

Foreword	i
Vehicle Identification.....	i
Using the Parts Manual	ii
1.0 Upper Frame	1
2.0 Frame and Body.....	5
3.0 Axle Assembly	7
4.0 Chain Tensioners.....	8
5.0 Clutch System	9
6.0 Intake and Exhaust System.....	11
7.0 Power Pack Assembly	15
8.0 Transmission	19
8.1 Transmission Sub-Assemblies	21
9.0 Steering & Brake System	23
10.0 Parking Brake	25
11.0 Alternator.....	27
12.0 Fuel System & Seat Assembly	29
13.0 Electrical System.....	33
14.0 Accessories	38

1.0 Upper Frame - XTI

XTI/XTD Parts Manual



XTI/XTD Parts Manual

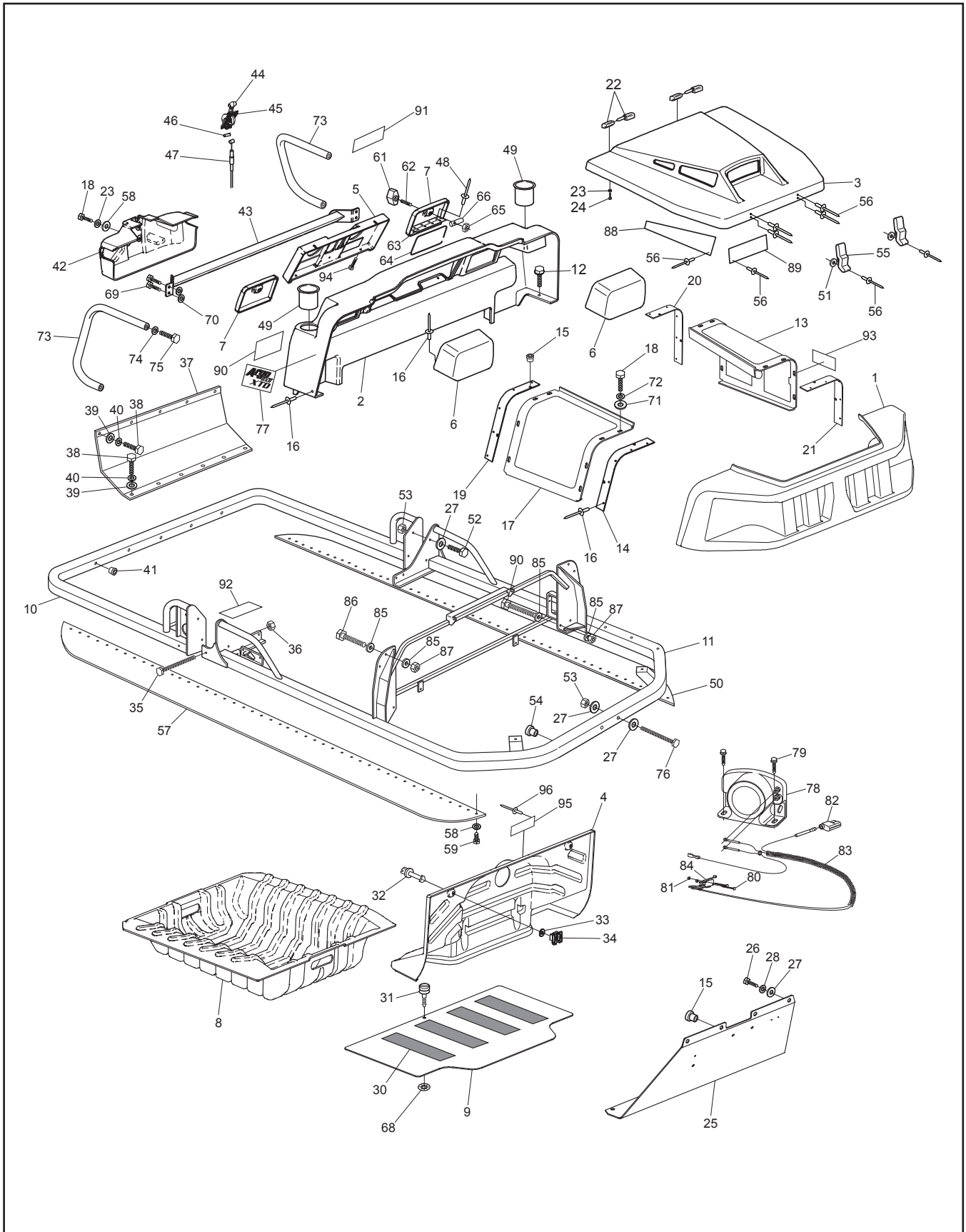
1.0 Upper Frame - XTI

Ref.	Qty.	Part #	Description	Ref.	Qty.	Part #	Description
1	1	951-01	Body, Upper Nose - XT**	52	4	112-93	HHCS M10 x 1,5 x 25mm
2	1	951-02	Body, Upper Dash - XT**	53	6	117-60	Locknut, Nyloc M10 x 1.5mm Zn
3	1	951-03	Hood, XT**	54	4	117-70	Insert, M10 x 1.5-13.5mm OD
4	1	951-04	Firewall - XT	55	2	602-56	Latch, Hood - Soft Draw
5	1	951-06	Panel, Dash Console - XT	56	22	120-11	Rivet, 5/32 x .157-.472
6	2	951-07	Glovebox - XT	57	1	801-195	Mud Flap, 7" Wide XT, RH
7	2	951-08	Cover, Glovebox - XT	58	98	108-08	Washer .28 x .62 x .04 Zn
8	1	951-12	Floorpan, XT	59	94	112-125	Screw, Self-Drilling 12-14 x 1.5" Zn
9	1	953-05	Floor Plate, Front, XT	60	8	120-14	Rivet - 3/16 x 5/8 Black
10	1	950-33	Upper Frame, Rear Weldt - XT	61	2	126-104	Knob, 2 Arm, 1/4"-20 Insert
11	1	950-06	Upper Frame Weldt, XT	62	2	126-105	Stud, 1/4-20 x 1.75 Lg
12	10	112-204	Screw, Self Drilling 12-14x1	63	2	126-106	Hinge, Plastic, 1-1/2x6-1/2
13	1	950-40	Screen Ass'y - LH XT	64	2	126-107	Seal, Bulb, XT Glovebox
14	1	952-233	Bracket, Screen Ass'ySupport - RH FR	65	2	117-102	Nut, Jam, 1/4-20
15	22	117-79	Insert, M6 x 1,0 -10mm OD	66	2	953-34	Pin, Glovebox Catch, XT
16	20	120-13	Rivet - 3/16 X 3/4 Black	67	2	117-27	Locknut, Nylon 1/4-20 Zn
17	1	950-41	Screen Ass'y - RH XT	68	1	127-120	Retainer, Fast Lead Screw - Large
18	12	112-212	HHCS M6 x 1,0 x 25mm Black Zn	69	4	112-63	HHCS M8x1,25x35mm Gr5 Zn
19	1	952-234	Bracket, Screen Ass'y Support - RH RR	70	4	117-77	Locknut, Nylon - M8x1,25mm Zn8
20	1	952-232	Bracket, Screen Ass'y Support - LH RR	71	22	108-104	Washer, 0.28 ID x 1.0 OD x 0.13, Black
21	1	952-231	Bracket, Screen Ass'y Support - LH FR	72	22	108-105	Lockwasher, 1/4 Split, Blk Zn
22	2	127-88L	Hinge, Engine Cover	73	2	953-33	Handle, Grab, XT
23	12	108-03	Lockwasher 1/4 Split Ring Zn	74	4	108-35	Washer .53x1.06x.09 Zn
24	8	112-220	HHCS M6 x 1,0 x 20mm	75	4	112-151	HHCS 1/2-13x1" Gr2 Zn
25	1	953-04	Support, Front, XT	76	2	112-120	HHCS M10x1,5x80mm Zn
26	10	112-133	HHCS M10 x 1,5 x 35mm Zn	77	2	127-239	Plate, Nameplate - XT
27	14	108-15	Washer .42 x .81 x .05 Zn	78	1	848-126	Alarm, Back-up*
28	10	108-67	Lockwasher M10 Split-Ring Zn	79	2	112-102	Screw, Self-Drill 1214x3/4**
29	1	850-227	Shield, Alternator XT	80	2	112-126	HHCS M3x0,5x30 Zn*
30	4ft	127-183RM	Tape, Non-Slip-4 WD x 60ft LG	81	2	117-78	Locknut, Nylon M3x 0.5" Zn*
31	1	112-136	Screw, Fastlead - Large	82	1	118-04	Connector, T-Tap 14-18 Awg*
32	2	112-193	Stud, Q-Turn	83	1	613-113	Wire Harness, Back-up Alarm*
33	2	114-24	Retainer, Q-Turn Washer	84	1	809-202	Switch, Limit - Two Pole*
34	2	117-91	Receptacle, Q-Turn	85	16	108-102	Washer, 0.67x1.18x0.12, Zn*
35	2	112-205	HHCS M12 x 1.75 x 80mm Zn	86	4	112-208	HHCS M16x2x50mm GrZn*
36	2	112-206	Locknut, Nylon, M12 x 1.75 Zn	87	4	117-76	Locknut, Nylon M16x2,0 Zn*
37	1	953-41	Brace, Rear - XT	88	2	953-30	Screen, Side Hood, XT
38	11	112-20	HHCS M8 x 1,25 x 25mm Zn	89	1	953-31	Screen, Front Hood, XT
39	11	108-24	Washer .34 x .70 x .06 Zn	90	1	126-68	Plate, Operation
40	11	108-05	Lockwasher 5/16 Split-Ring Zn	91	1	127-238	Label, Capacity - XTI
41	5	117-69	Insert, M8x1.25-13.5 mm OD	92	1	126-69	Plate, Fuel
42	1	951-05	Cover, Steering Assembly - XT	93	1	127-144	Label, Warning HOT
43	1	950-10	Weldt, Steering Bar	94	4	112-182	HHCS 10-24 x .75 Zn
44	1	127-212	Pivot, Hi-Lo Shifter	95	1	129-01	Plate, Geared By ODG
45	1	127-211	Bracket, Hi-Lo Shifter	96	4	120-13	Rivet - 3/16 x 3/4 Black
46	1	104-66	Pin, HD Shift Cable Threaded				
47	1	127-223	Cable, Hi-Lo Shift Threaded				
48	16	120-09	Rivet - 3/16 x 1.0 Black				
49	2	100-109	Cup Holder Insert				
50	1	801-196	Mud Flap, 7" Wide XT, LH				
51	4	120-05	Washer .19x.50x.04 Zn				

* If equipped
** Specify colour

1.0 Upper Frame - XTD

XTI/XTD Parts Manual



XTI/XTD Parts Manual

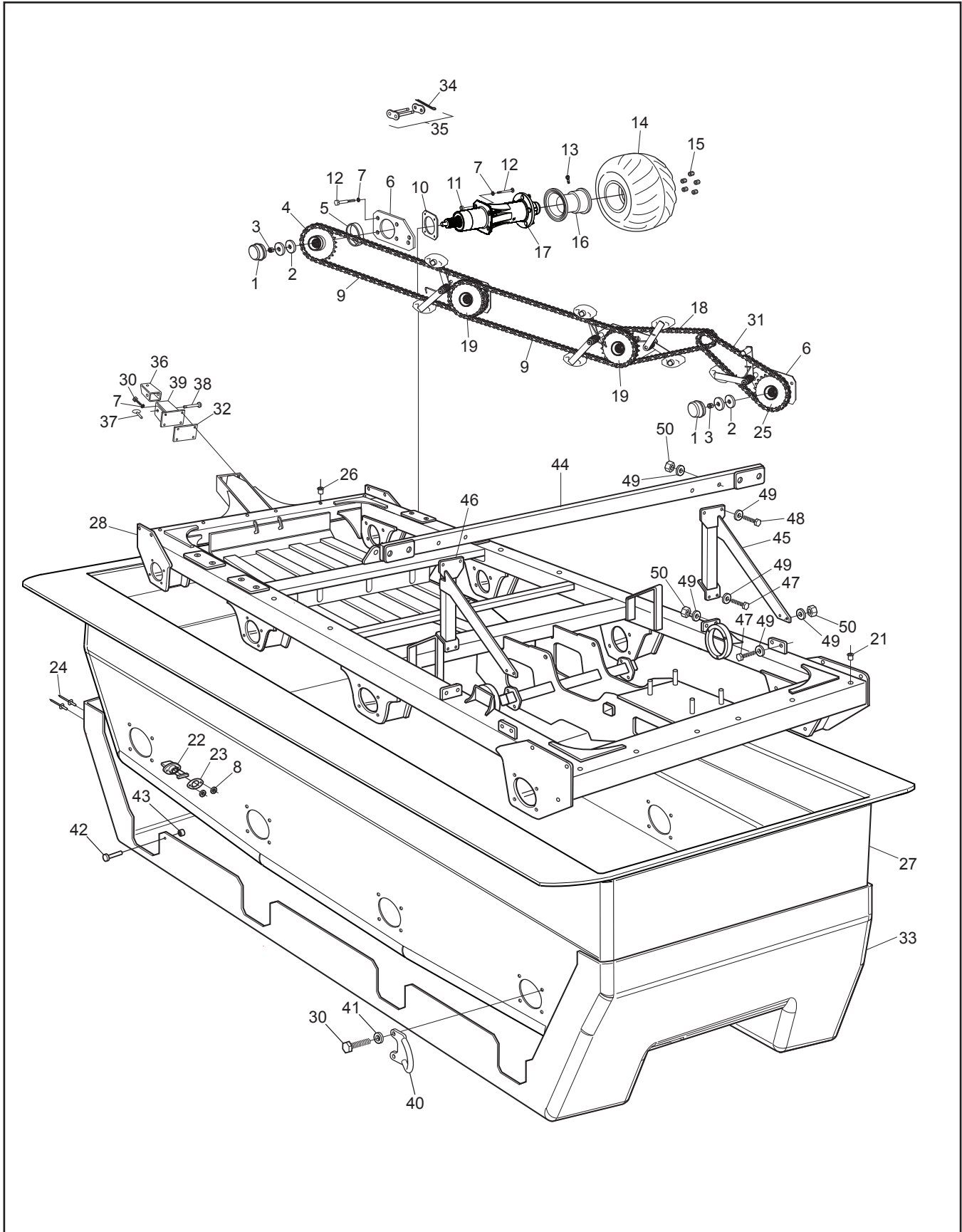
1.0 Upper Frame - XTD

Ref.	Qty.	Part #	Description	Ref.	Qty.	Part #	Description
1	1	951-01	Body, Upper Nose - XT**	54	4	117-70	Insert, M10 x 1.5-13.5mm OD
2	1	951-02	Body, Upper Dash - XT**	55	2	602-56	Latch, Hood - Soft Draw
3	1	951-03	Hood, XT**	56	22	120-11	Rivet, 5/32 x .157-.472
4	1	951-04	Firewall - XT	57	1	801-195	Mud Flap, 7" Wide XT, RH
5	1	951-06	Panel, Dash Console - XT	58	98	108-08	Washer .28 x .62 x .04 Zn
6	2	951-07	Glovebox - XT	59	94	112-125	Screw, Self-Drilling 12-14 x 1.5" Zn
7	2	951-08	Cover, Glovebox - XT	60	8	120-14	Rivet - 3/16 x 5/8 Black
8	1	951-12	Floorpan, XT	61	2	126-104	Knob, 2 Arm, 1/4"-20 Insert
9	1	953-05	Floor Plate, Front, XT	62	2	126-105	Stud, 1/4-20 x 1.75 Lg
10	1	950-33	Upper Frame, Rear Weldt XT	63	2	126-106	Hinge, Plastic, 1-1/2x6-1/2
11	1	950-06	Upper Frame Weldt, XT	64	2	126-107	Seal, Bulb, XT Glovebox
12	10	112-204	Screw, Self Drilling 12-14x1	65	2	117-102	Nut, Jam, 1/4-20
13	1	950-40	Screen Ass'y - LH XT	66	2	953-34	Pin, Glovebox Catch, XT
14	1	952-233	Bracket, Screen Ass'ySupport - RH FR	67	2	117-27	Locknut, Nylon 1/4-20 Zn
15	22	117-79	Insert, M6 x 1,0 -10mm OD	68	1	127-120	Retainer, Fast Lead Screw - Large
16	20	120-13	Rivet - 3/16 X 3/4 Black	69	4	112-63	HHCS M8x1,25x35mm Gr5 Zn
17	1	950-41	Screen Ass'y - RH XT	70	4	117-77	Locknut, Nylon - M8x1,25mm Zn8
18	12	112-212	HHCS M6 x 1,0 x 25mm Black Zn	71	22	108-104	Washer, 0.28 ID x 1.0 OD x 0.13, Black
19	1	952-234	Bracket, Screen Ass'y Support - RH RR	72	22	108-105	Lockwasher, 1/4 Split, Blk Zn
20	1	952-232	Bracket, Screen Ass'y Support - LH RR	73	2	953-33	Handle, Grab, XT
21	1	952-231	Bracket, Screen Ass'y Support - LH FR	74	4	108-35	Washer .53x1.06x.09 Zn
22	2	127-88L	Hinge, Engine Cover	75	4	112-151	HHCS 1/2-13x1" Gr2 Zn
23	12	108-03	Lockwasher 1/4 Split Ring Zn	76	2	112-120	HHCS M10x1,5x80mm Zn
24	8	112-220	HHCS M6 x 1,0 x 20mm	77	2	127-289	Plate, Nameplate - XTD
25	1	953-04	Support, Front, XT	78	1	848-126	Alarm, Back-up*
26	8	112-133	HHCS M10 x 1,5 x 35mm Zn	79	2	112-102	Screw, Self-Drill 12-14x3/4**
27	12	108-15	Washer .42 x .81 x .05 Zn	80	2	112-126	HHCS M3x0,5x30 Zn*
28	8	108-67	Lockwasher M10 Split-Ring Zn	81	2	117-78	Locknut, Nylon M3x 0.5" Zn*
30	4ft	127-183RM	Tape, Non-Slip-4 WD x 60ft LG	82	1	118-04	Connector, T-Tap 14-18 Awg*
31	1	112-136	Screw, Fastlead - Large	83	1	613-113	Wire Harness, Back-up Alarm*
32	2	112-193	Stud, Q-Turn	84	1	809-202	Switch, Limit - Two Pole*
33	2	114-24	Retainer, Q-Turn Washer	85	24	108-102	Washer, 0.67x1.18x0.12, Zn*
34	2	117-91	Receptacle, Q-Turn	86	4	112-208	HHCS M16x2x50mm Gr Zn*
35	2	112-205	HHCS M12 x 1.75 x 80mm Zn	87	8	117-76	Locknut, Nylon M16x2,0 Zn*
36	2	112-206	Locknut, Nylon, M12 x 1.75 Zn	88	2	953-30	Screen, Side Hood, XT
37	1	953-41	Brace, Rear - XT	89	1	953-31	Screen, Front Hood, XT
38	11	112-20	HHCS M8 x 1,25 x 25mm Zn	90	4	112-207	HHCS M16x2x70mm Gr8.8 Zn
39	11	108-24	Washer .34 x .70 x .06 Zn	90	1	126-68	Plate, Operation
40	11	108-05	Lockwasher 5/16 Split-Ring Zn	91	1	127-291	Label, Capacity - XTD
41	5	117-69	Insert, M8x1.25-13.5 mm OD	92	1	126-69	Plate, Fuel
42	1	951-05	Cover, Steering Assembly - XT	93	1	127-144	Label, Warning HOT
43	1	950-10	Weldt, Steering Bar	94	4	112-182	HHCS 10-24 x .75 Zn
44	1	127-212	Pivot, Hi-Lo Shifter	95	1	129-01	Plate, Geared By ODG
45	1	127-211	Bracket, Hi-Lo Shifter	96	4	120-13	Rivet - 3/16 x 3/4 Black
46	1	104-66	Pin, HD Shift Cable Threaded				
47	1	127-223	Cable, Hi-Lo Shift Threaded				
48	16	120-09	Rivet - 3/16 x 1.0 Black				
49	2	100-109	Cup Holder Insert				
50	1	801-196	Mud Flap, 7" Wide XT, LH				
51	4	120-05	Washer .19x.50x.04 Zn				
52	4	112-93	HHCS M10 x 1,5 x 25mm				
53	6	117-60	Locknut, Nyloc M10x1.5mm Zn				

* If equipped
** Specify colour

2.0 Frame and Body

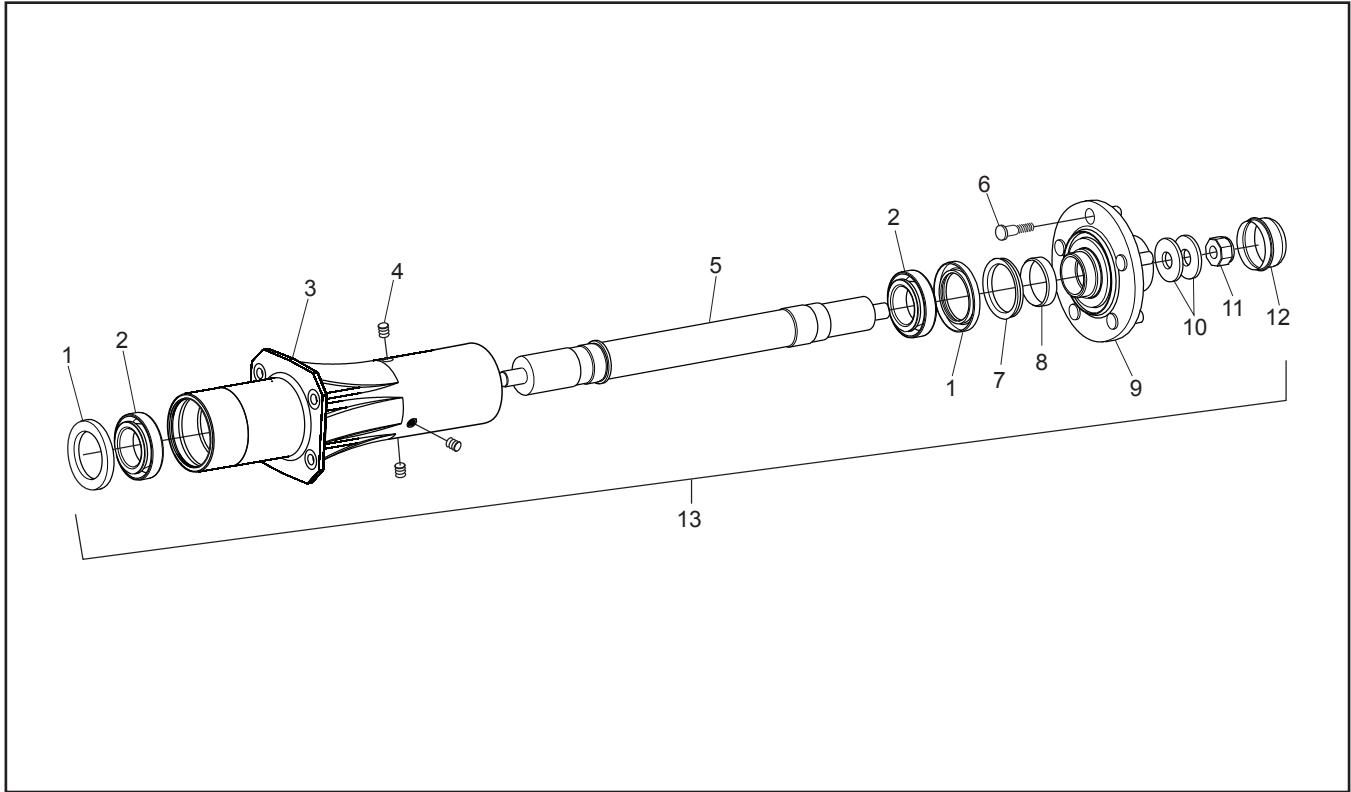
XTI/XTD Parts Manual



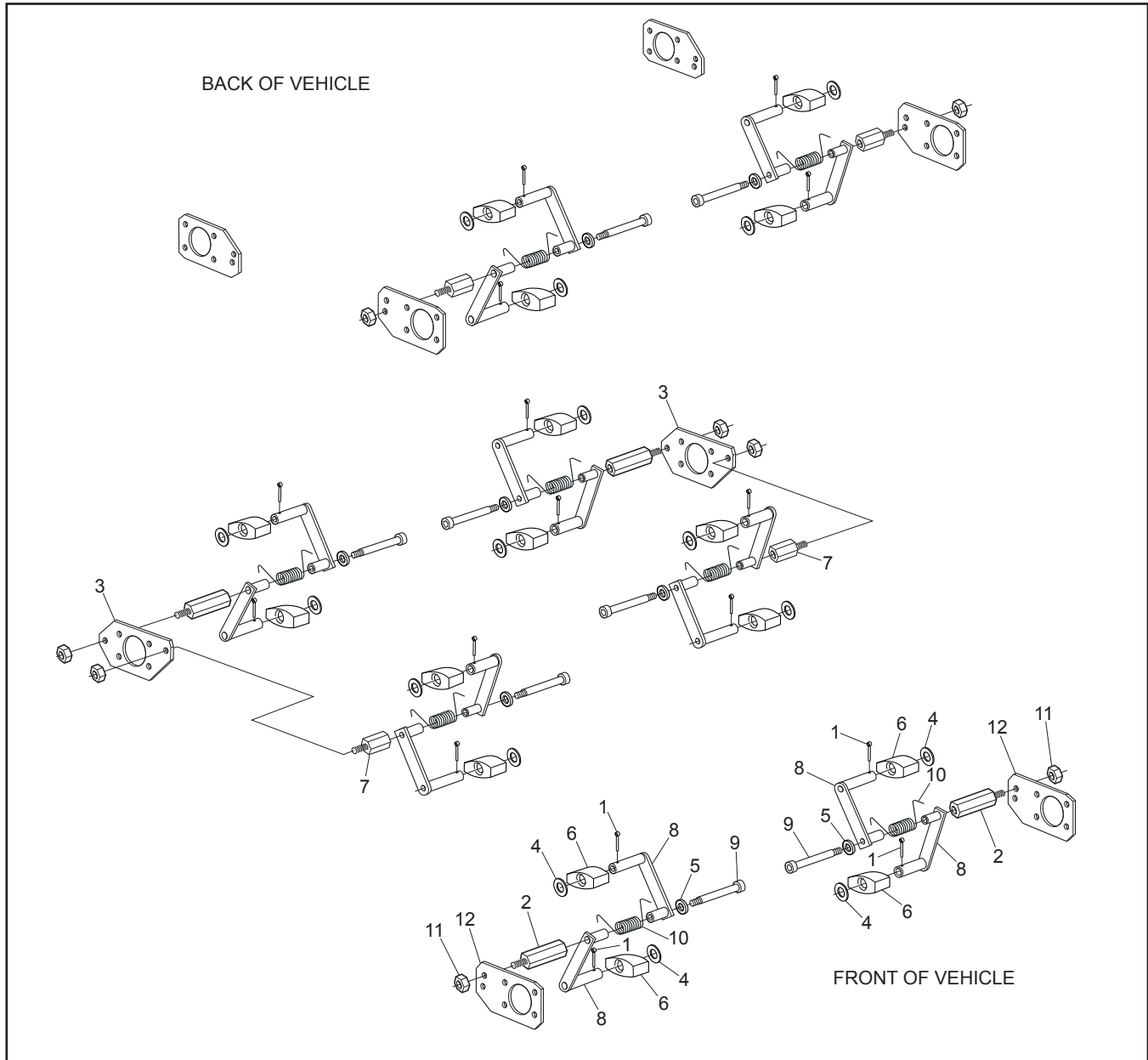
Ref.	Qty.	Part #	Description
1	8	805-120	Cap, Bearing Dust - 2.0 Plated
2	16	108-40	Washer .68 x 1.77 x .16 Zn
3	8	117-72	Locknut, Nylon - M16 x 1,5 Zn
4	2	805-136	Sprocket Asm, Rear -S60 x 24T
5	8	805-108	Bushing, 1.97 Od, 1.82 Id x .46
6			See Section 5.0 Chain Tensioners
7	68	108-67	Lockwasher M10 Split Ring Zn
8	4	120-04	Washer .19 x .50 x .08 Zn
9	4	953-16	Chain, RC60-1-HD X 96P
10	8	805-121	Gasket, Flange
11	32	805-114	Bushing .75 x .58 x .25 Zn
12	60	112-133	HHCS M10 x 1,5 x 35mm Zn
13	8	125-26	Valve, Tire
14	8	127-182	Tire, Argo 25 x 12-9
15	40	117-74	Nut, Wheel M12 x 1,25 Zn
16	8	127-61BL	Rim - 10 x 9 -Black
17	8	805-133	Axle Asm, Centaur
18	2	953-15	Chain, RC60-1-HD x 58P
19	4	805-135	Sprocket Asm, Mid - S60 x 2 x 24T
20		126-60	Vinyl Strip 1/2" x 1/4"
21	10	117-70	Insert, M10 x 1.5-13.5mm OD
22	2	100-107	Plug, Drain - Flanged
23	2	100-114	Gasket, Drain Plug
24	4	120-09	Rivet 3/16 x 1 - Black
25	2	805-137	Sprocket Asm, Front - S60 x 24T
26	6	117-69	Insert, M8 x 1.25-13.5mm OD
27	1	951-15	Body, Lower - XTI
28	1	950-05	Frame Asm, XTI
	1	950-38	Frame, Chassis - XTD
29		953-32	Link, 2P Offset, RC60HD
30	8	112-92	HHCS M10 x 1,5 x 40mm Zn
31	2	953-14	Chain, RC60-1-HD x 54P
32	1	616-20	Gasket, Rear Hitch
33	1	801-123SKD	Skid Plate - Centaur
34		100-116	Pin, Cotter - .09 x .63
35		953-12	Link, RC60-1-HD, Slip Fit
36	1	616-19	Tube, Hitch
37	1	104-11	Pin, Lynch
38	1	104-13	Pin, Top Link
39	1	616-16	Hitch Draw Bar Assembly
40	2	642-84	Tie Down
41	8	108-15	Washer .42x.81x.05 Zn
42	36	120-27	Pin, Magna Grip, Black Zn
43	36	120-28	Collar, Magna Grip Zinc Dichro
44	1	956-04	Support, ROPS, Horizontal
45	1	956-05	Support, ROPS Vertical, LH
46	1	956-06	Support, ROPS Vertical, RH
47	4	112-93	HHCS M10 x 1,5 x 25mm
48	4	112-22	HHCS M10 x 1,5 x 35mm
49	24	108-101	Washer, 10mm, DIN125A
50	12	117-60	Locknut, Nyloc M10 x 1.5mm Zn8
51	8	117-76	Locknut, Nylon - M16 x 1.5 Zn

3.0 Axle Assembly

XTI/XTD Parts Manual



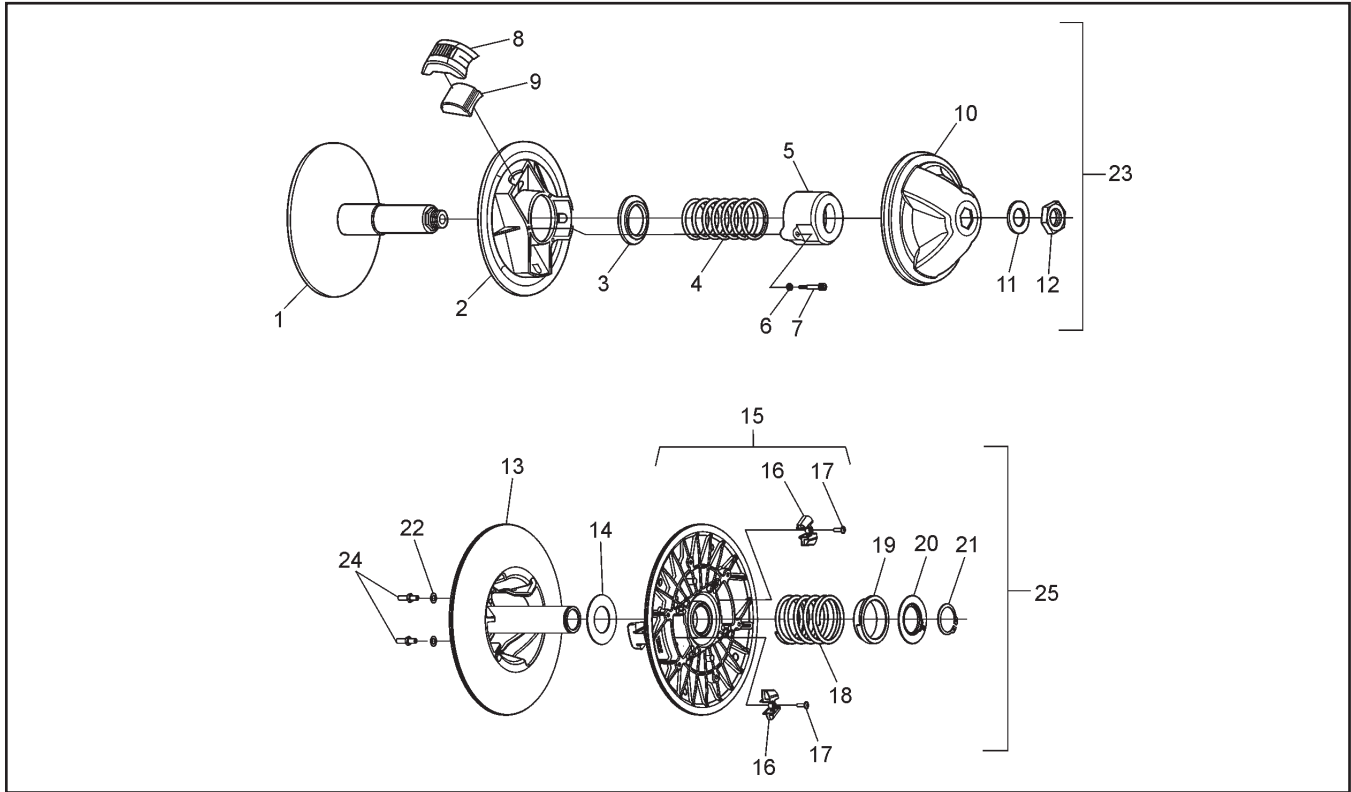
Ref.	Qty.	Part #	Description
1	2	102-27	Seal, Oil 50x72x8 Dbl Lip
2	2	101-76	Bearing, Tapered Roller 32008X
3	1	805-132	Housing Asm, Axle
4	3	127-85	Plug, Drain - M10 x 1,0
5	1	805-106	Axle -17T Spline
6	5	112-81	Stud, Wheel - M12 x 1,25R Zn
7	1	102-28	Seal, Oil V-ring 50mm
8	1	805-108	Bushing, 1.97 OD, 1.82 ID x .46
9	1	805-107	Hub, Wheel
10	2	108-40	Washer .68x1.77x.16 Zn
11	1	117-72	Locknut, Nylon - M16 x 1,5 Zn
12	1	805-120	Cap, Bearing Dust - 2.0 Plated
13	8	805-133	Axle Ass'y



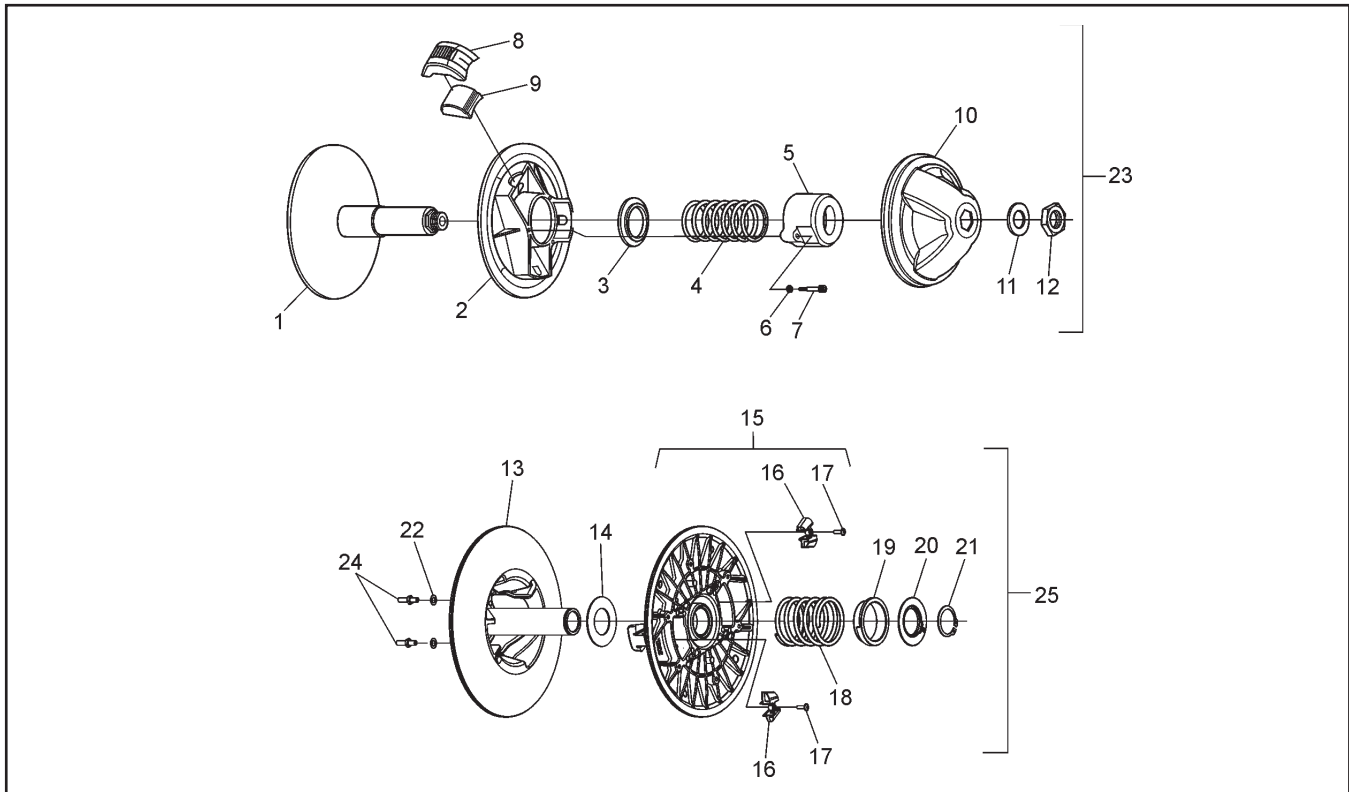
Ref.	Qty.	Part #	Description
1	16	100-105	Pin, Cotter 3/16 x 1.75" Zn
2	4	953-19	Standoff, Hex, 54mm
3	2	953-22	Flange, 2 Pos., XT
4	16	108-72	Washer, 0.938 x 1.75 x 0.125" Zn
5	24	108-34	Washer .47 x .94 x .06 Zn
6	16	606-40	Slider Block -7/8" Shaft
7	4	953-20	Standoff, Hex, 23.5mm
8	16	806-211	Pivot Arm Asm
9	8	112-158	Bolt, Shoulder, 12mm x 70mm Lg
10	8	128-16	Spring, Torsion - Cent. Chain
11	8	117-32	Locknut, Nylon 7/16-20 Zn
12	6	953-21	Flange, Axle, XT

5.0 Clutch System - XTI

XTI/XTD Parts Manual

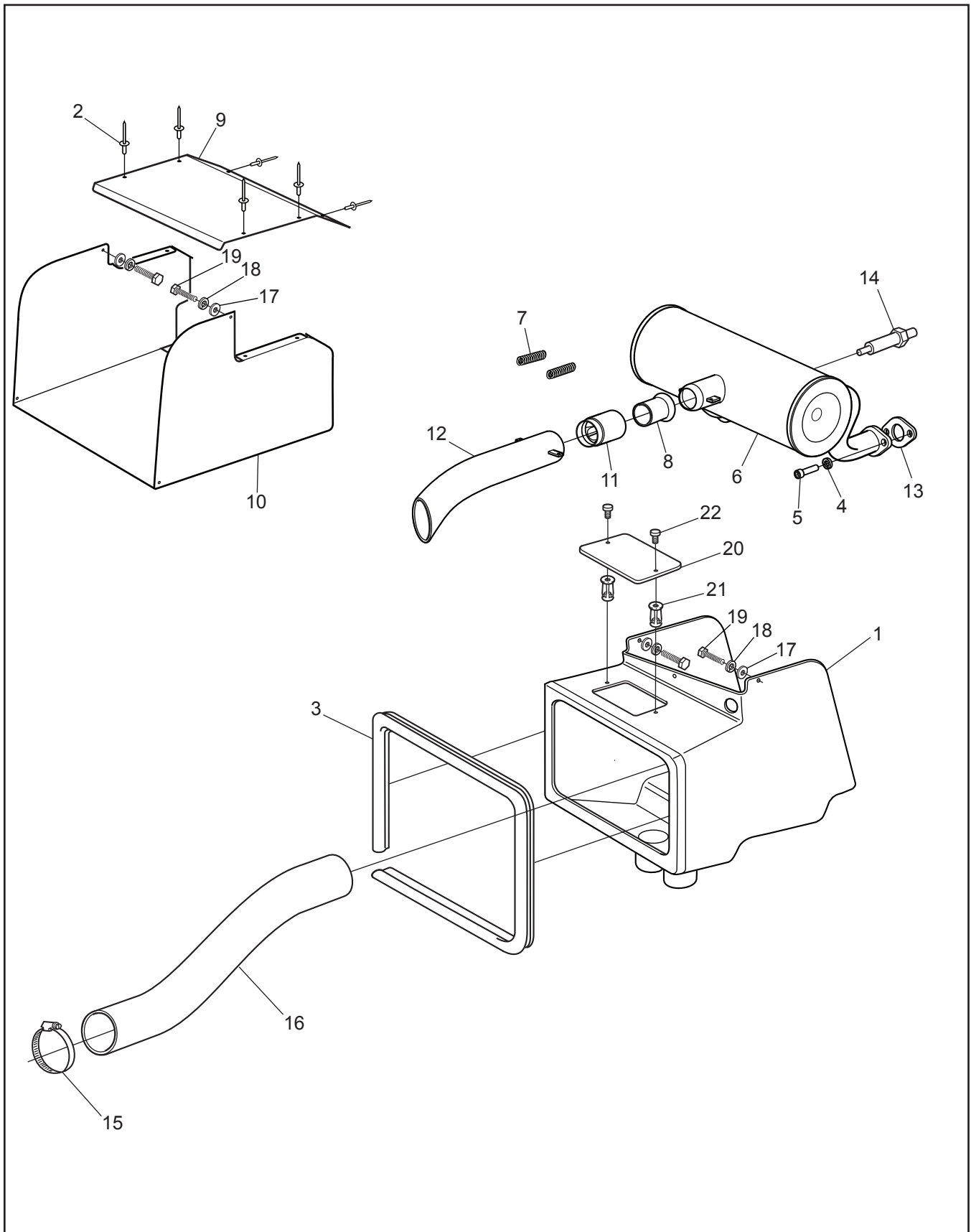


Ref.	Qty.	Part #	Description
1	1	0405-0075	Flange, Fixed
2	1	0410-0026	Flange, Sliding
3	1	0150-1014	Spring Guide Washer
4	1	0451-1114	Spring
5	1	0440-0005	Spring Cover
6	3	0080-0167	Lockwasher
7	3	0080-0021	Screw, Cap
8	3	0130-3012	Block
9	3	0135-3062	Weight (240gr) - EFI Model
	1	127-208	Weight Set (3), 185g - High Elevation
	1	127-209	Weight Set (3), 220g - High Elevation
	1	127-210	Weight Set (3), 240g - High Elevation
10	1	0115-0047	Cap
11	1	0080-0153	Washer, Zn
12	1	0080-0100	Nut
13	1	5905-0003	Flange, Fixed
14	1	0080-0164	Washer, Shim
15	1	5910-0002	Flange, Sliding
16	3	5930-3001	Cam Shoe
17	2	0080-0031	Screw
18	1	5951-1009	Spring
19	1	5950-3003	Spring Protector
20	1	5950-3002	Spring Support
21	1	0080-0216	Retaining Ring, Outside
22	2	0080-0167	Lockwasher
23	1	127-157	Clutch, Driver - EFI Models
24	2	0080-0035	Screw & Nut Ass'y
25	1	127-156	Clutch, Driven - INVANCE



Ref.	Qty.	Part #	Description
1	1	0405-0075	Flange, Fixed
2	1	0410-0026	Flange, Sliding
3	1	0150-1014	Spring Guide Washer
4	1	0451-1110	Spring
5	1	0440-0005	Spring Cover
6	3	0080-0167	Lockwasher
7	3	0080-0021	Screw, Cap
8	3	0130-3012	Block
9	3	0135-3065	Weight (275gr)
	1	127-208	Weight Set (3), 185g - High Elevation
	1	127-209	Weight Set (3), 220g - High Elevation
	1	127-210	Weight Set (3), 240g - High Elevation
10	1	0115-0047	Cap
11	1	0080-0153	Washer, Zn
12	1	0080-0100	Nut
13	1	5905-0003	Flange, Fixed
14	1	0080-0164	Washer, Shim
15	1	5910-0002	Flange, Sliding
16	3	5930-3001	Cam Shoe
17	2	0080-0031	Screw
18	1	5951-1009	Spring
19	1	5950-3003	Spring Protector
20	1	5950-3002	Spring Support
21	1	0080-0216	Retaining Ring, Outside
22	2	0080-0167	Lockwasher
23	1	610-125	Clutch, Driver - XTD
24	2	0080-0035	Screw & Nut Ass'y
25	1	127-156	Clutch, Driven - INVANCE

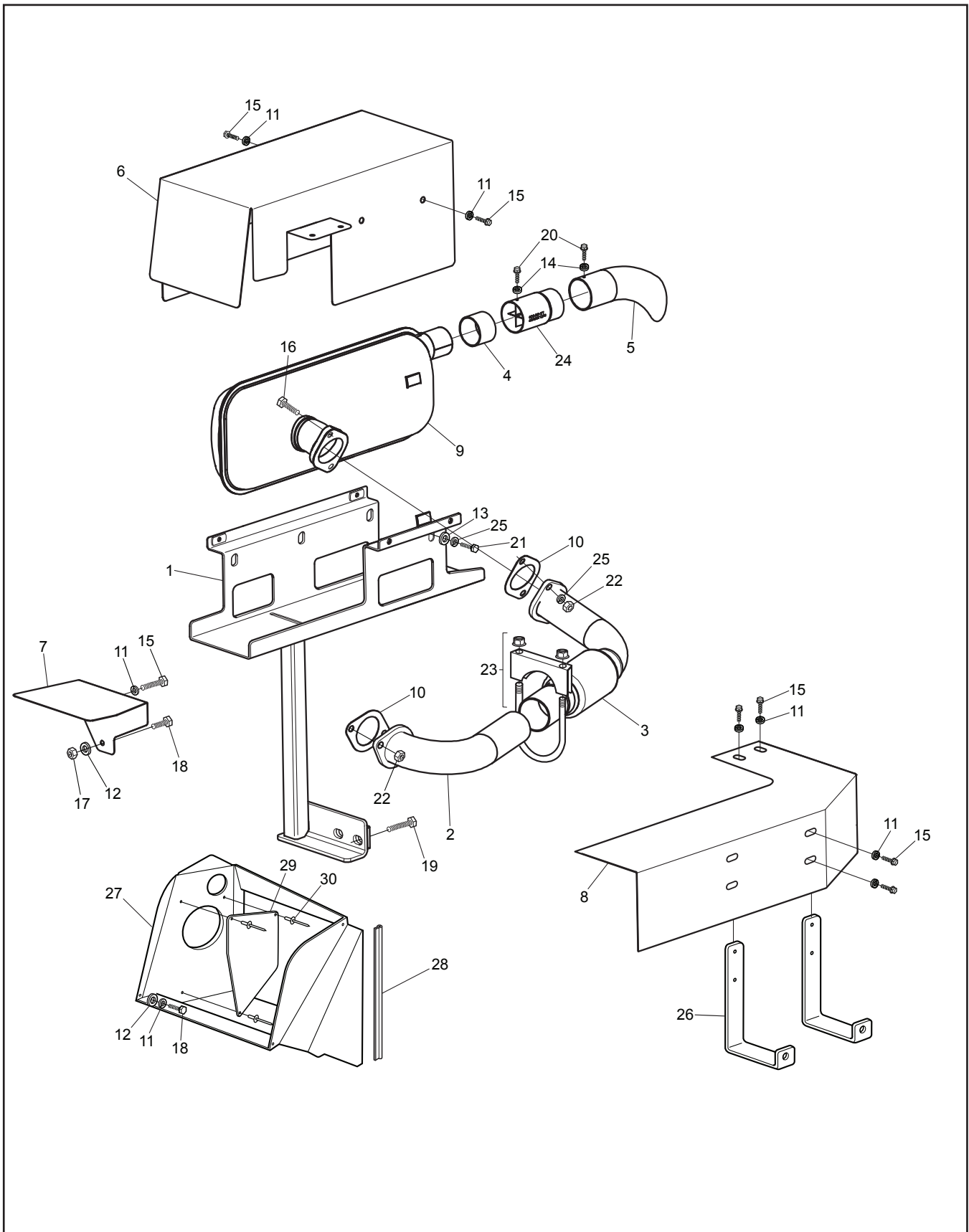
6.0 Intake and Exhaust System - XTI XTI/XTD Parts Manual



XTI/XTD Parts Manual 6.0 Intake and Exhaust System - XTI

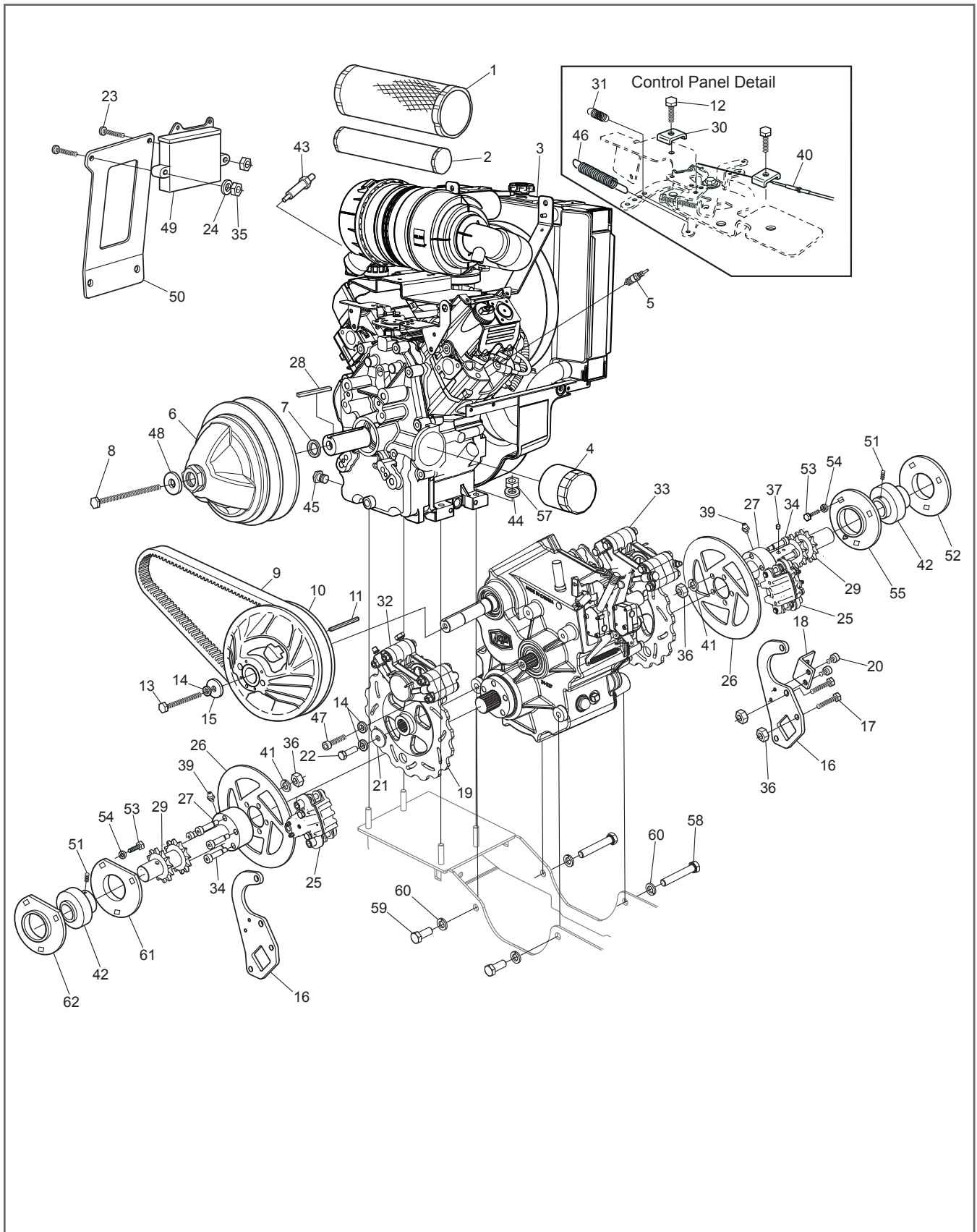
Ref.	Qty.	Part #	Description
1	1	951-13	Duct, Intake
2	6	120-31	Rivet, 3/16" x 1/4", Open End
3	2	809-166-50	Seal, 50" Long
4	4	108-05	Lockwasher 5/16 Split Ring Zn
5	4	112-30	SHCS M8 x 1,25 x 20mm Zn
6	1	952-118	Muffler, Kohler EFI XT
7	2	127-187	Spring, Extension - 17/32 x 3.75
8	1	607-135	Tube, Muffler, Flared x 2.0
9	1	953-38	Shield, Exhaust Upper XT
10	1	953-37	Duct, Exhaust XT
11	1	607-171	Spark Arrestor, ODG
12	1	607-134	Pipe, Tail - Ass'y
13	2	24 041 49	Gasket, Exhaust Manifold
14	1		See Section 7.0 Power Pack Assembly
15	1	100-128	Clamp, Gear 2.25"
16	1	848-194	Hose, Intake Flex 2" Dia. x 24"
17	4	108-104	Washer, 0.28ID x 1.0OD x 0.13, Blk
18	4	108-105	Lockwasher, 1/4 Split, Blk Zn
19	4	112-212	HHCS M6 x 1 x 25mm, Black Zn
20	1	952-237	Cover, Cleanout XT
21	2	117-53	Nut, Jack 1/4-20 8L-JNS Zn
22	2	117-89	Thumbscrew, 1/4-20x1, Nylon

6.0 Intake and Exhaust System - XTD XTI/XTD Parts Manual

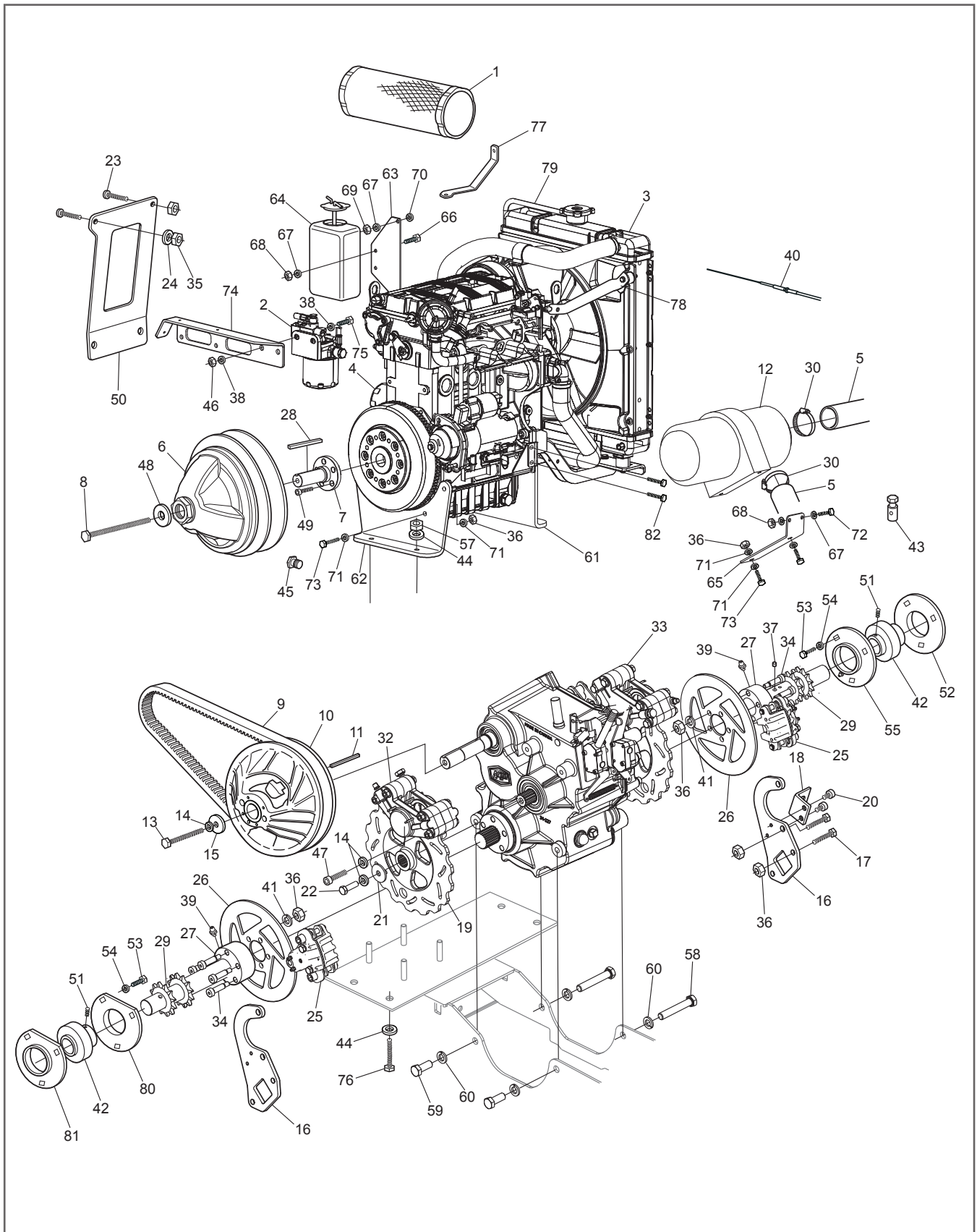


XTI/XTD Parts Manual 6.0 Intake and Exhaust System - XTD

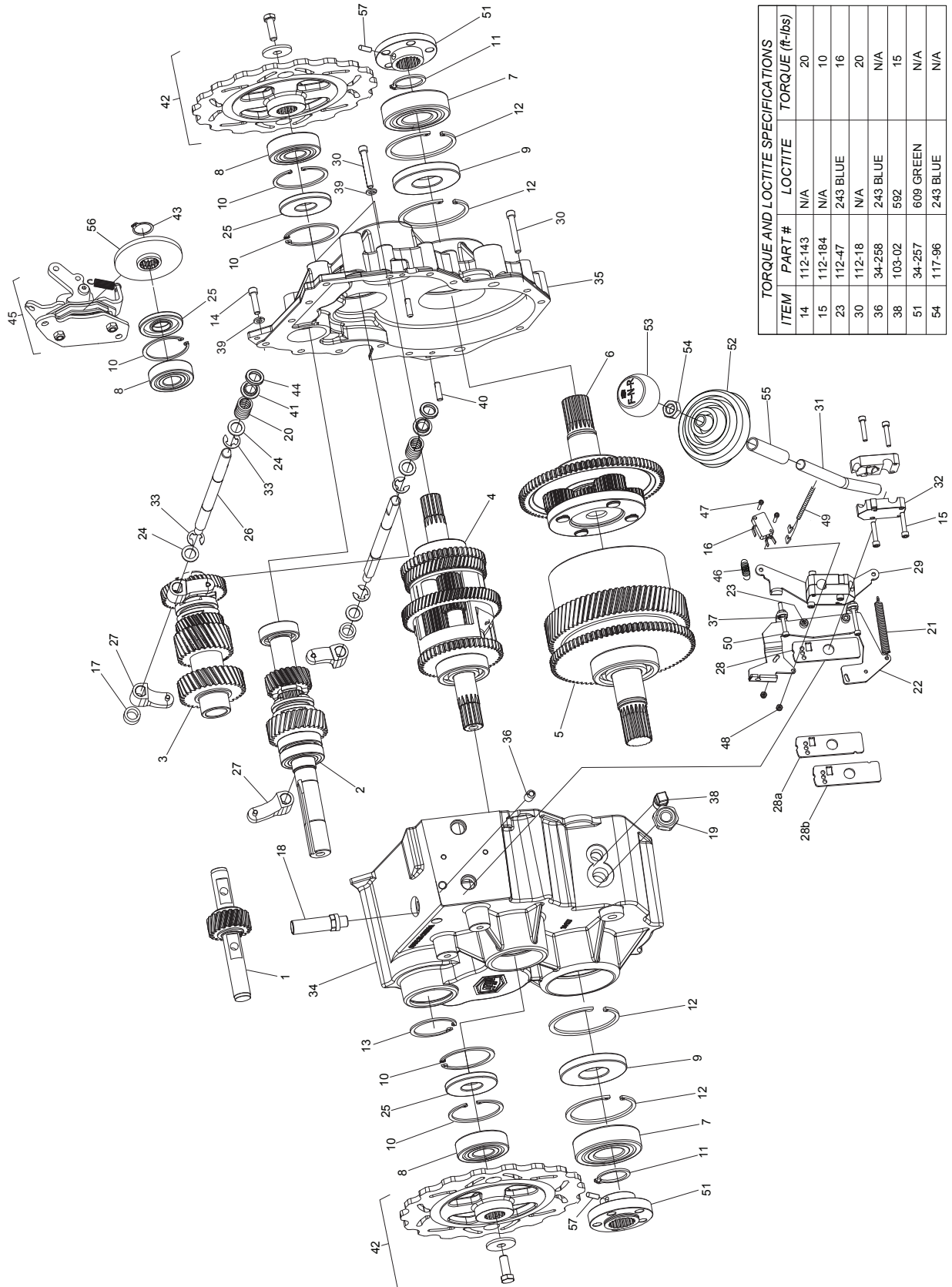
Ref.	Qty.	Part #	Description
1	1	950-42	Wldmt, Muffler Support XTD
2	1	950-44	Wldmt, Exhaust Engine XTD
3	1	950-45	Wldmt, Exhaust Muffler XTD
4	1	952-252	Tube, 1-5/8 OD x 1-1/8
5	1	952-253	Pipe, Tail 60 Deg x 5.5
6	1	953-70	Duct, Exhaust XTD
7	1	953-82	Shield, Oil Filter XTD
8	1	953-93	Shield, Exhaust XTD
9	1	953-88	Muffler, Kohler XTD
10	2	953-89	Gasket, Exhaust Flange XTD
11	14	108-03	Lockwasher 1/4 Split Ring Zn
12	4	108-08	Washer .28x.62x.07 Zn
13	4	108-24	Washer .34x.70x.06 Zn
14	2	108-86	Lockwasher #10 Ext Tooth Zn
15	11	112-19	Screw, IHWH T/C Slot 1/4-20x1/2
16	2	112-20	HHCS M8x1,25x25mm Zn
17	1	112-115	Locknut, Nylon M6x1 Zn
18	4	112-118	HHCS M6x1,0x15mm
19	2	112-133	HHCS M10x1,5x35mm Zn
20	2	112-168	Screw, IHWH #10 x 3/8
21	4	112-234	HHCS M8x1,25x12mm Zn
22	4	117-73	Nut M8x1,25 Zn
23	1	607-195	Clamp, Muffler 1-7/8" Dia
24	1	607-171	Spark Arrestor, ODG
25	6	108-05	Lockwasher 5/16 Split Ring Zn
26	2	953-94	Bracket, Exhaust Shield XTD
27	1	950-46	Intake Plenum - XTD
28	4	809-167RM	Seal, Radiator Baffle - Top 14.5" Long
29	1	953-79	Cover, Intake Plenum - XTD
30	3	120-13	Rivet - 3/16 x 3/4 Black
31	1	953-95	Bracket, Exhaust - XTD



Ref.	Qty.	Part #	Description	Ref.	Qty.	Part #	Description
1	1	25 083 01	Filter, Air	37	1	613-127	Magnet, Speedometer
2	1	25 083 04	Element, Inner	39	2	100-127	Fitting, Grease STR 1/4-28 TPR
3	1	LH775-3012	Kohler 30 HP Engine, EFI	40	1	612-135	Cable Asm., Throttle, XT
4	1	12 050 01	Filter, Oil	41	11	108-05	Lockwasher 5/16 Split- Ring Zn
5		127-193	Sparkplug, RC14YC	42	2	101-95	Bearing, Ball-1.25x72mm
6			See Section 4.0 Clutch System	43	1	24 418 05	Sensor, Oxygen
7	1	108-84	Washer, Engine Clutch	44	4	108-26	Washer, .43x1.02x.09 Zn
8	1	112-160	HHCS, 7/16-20 x 5.0" Lg	45		112-156	Plug, Oil Drain 3/8-18 NPT Hex
9	1	127-137HD	Drive Belt - Avg/HDi Heavy Duty	46	1	24 089 46	Spring, Governer (Kohler #)
10			See Section 4.0 Clutch System	47	4	103-41	SHCS 3/8-16x1.25 Zn
11	1	110-03	Key 1/4 x 3/16 x 2.375 RC46	48	1	108-58	Washer, .47 x 1.37 x 12 Hi-Carbon
12	1	M-545016	Screw, Clamp Cable (Kohler #)	49	1	66 584 05	ECU (c/w engine)
13	1	112-164	HHCS 3/8-16 x 3.5 Gr5 Zn	50	1	952-168	Bracket, ECM XT
14	7	108-06	Lockwasher 3/8 Split Ring Zn	51	4	103-110	Set Screw, Cup, 5/16-24 x 1/2
15	1	108-46	Washer .40 x 1.37 x 1.2 Hi- Carbon	52	1	953-17	Flange, 72mm Bearing, CLR Zn
16	2	953-01	Mount, Service Brake Caliper	53	6	112-137	HHCS M10x1,25x20mm Zn
17	4	112-20	HHCS M8x1,25x25mm Zn	54	6	108-67	Lockwasher M10 Split- Ring Zn
18	1	953-09	Bracket, Speedo Mount	55	1	953-18	Flange, 72Mm, W/ Grease Fitting
19	2	165-22	Disc, Brake - Admiral	56	2	100-64	Tie Wrap - 5.5" - Black
20	2	112-203	SHCS 1/4-20x1/4 Zn	57	4	117-29	Locknut, Nylon 3/8-16 Zn
21	2	108-18	Washer .40 x 1.37 x .12 Zn	58	2	112-190	HHCS 1/2-13x3.00 Gr5 Zn
22	2	103-60	HHCS 3/8-24 x 1 Gr5 Zn	59	2	112-189	HHCS 1/2-13x1.25 Gr5 Zn
23	2	112-225	RHMS, 10-24 x 2.0 Zn	60	4	108-107	Lockwasher, 1/2", High Alloy
24	2	120-04	Washer .19x.50x.08 Zn	61	1	952-259	Bearing Flange, Grease W/Trim
25			See Section 9.0 Steering & Brake System	62	1	952-260	Bearing Flange, W/Trim
26	2	165-25	Disc, Brake, Service				
27	2	810-117	Coupler, Idler Shaft				
28	1	110-18	Key 1/4 x 1/4 x 1.75				
29	2	810-119	Shaft, Output, #60-10T				
30	1	12 237 01	Clamp, Cable (Kohler #)				
31	1	24 089 51	Spring, Throttle (Kohler #)				
32			See Section 9.0 Steering & Brake System				
33			See Section 9.0 Steering & Brake System				
34	10	112-201	Bolt, Shoulder M10 x 45				
35	2	117-10	Locknut, 10-24 N/I Zn				
36	18	117-77	Locknut, Nylon - M8 x 1,25mm Zn8				



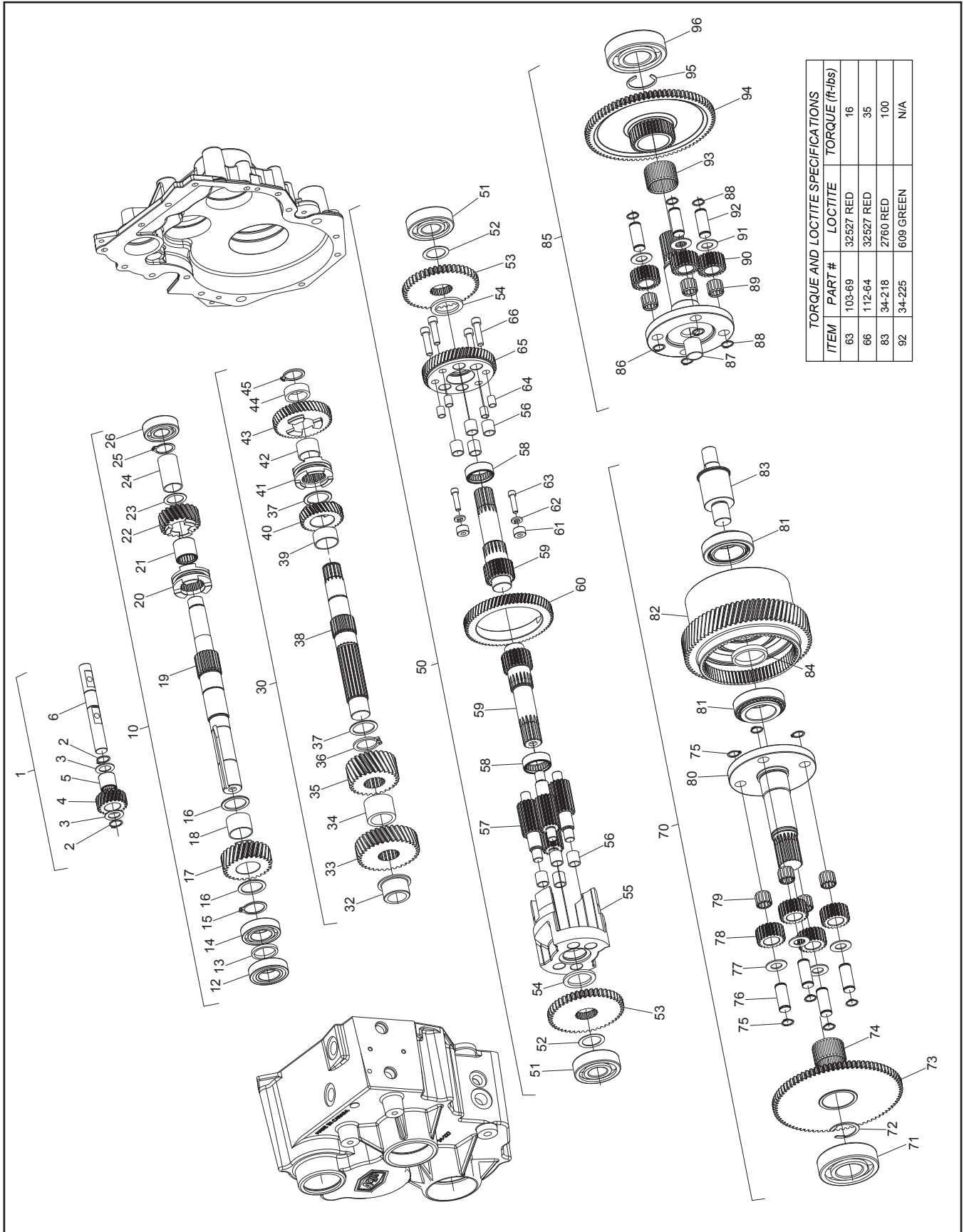
Ref.	Qty.	Part #	Description	Ref.	Qty.	Part #	Description
1	1	ED0021751240-S	Filter, Air	45		112-156	Plug, Oil Drain 3/8-18 NPT Hex
2	1	ED0021752880-S	Filter, Fuel	46	2	117-60	Locknut, Nyloc M10x1.5mm Zn
3	1	KDW1003-5025	Kohler 24HP Engine, Diesel	47	4	103-41	SHCS 3/8-16x1.25 Zn
4	1	ED0021752850-S	Filter, Oil	48	1	108-58	Washer, .47 x 1.37 x 12 Hi-Carbon
5	2	848-194	Hose, Intake Flex 2"Dia x 24"	49	5	112-179	SHCS M10x1,25x40
6			See Section 4.0 Clutch System	50	1	952-168	Bracket, ECM XT
7	1	953-67	Shaft, PTO - XTD	51	4	103-110	Set Screw, Cup, 5/16-24 x 1/2
8	1	112-160	HHCS, 7/16-20 x 5.0" Lg	52	2	953-17	Flange, 72mm Bearing, CLR Zn
9	1	127-159HD	Drive Belt - Frontier Heavy Duty	53	6	112-137	HHCS M10x1,25x20mm Zn
10			See Section 4.0 Clutch System	54	6	108-67	Lockwasher M10 Split-Ring Zn
11	1	110-03	Key 1/4 x 3/16 x 2.375 RC46	55	2	953-18	Flange, 72Mm, W/ Grease Fitting
12	1	ED0037004560-S	Air Cleaner	56	4	100-64	Tie Wrap - 5.5" - Black
13	1	112-164	HHCS 3/8-16 x 3.5 Gr5 Zn	57	4	117-66	Locknut, Nylon 1/2-13Zn
14	7	108-06	Lockwasher 3/8 Split Ring Zn	58	2	112-190	HHCS 1/2-13x3.00 Gr5 Zn
15	1	108-46	Washer .40 x 1.37 x 1.2 Hi-Carbon	59	2	112-189	HHCS 1/2-13x1.25 Gr5 Zn
16	2	953-01	Mount, Service Brake Caliper	60	4	108-107	Lockwasher, 1/2", High Alloy
17	4	112-20	HHCS M8x1,25x25mm Zn	61	1	953-68	Support, Engine RH-XTD
18	1	953-09	Bracket, Speedo Mount	62	1	953-69	Support, Engine LH-XTD
19	2	165-22	Disc, Brake - Admiral	63	1	953-81	Mount, Overflow Bottle-XTD
20	2	112-203	SHCS 1/4-20x1/4 Zn	64	1	82019-60000	Overflow Tank Kit
21	2	108-18	Washer .40 x 1.37 x .12 Zn	65	1	953-77	Mount, Air Filter - XTD
22	2	103-60	HHCS 3/8-24 x 1 Gr5 Zn	66	3	112-118	HHCS M6x1,0x15mm
23	2	112-225	RHMS, 10-24 x 2.0 Zn	67	5	108-08	Washer .28x.62x.07 Zn
24	2	120-04	Washer .19x.50x.08 Zn	68	4	112-115	Locknut, Nylon M6x1 Zn
25			See Section 9.0 Steering & Brake System	69	1	117-63	Nut, Hex M6x1,0 Zn
26	2	165-25	Disc, Brake, Service	70	1	108-03	Lockwasher 1/4 Split Ring Zn
27	2	810-117	Coupler, Idler Shaft	71	4	108-24	Washer .34x.70x.06 Zn
28	1	110-18	Key 1/4 x 1/4 x 1.75	72	2	112-98	HHCS M6 x 1 x 40mm Zn
29	2	810-119	Shaft, Output, #60-10T	73	6	112-233	HHCS M8x1,25x30mm Gr8.8 Zn
30	3	100-128	Clamp, Gear 2.25"	74	1	953-75	Mount, Fuel Filter - XTD
31	1	ED0021000890-S	Glow Plug	75	2	112-133	HHCS M10x1,5x35mmZn
32			See Section 9.0 Steering & Brake System	76	4	112-237	HHCS 1/2-13x1.75 Gr5 Zn
33			See Section 9.0 Steering & Brake System	77	1	953-90	Rad Support, Fwd - XTD
34	10	112-201	Bolt, Shoulder M10 x 45	78	1	953-91	Rad Support, Rear - XTD
35	2	117-10	Locknut, 10-24 N/I Zn	79	1	127-160-10	Tubing, 1/4"ID - 10" Long
36	18	117-77	Locknut, Nylon - M8x 1,25mm Zn	80	1	952-259	Bearing Flange, Grease W/Trim
37	1	613-127	Magnet, Speedometer	81	1	952-260	Bearing Flange, W/Trim
38	4	108-15	Washer .42x.81x.05 Zn	82	2	112-248	HHCS M12x1,75x35mm 8.8 Zn
39	2	100-127	Fitting, Grease STR 1/4-28 TPR				
40	1	612-136	Cable Asm., Throttle, XTD				
41	11	108-05	Lockwasher 5/16 Split-Ring Zn				
42	2	101-95	Bearing, Ball-1.25x72mm				
43	1	ED0058301190-S	Clamp, Cable				
44	8	108-103	Washer, 0.51x0.94x0.10 Zn				



Ref.	Qty.	Part #	Description	Ref.	Qty.	Part #	Description
1-6	1	34-200-7.3 -FG	Transmission Admiral 7.3 Ratio See Section 1.1 Trans. Sub Assemblies	49	1	613-112	Wire Harness, Neutral Start
7	2	101-81	Bearing, Ball 6307 ZZE	50	2	112-195	SHCS 8-32 x 1.5 Stainless
8	3	101-86	Bearing, Ball 6305 Zz	51	2	34-262	Coupler, Output Shaft, Pinned
9	2	102-33	Seal, Oil 35x80x10	52	1	609-44	Boot, F-N-R Shifter
10	5	106-05	Retaining Ring HO-244-PA	53	1	127-226	Knob, Shift F-N-R - HD
11	2	106-23	Retaining Ring SH-0137-PA	54	1	117-96	Nut, Jam 1/2-13
12	4	106-24	Retaining Ring H0-312-PA	55	1	127-229	Sleeve, Insulating - 1.25"
13	1	106-26	Retaining Ring H0-206-PA	56	1	165-52	Rotor, E-Brake
14	10	112-143	SHCS 5/16 x 1.25 Zn	57	2	104-75	Pin, Spring, 3/16x13/16 Zn
15	8	112-184	SHCS, 10-32 x 1				
16	1	613-151	Switch, Micro, Roller Lever				
17	2	114-21	Spacer, .51x.75x.36				
18	1	34-245	Plug, Fill/Vent 1/2 BSPP				
19	1	34-251	Site Glass, 1/2 BSP Aluminum				
20	2	127-186	Spring, Comp. 0.70x1.28				
21	1	127-194	Spring, Ext .360x3.0				
22	1	34-241	Bracket, Switch, Spring Mount				
23	2	112-47	SHCS 1/4-20 x 1.0 Zn				
24	3	108-35	Washer .53x1.06x.09 Zn				
25	3	102-37	Seal, Oil 25x62x7				
26	2	34-231	Shaft, Shift - F-N-R				
27	4	34-232	Fork, Shift - Half				
28	1	34-233	Plate, Detent				
28a	1	34-233L	Plate, Detent, Left Adj.				
28b	1	34-233R	Plate, Detent, Right Adj.				
29	1	34-242	Bracket, Spring Mount				
30	8	112-18	SHCS 5/16x2.25				
31	1	34-259	Lever, XTI, F-N-R				
32	4	34-236	Clamp, Lever Shaft				
33	3	106-30	Retaining Ring E-0050 E				
34	1	34-227	Housing, Admiral, Left (includes Ref. # 36)				
35	1	34-228	Housing, Admiral, Right				
36	1	34-258	Plunger, Ball - Nose Spring				
37	4	117-92	Nut, Hex Machine #8-32 Zn				
38	1	103-02	Plug, Magnetic 3/8-18Npt Sq. Hd				
39	11	108-05	Lockwasher 5/16 Split-Ring Zn				
40	2	104-03	Pin, Dowel 1/4x7/8				
41	2	105-33	Bushing, Flange				
42			See Section 7.0 Power Pack				
43	1	106-29	Retaining Ring SH-0093-PA				
44	2	102-36	Seal, Shift Shaft - 0.5 x .75 x .125				
45			See Section 10.0 Parking Brake				
46	1	127-195	Spring, Ext., .75 x 2.73				
47	2	112-172	SHCS 5-40 x 3/4 Zn				
48	2	112-173	Locknut, #5-40 Zn				

8.1 Transmission Sub-Assemblies

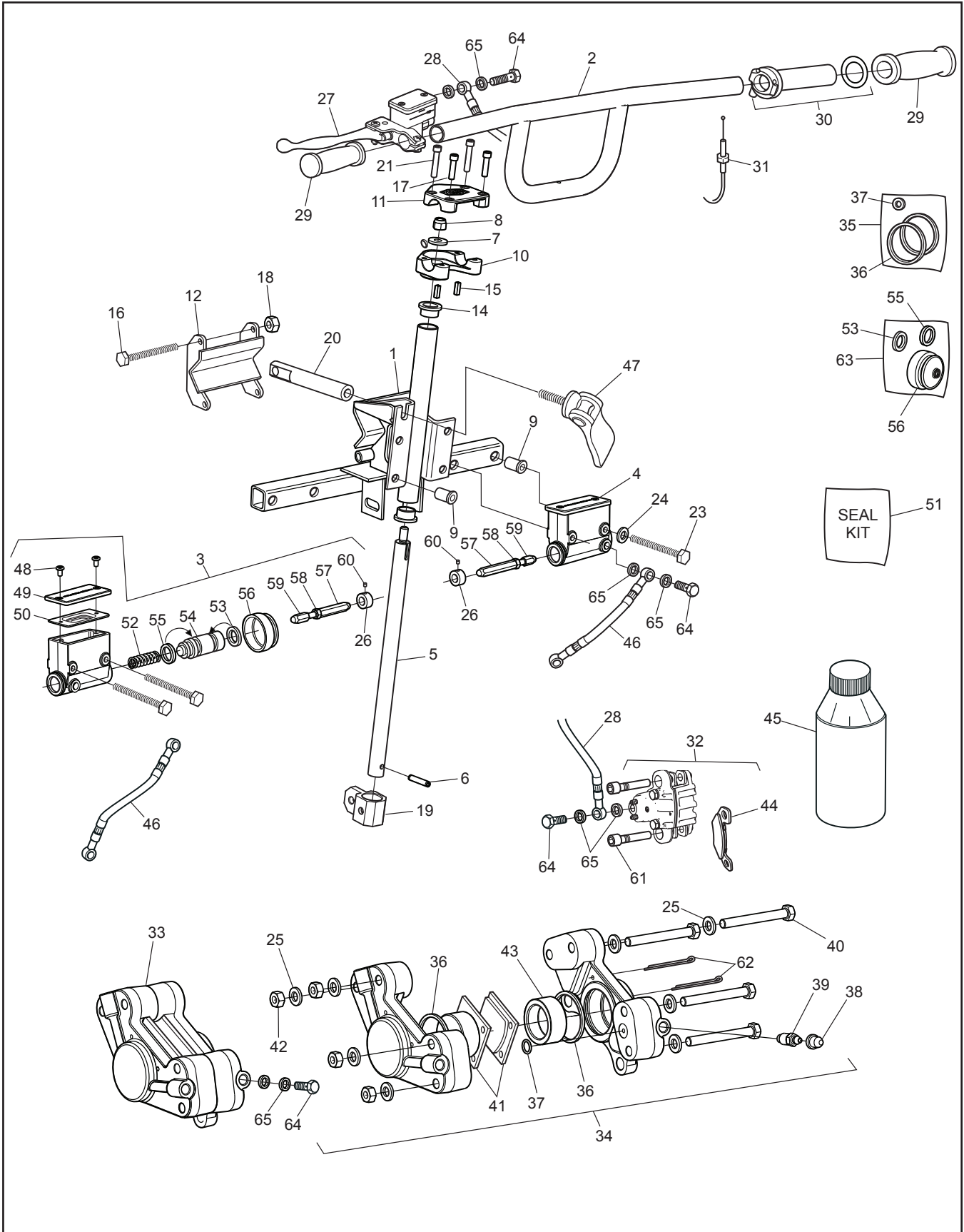
XTI/XTD Parts Manual



Ref.	Qty.	Part #	Description	Ref.	Qty.	Part #	Description
1	1	34-290	Asm, Reverse Shaft - Adm. includes:	60	1	34-205	Gear, Helical - 67T
2	2	106-25	Retaining Ring SH-0078-PA	61	2	105-28	Bushing, Dowel .26x.625x.36
3	2	108-99	Washer, Thrust .79x1.25 x .06	62	2	108-03	Lockwasher 1/4 Split Ring Zn
4	1	34-220	Pinion, Idler - 20T	63	2	103-69	SHCS, 1/4-20 x 1.5 Zn
5	1	101-87	Bearing, Needle HMK20x27x25	64	4	105-23	Bushing, Dowel - .312 x .5
6	1	34-221	Shaft, Shift - Reverse	65	1	34-204	Gear, Helical - 55T
10	1	34-291-7.3	Asm, Input Shaft includes:	66	4	112-64	SHCS 5/16 x 18 x 1.25
12	1	101-89	Bearing, Ball 60/28 Llu	70	1	34-294	Asm, Output Shaft LH-Adm. includes
13	1	114-19	Spacer, 1.12x1.375x.148	71	1	101-73	Bearing, Ball 6307 CL.N.
14	1	101-88	Bearing, Ball 60/28	72	1	106-31	Retaining Ring C-0137
15	1	106-27	Retaining Ring SH-112-PA	73	1	34-207	Gear, Sun - 81T, 35T
16	2	108-98	Washer, Thrust 1.13x1.46x.062	74	1	101-83	Bearing, Needle KJ37x42x27S
17	1	34-215	Pinion, For.-27T,12Dp-7.3 Ratio	75	8	106-22	Retaining Ring SH-0056-PA
18	1	105-32	Bushing, Bronze 1.125x1.25x.875	76	4	34-225	Pin, Planet Carrier
19	1	34-213	Shaft, Input	77	4	108-93	Washer, .59x1.10x.06
20	1	34-224	Collar, Shift, For-Rev	78	4	34-217	Gear, Planet - 21T
21	1	101-90	Bearing, Needle HK2220	79	4	101-82	Bearing, Needle KM J15x21x17S
22	1	34-214	Pinion, Reverse - 21T,12Dp	80	1	34-263	Carrier Shaft, Grooved LH
23	1	114-17	Washer, Thrust .866x1.181x.039	81	2	101-76	Bearing, Tapered Roller 32008X
24	1	114-18	Spacer, .865x1.0x1.75	82	1	34-219	Planetary Hub
25	1	106-25	Retaining Ring SH-0078-PA	83	1	34-218	Shaft, Planetary Stub
26	1	101-01	Bearing, Ball 6204Z-C3	84	1	114-22	Spacer, 1.585x1.75x.245
30	1	34-295-7.3	Asm, Idler Shaft includes:	85	1	34-293	Asm, Output Shaft RH - Adm. includes:
32	1	105-30	Bushing, Flanged 1x1.375	86	1	34-264	Carrier Shaft, Grooved RH
33	1	34-211	Gear, Helical - 35T- 7.3 Ratio	87	1	105-26	Bushing, Oilite .75x.875x.875
34	1	108-96	Spacer, 1.125x1.5x1.083	88	8	106-22	Retaining Ring SH-0056-PA
35	1	34-209	Pinion, Helical - 27T	89	4	101-82	Bearing, Needle KM J15x21x17S
36	1	106-28	Retaining Ring SHR-0112-PA	90	4	34-217	Gear, Planet - 21T
37	2	108-98	Washer, Thrust 1.13x1.46x.062	91	4	108-93	Washer, .59x1.10x.06
38	1	34-208	Shaft, Idler	92	4	34-225	Pin, Planet Carrier
39	1	105-31	Bushing, Bronze 1.125x1.25x.625	93	1	101-83	Bearing, Needle KJ37x42x27S
40	1	34-210	Pinion, Helical - 31T	94	1	34-207	Gear, Sun - 81T, 35T
41	1	34-223	Collar, Shift, Hi-Low	95	1	106-31	Retaining Ring C-0137
42	1	105-29	Bushing, Oilite 1.0x1.125x.75	96	1	101-73	Bearing, Ball 6307 CL.N.
43	1	34-212	Pinion, Helical - 45T				
44	1	108-97	Spacer, 1.01x1.3x.409				
45	1	107-15	Retaining Ring SHR-98-PA				
50	1	34-292	Asm, Differential - Adm. includes:				
51	2	101-40	Bearing, Ball 6305 Open				
52	2	114-16	Washer, SHIM .99x1.375x.030				
53	2	34-203	Pinion, Spur - 46T				
54	2	108-94	Washer, Thrust 1.25x1.688x.125				
55	1	34-206	Cage, Differential				
56	8	105-27	Bushing, Oilite .5x.625x.625				
57	4	34-202	Gear, Planet - 15T				
58	2	101-84	Bearing, Needle HK3012				
59	2	34-201	Shaft, Brake				

9.0 Steering & Brake System

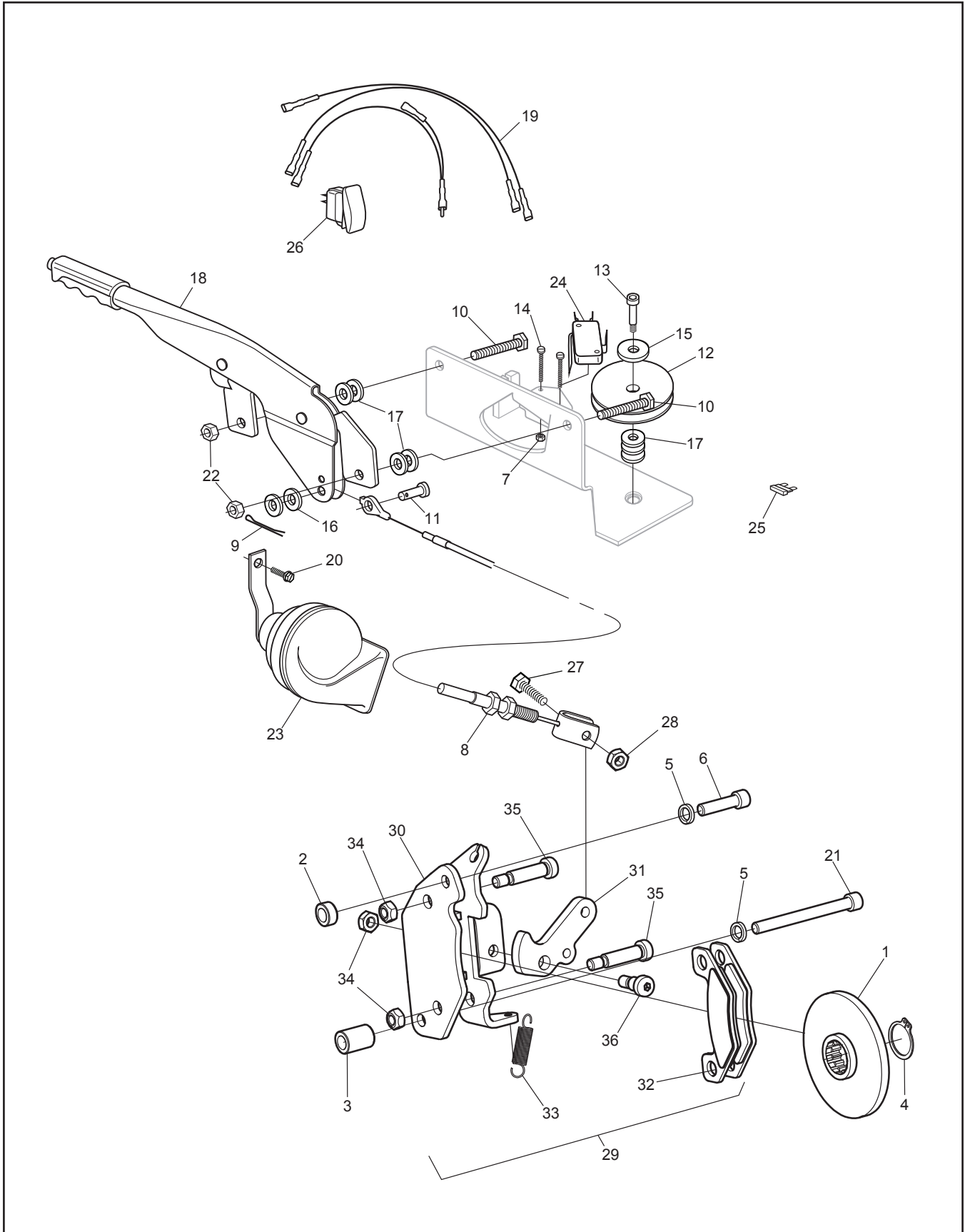
XTI/XTD Parts Manual



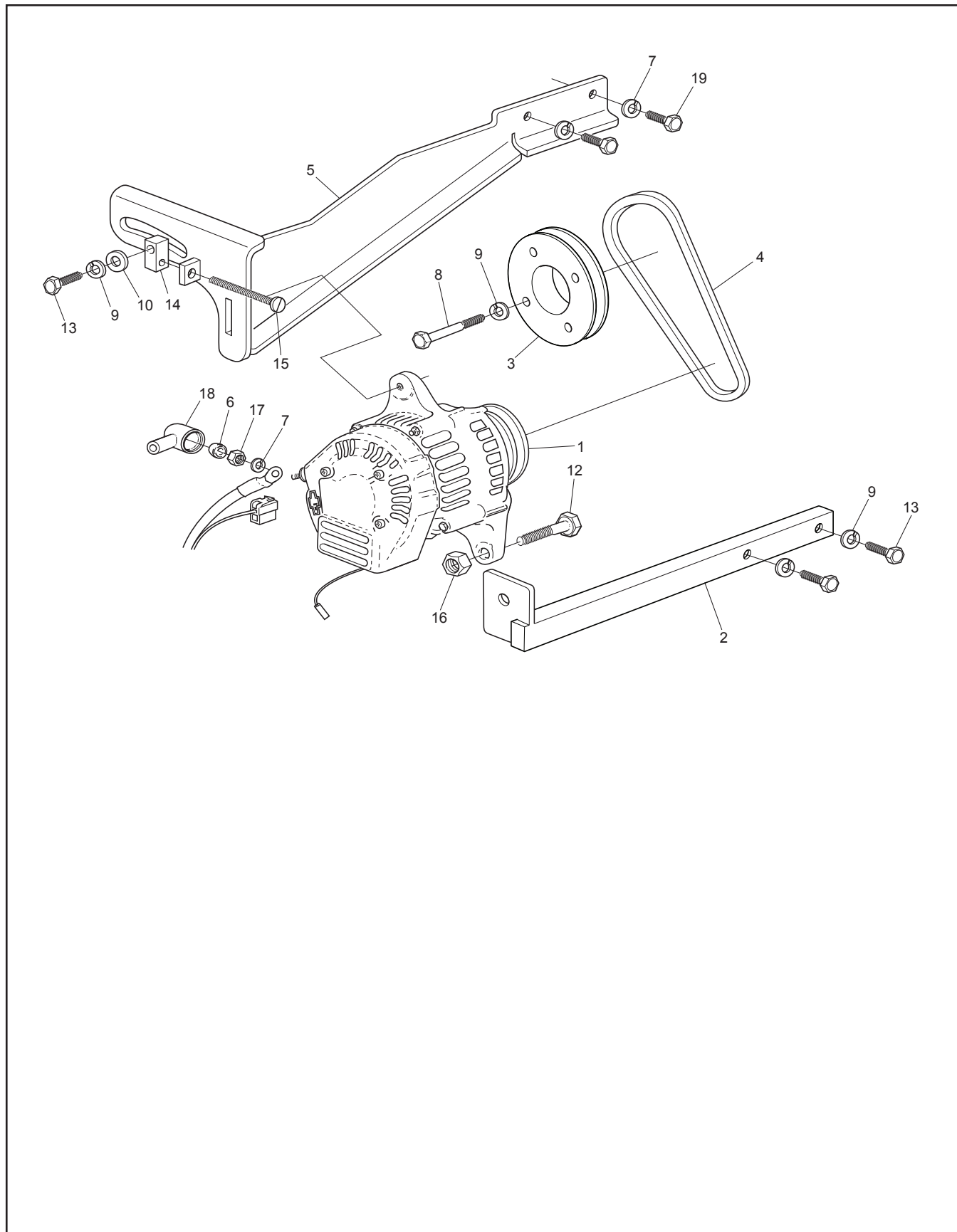
Ref.	Qty.	Part #	Description	Ref.	Qty.	Part #	Description
1	1	950-12	Wldt, Steering Base	46	2	163-07	Hose Asm, Steering - XT
2	1	612-107	Handlebar Assembly	47	1	953-03	Handle, Quick Cam
3	1	165-08	Master Cylinder, Grimeca - R	48	2x2	160-42	Screw, FHMS
4	1	165-07	Master Cylinder, Grimeca - L				M5 x 0,8 x 6mm
5	1	953-10	Shaft, Steering - XTI	49	2x1	168-08	Cover
6	1	104-42	Pin, Spring 1/4 x 1.5"	50	2x1	168-09	Cover, Rubber
7	2	108-47	Washer, .39 x .94 x .13 Zn Di-chr	51	1	165-37	Piston Seal Kit - Wilwood
8	2	117-29	Locknut, Nylon 3/8-16 Zn	52	2x1	162-08	Spring, Comp. 17.3 x 49.3mm
9	8	117-79	Insert, M6 x 1,0 -10 mm OD	53	2x1		Seal, Primary, 19mm (See Ref. 63)
10	1	612-106	Clamp, Lower Handlebar	54	2x1	168-10	Piston 19mm dia.
11	1	612-105	Clamp, Upper Handlebar	55	2x1		Seal, Secondary, 19mm (See Ref. 63)
12	1	950-11	Wldt, Steering Bracket	56	2x1		Boot, Rubber (See Ref. 63)
14	2	105-16	Bushing, Oilite - 3/4 x 1/2	57	2	953-02	Pin, Female, Steering
15	2	110-17	Key, 3/16 x 3/16 x .625	58	2	117-03	Nut, Fin Hex 1/4-20 Zn
16	2	103-111	HHCS 1/4-20 x 3.5 Zn	59	2	812-31	Fin, Male
17	2	112-47	SHCS, 1/4-20 x 1.0 Zn	60	2	112-02	SHSS 10-24x1/4 Knurl Cup PT, PL
18	2	117-27	Locknut, Nylon 1/4-20 Zn	61	4	165-38	Caliper Pin, Service Brake HDi
19	1	953-06	Actuator, Steering	62	2x2	168-07	Pin, Cotter 1/8 x 3.00 Zn
20	1	953-07	Nut, Toggle	63	2x1	161-25	O-Ring Kit - Master Cylinder (incl. Ref. 53, 55 & 56)
21	2	103-69	SHCS 1/4-20 x 1.5 Zn	64	7	160-44	Bolt, Banjo - M10 x 1,0 x 21,0
22	1	126-93	Clamp, Nylon Wire - 1/2" ID	65	14	160-01	Washer, Copper - 1,5 x 10,0 x 14,0
23	4	112-114	HHCS M6 x 1 x 60mm Zn	66	1	120-13	Rivet, 3/16 x 3/4 Black
24	4	108-68	Lockwasher, Hi-Collar M6 Zn				
25	2x8	108-24	Washer, .34 x .70 x .06 Zn				
26	2	812-17	Collar				
27	1	165-31	Handbrake, Left Hydraulic				
28	1	163-08	Hose, Service Brake, XT				
29	2	127-35	Grip, Molded				
30	1	127-81	Throttle Twist Grip				
31	1	612-135	Cable Asm., Throttle, XTI				
		612-136	Cable Asm., Throttle, XTD				
32	2	165-32	Caliper, Service (includes Ref. 44 & 61)				
33	1	166-10	Caliper, Hydraulic Brake - L w/o pads				
34	1	166-11	Caliper, Hydraulic Brake - R w/o pads				
35	2	161-05	O-ring Kit, Knott Caliper				
36	4		Seal, Piston				
37	2		Seal, Rubber				
38	2x1	168-20	Plug, Rubber				
39	2x1	168-02	Screw, Bleeding, Knott Caliper				
40	2x4	103-55	HHCS, 5/16-18 x 2.75 Gr Zn				
41	1	170-03	Pad Set (4), Brake - Non-Asbestos				
42	2x4	117-03	Nut, Fin Hex 5/16-18 Zn				
43	2x2	168-01	Piston, Knott Caliper				
44	1	165-36	Brake Pad (4) Replacement - Kit				
45		126-19	Fluid, Brake-Silicon Dot 5 - .35L				

10.0 Parking Brake

XTI/XTD Parts Manual

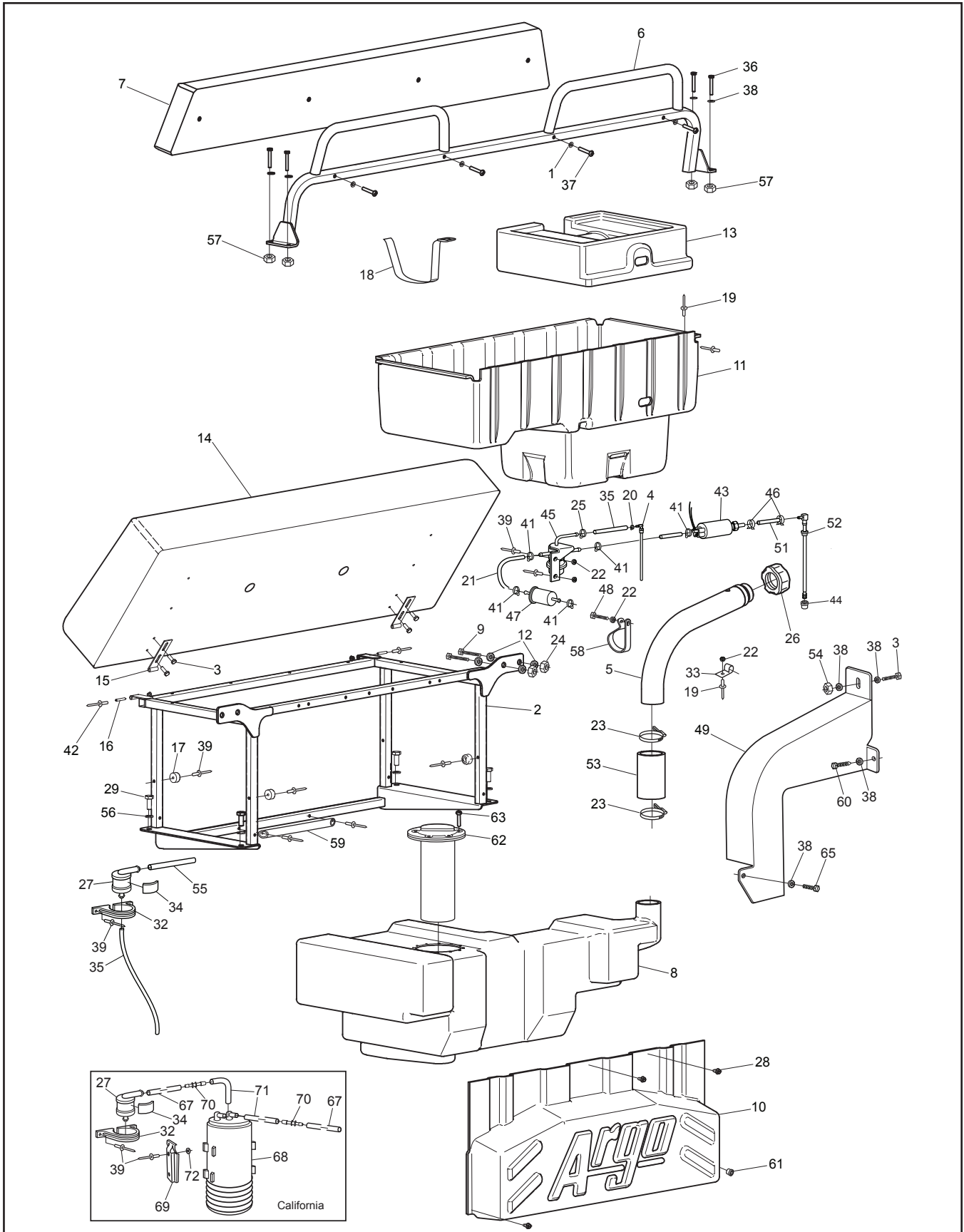


Ref.	Qty.	Part #	Description
1	1	165-52	Rotor, E-Brake
2	1	165-49	Spacer, ID.39 x OD.63 x .295
3	1	165-48	Spacer, ID.39 x OD.63 x .90
4	1	106-29	Retaining Ring SH-0093-PA
5	2	108-05	Lockwasher 5/16 Split-Ring Zn
6	1	112-143	SHCS 5/16 x 1.25 Zn
7	2	112-173	Locknut, #5-40, Zn
8	1	850-81	Cable, Parking Brake
9	1	100-100	Pin, Cotter 1/8x3/4 Zn
10	2	103-06	HHCS 5/16-18x1.0 Gr5 Zn
11	1	104-27	Pin, Clevis 5/16x.75" Zn
12	1	850-79	Pulley, Parking Brake Cable
13	1	112-178	Bolt, Shoulder, 1/2 x 5/8
14	2	112-172	SHCS 5-40 x 3/4 Zn
15	1	108-35	Washer .53 x 1.06 x .09 Zn
16	2	108-24	Washer .34x.70x.06 Zn
17	7	108-47	Washer .39x.94x.13 Zn Di-Chro
18	1	809-147	Lever, Parking Brake
19	1	848-176	Harness, Horn Momentary*
20	1	112-19	Screw,IHWH T/C Slot 1/4-20x1/2*
21	1	112-228	SHCS 5/16-18 x 3.25 Zn
22	2	117-21	Locknut, Nylon 5/16-18 Zn
23	1	848-87	Horn, Electric*
24	1	613-120	Switch, Micro, Lever
25	1	118-52	Fuse, 10A 2-Prong (AT010)*
26	1	848-175	Switch, Horn Momentary*
27	1	103-08	HHCS 1/4-20 x 1.0 Zn
28	1	117-27	Locknut, Nylon 1/4-20 Zn
29	1	165-50	Caliper, Parking Brake, Ass'y(incl. Ref. #'s 30-36)
30	1	165-44	Caliper, Wldt Parking Brake
31	1	165-51	Cam, Caliper, Park Brake
32	1	165-36	Brake Pad Replacement Kit
33	1	127-280	Spring, Extension 3/8" x 1.75"
34	3	117-25	Nut, Conelock 5/16-18
35	2	112-224	Bolt, Shoulder 3/8 x 1.25
36	1	112-223	Bolt, Shoulder 3/8 x 0.38
			*If equipped



Ref.	Qty.	Part #	Description
1a	1	958-98	Acc., Alternator Ass'y 40A XTI (Prior to Serial # 34809)
1b	1	958-167	Acc., Alternator Ass'y 60A XTI (From Serial # 34809)
2	1	850-191	Bracket Assy, Altr Engine Lower
3	1	850-59	Pulley, V-Belt
4	1	850-45	V-Belt, 3/8" x 19"
5	1	850-234	Bracket Ass'y, Altr. Upper 60A XTI
6	1	117-94	Pushnut, 5/32" Shaft
7	3	108-03	Lockwasher 1/4" Split Ring Zn
8	4	112-167	HHCS M8 x 1,25 x 80 mm Zn
9	7	108-05	Lockwasher 5/16" Split Ring Zn
10	1	108-24	Flat Washer .34 x .70 x .06 Zn
12	1	112-22	HHCS M10 x 1,50 x 50mm Zn
13	3	112-63	HHCS M8 x 1.25 x 35mm Gr5 Zn
14	1	850-52	Block, Adjuster
15	1	112-65	RHMS 1/4 - 20 x 3" Phil Zn
16	1	117-60	Locknut, Nyloc M10x1.5mm Zn8
17	1	117-63	Nut, Hex M6 x 1.0 Zn
18	1	613-45	Insulator, Terminal (6ga.)
19	2	112-97	HHCS M6 x 1,0 x 25mm Zn

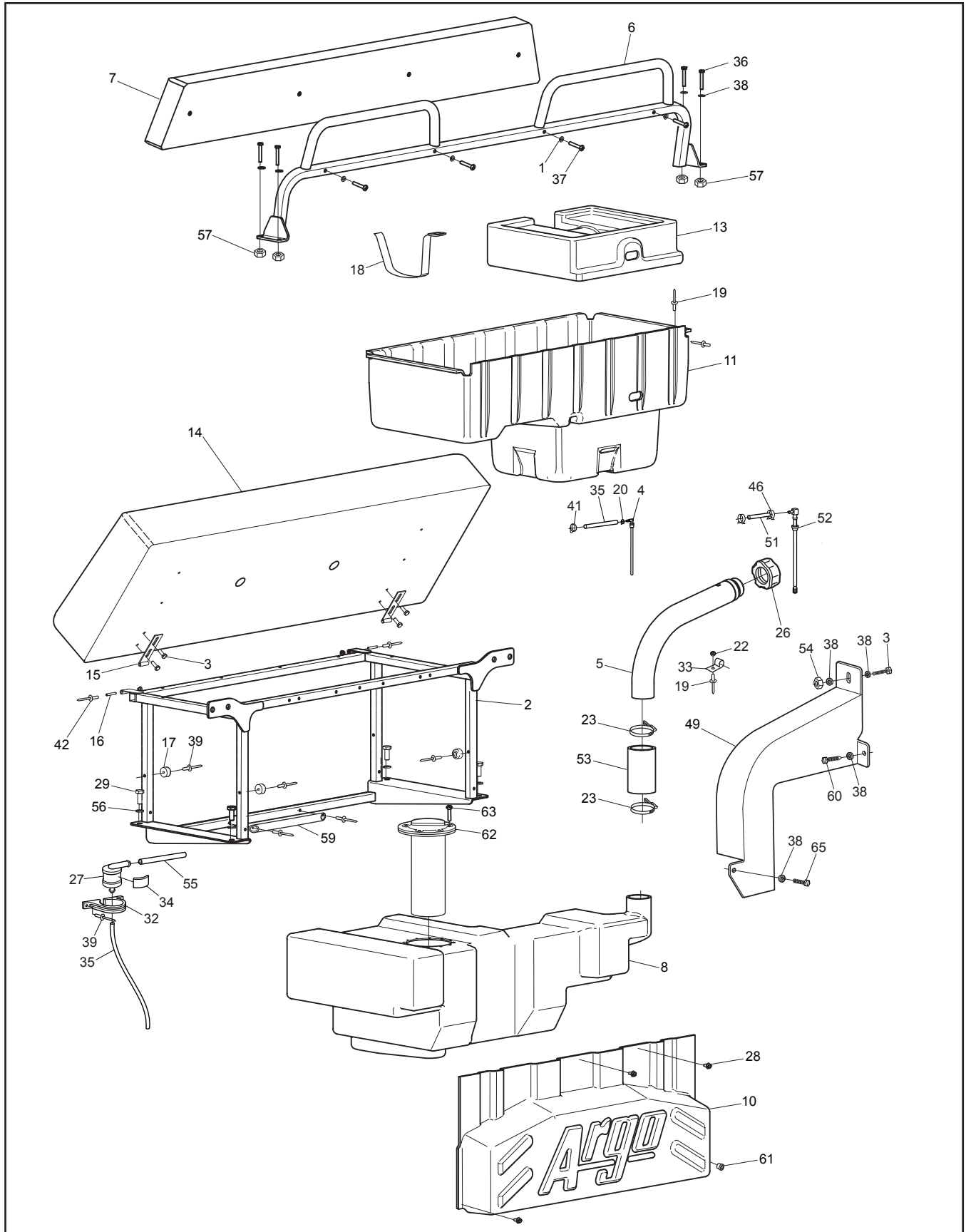
12.0 Fuel System & Seat Assembly-XTI XTI/XTD Parts Manual



XTI/XTD Parts Manual 12.0 Fuel System & Seat Assembly-XTI

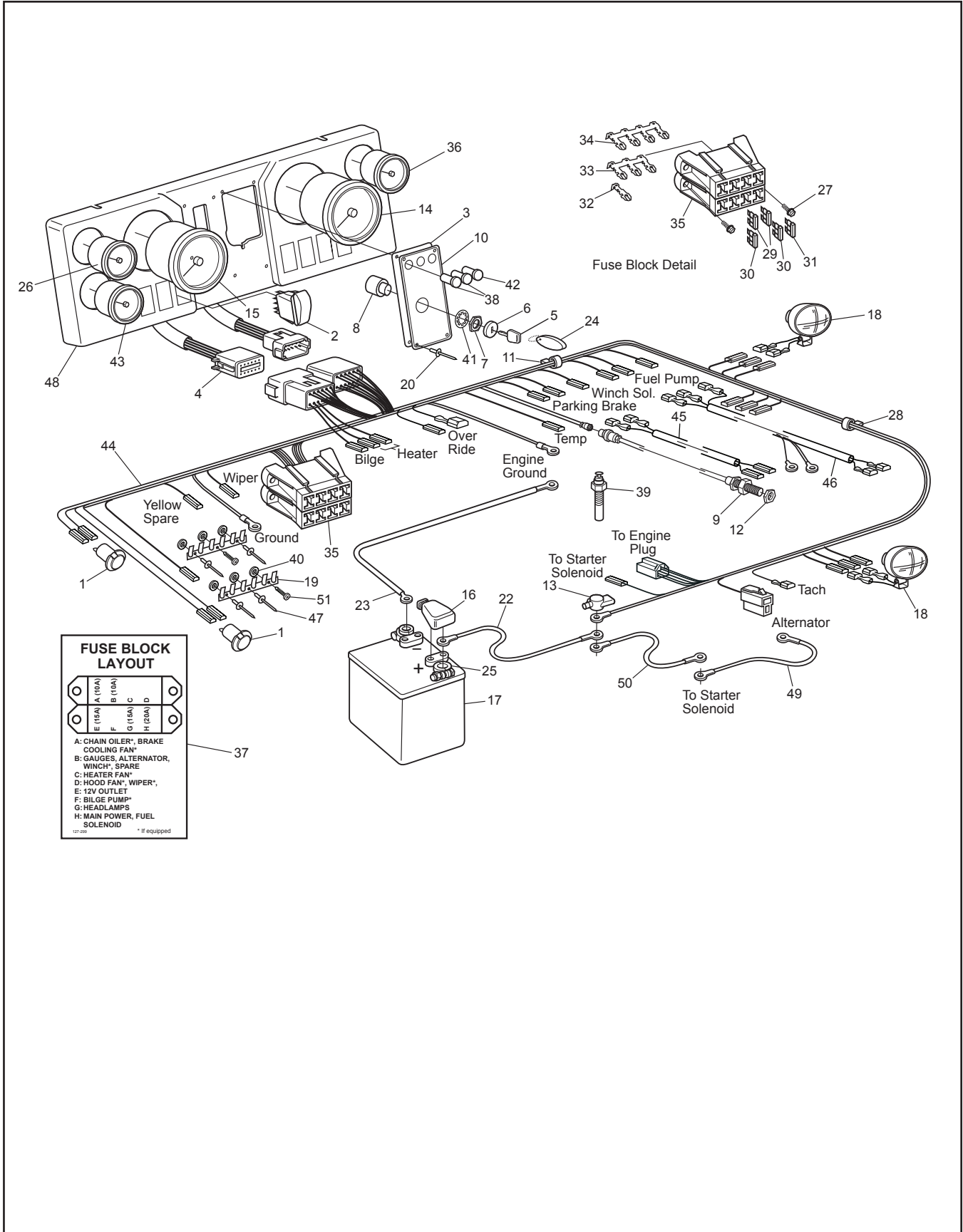
Ref.	Qty.	Part #	Description	Ref.	Qty.	Part #	Description
1	11	108-03	Lockwasher 1/4 Split Ring Zn	53	1	125-101	Hose, Fuel Fill, XT
2	1	950-13	Wldt, Bench Frame, XT	54	1	117-27	Locknut, Nylon 1/4-20 Zn
3	5	112-04	HHCS 1/4-20x3/4 Gr2 Zn	55	1	126-101RM	Hose, Vent 3/16" ID
4	1	608-138	Return, Fuel Port	56	4	108-67	Lockwasher M10 Split-Ring Zn
5	1	950-14	Fuel, Fill Neck Assembly - XT	57	4	112-115	Locknut, Nylon M6 x 1 Zn
6	1	950-08	Frame Ass'y, Backrest - XT	58	1	127-276	Clamp, Loop, 2-1/4"-XT
7	1	608-39	Back Pad Assembly	59	1	952-146	Bumper, Fuel Tank - XT
8	1	951-14	Tank, Fuel - XT	60	1	112-102	Screw, Self Drill 12-14x3/4"
9	4	112-133	HHCS M10x1,5x35mmZn-8.8	61	1	117-79	Insert, M6x1,0 -10 mm OD
10	1	951-11	Cover, Fuel Comps - XT	62	1	953-39	Sender, Fuel - 5.5-15.5 (Prior to S.N. 34049)
11	1	951-09	Toolbox, XT - Bench Seat		1	953-53	Sender, Dip Tube (From S.N. 34049)
12	8	108-15	Washer .42x.81x.05 Zn	63	5	112-221	PHMS, Phil 10-32 x 5/8" (Prior to S.N. 34049)
13	1	951-10	Cover, Battery -XT		5	112-231	PHMS, M5 - 0.8 x 20 (From S.N. 34049)
14	1	608-88	Seat Assembly, Bench - Thick	64	1	953-40	Hardware, Fuel Sender (Prior to S.N. 34049) Not shown
15	2	608-81	Hinge, Seat, Bolted		1	112-220	HHCS M6x1X20mm Gr Zn
16	2	104-43	Pin, 3/16" x 1-1/8"				United States Vehicle Kit
17	3	126-102	Bumper, Recessed Hole	8	1	951-18	Tank, Fuel Loperm - XT
18	1	608-56	Strap, Battery		1	127-273	Plate, Serial Blank Double
19	17	120-09	Rivet 3/16x1 - Black		1	127-274	Label, U.S EPA EVAP Approval
20	4	112-79	Clamp, Hose, 1/2" - Red	66	2	120-24	Rivet, Alum - 3/32 x 3/8 Black
21	1	608-69	Hose, Fuel 5/16" ID x 7.5' - Carb				California Vehicle Kit
22	10	120-04	Washer .19 x .50 x .08 Zn	8	1	608-120	Tank, Fuel Low Permeation
23	2	100-12	Clamp, Gear 2.25" HF-36		1	127-273	Plate, Serial Blank Double
24	4	117-60	Locknut, Nyloc M10x1.5mm Zn		1	127-274	Label, U.S EPA EVAP Approval
25	1	112-253	Clamp, Fuel Injection 1/4"	39	2	120-13	Rivet - 3/16 x 3/4 Black
26	1	126-100	Fuel Cap, Tethered	66	4	120-24	Rivet, Alum - 3/32 x 3/8 Black
27	1	609-47	Valve, Rollover		1	127-275	Label, Carb EVAP Approval
28	4	112-19	Screw, IHWH T/C Slot 1/4- 20x1/2	67	1	126-101RM	Hose, Vent 3/16" ID
29	4	112-93	HHCS M10 x 1,5 x 25mm	68	1	609-45	Carbon Canister 800cc
32	1	609-50	Clamp, Rollover Valve	69	1	609-46	Bracket, Carbon Canister
33	7	126-93	Clamp, Nylon Wire - 1/2" ID	70	2	609-48	Reducer, Barbed 1/4" to3/16"
34	1	126-60	Vinyl Strip 1/2" x 1/4"	71	2	127-160-3	Hose, 1/4IDx3/8OD - 3" Long
35	72"	127-160RM	Tubing, 1/4 ID Clear Plastic	72	2	120-05	Washer .19x.50x.04 Zn
36	4	112-98	HHCS M6 x 1 x 40mm Zn				
37	4	103-03	PHMS, Phil 1/4-20 x 1.50 Zn				
38	8	108-08	Washer .28 x .62 x .07 Zn				
39	33	120-13	Rivet, 3/16 x 3/4 Black				
41	5	112-243	Clamp, Fuel Injection 5/16"				
42	4	120-31	Rivet, 3/16" x 1/4, Open End				
43	1	24 393 52	Fuel Pump, EFI				
44	1	608-136	Grommet, Fuel Return				
45	1	24 403 16	Regulator, Fuel Pressure				
46	2	112-78	Clamp, Hose, 9/16				
47	1	24 050 03	Filter, Fuel Line - EFI - c/w engine				
48	1	103-25	PHMS 10-24x3/4 Zn				
49	1	950-22	Cover, Fuel Fill, XT				
51	2"	608-69RM	Hose, Fuel - 5/16" ID Carb				
52	1	953-23	Pick-up, Fuel, XT				

12.0 Fuel System & Seat Assembly-XTD XTI/XTD Parts Manual



XTI/XTD Parts Manual 12.0 Fuel System & Seat Assembly-XTD

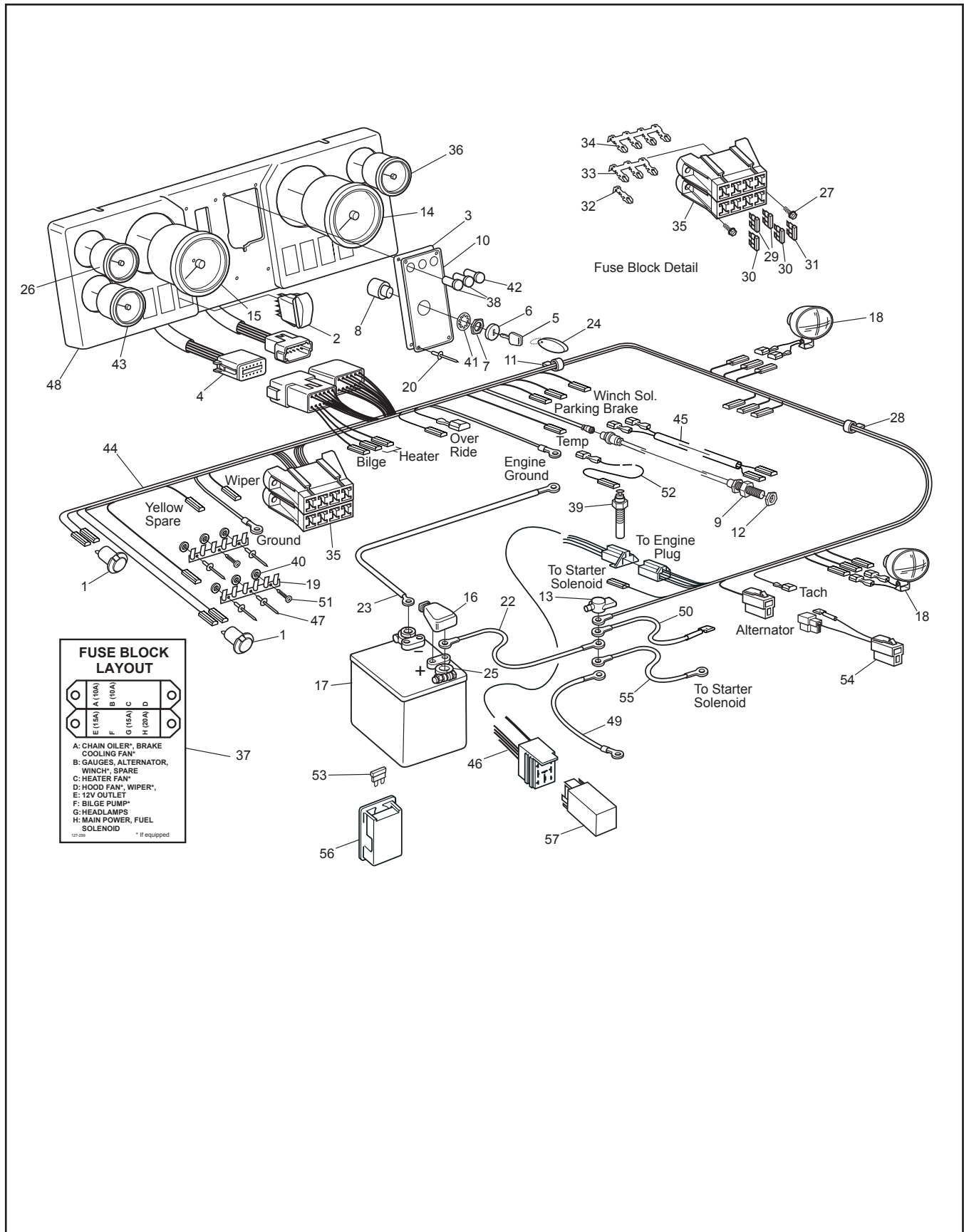
Ref.	Qty.	Part #	Description	Ref.	Qty.	Part #	Description
1	11	108-03	Lockwasher 1/4 Split Ring Zn	50	1	808-133	Reducer, 5/16" to 1/4" Barbed
2	1	950-13	Wldt, Bench Frame, XT	51	2"	608-69RM	Hose, Fuel - 5/16" ID Carb
3	5	112-04	HHCS 1/4-20x3/4 Gr2 Zn	52	1	953-23	Pick-up, Fuel, XT
4	1	608-138	Return, Fuel Port	53	1	125-101	Hose, Fuel Fill, XT
5	1	950-14	Fuel, Fill Neck Assembly - XT	54	1	117-27	Locknut, Nylon 1/4-20 Zn
6	1	950-08	Frame Ass'y, Backrest - XT	55	1	608-146-4	Hose, Fuel-3/16"ID x 4"LG
7	1	608-39	Back Pad Assembly	56	4	108-67	Lockwasher M10 Split-Ring Zn
8	1	951-14	Tank, Fuel - XT	57	4	112-115	Locknut, Nylon M6 x 1 Zn
9	2	103-77	HHCS, 1/4-28 x 2.0	58	1	609-48	Reducer, Barbed 1/4" to 3/16"
10	1	951-11	Cover, Fuel Comps - XT	59	1	952-146	Bumper, Fuel Tank - XT
11	1	951-09	Toolbox, XT - Bench Seat	60	1	112-102	Screw, Self Drill 12-14x3/4"
12	1		See Section 13.0 Electrical System	61	1	117-79	Insert, M6x1,0 -10 mm OD
13	1	951-10	Cover, Battery -XT	62	1	953-53	Sender, Dip Tube
14	1	608-88	Seat Assembly, Bench - Thick	63	5	112-231	PHMS, M5 - 0.8 x 20
15	2	608-81	Hinge, Seat, Bolted	64	1	808-133	Reducer, 5/16" to 1/4" Barbed
16	2	104-43	Pin, 3/16" x 1-1/8"	65	1	112-220	HHCS M6x1X20mm Gr Zn
17	3	126-102	Bumper, Recessed Hole				
18	1	608-56	Strap, Battery				
19	17	120-09	Rivet 3/16x1 - Black				
20	2	112-79	Clamp, Hose, 1/2" - Black				
21	1	608-69	Hose, Fuel 5/16" ID x 7.5' - Carb				
22	7	120-04	Washer .19 x .50 x .08 Zn				
23	2	100-12	Clamp, Gear 2.25" HF-36				
24	1	125-94	Hose, Filler				
25	1	112-07	RHMS 10-24 x 1.50 Zn				
26	1	126-100	Fuel Cap, Tethered				
27	1	609-47	Valve, Rollover				
28	4	112-19	Screw, IHWH T/C Slot 1/4-20x1/2				
29	4	112-93	HHCS M10 x 1,5 x 25mm				
30	10	108-42	Washer .21 x 1.0x.06 Zn				
31	3	117-10	Locknut, Nylon #10-24 Zn				
32	1	609-50	Clamp, Rollover Valve				
33	7	126-93	Clamp, Nylon Wire - 1/2" ID				
34	1	126-60	Vinyl Strip 1/2" x 1/4"				
35	72"	127-160RM	Tubing, 1/4 ID Clear Plastic				
36	4	112-98	HHCS M6 x 1 x 40mm Zn				
37	4	103-03	PHMS, Phil 1/4-20 x 1.50 Zn				
38	8	108-08	Washer .28 x .62 x .07 Zn				
39	33	120-13	Rivet, 3/16 x 3/4 Black				
40	1	608-137	Plug, Push-In				
41	2	112-243	Clamp, Fuel Injection 5/16"				
42	4	120-31	Rivet, 3/16" x 1/4, Open End				
43	1	608-68-4	Hose, Fuel-1/4"ID x 4"LG				
44	1	608-136	Grommet, Fuel Return				
45	1	608-68	Hose, Fuel -1/4"ID, Bio-Diesel				
46	2	112-78	Clamp, Hose, 9/16				
47	1	608-69	Hose, Fuel-5/16" ID, Carb-10'				
48	1	103-25	PHMS 10-24x3/4 Zn				
49	1	950-22	Cover, Fuel Fill, XT				



Ref.	Qty.	Part #	Description
1	2	613-90	Outlet, 12 Volt DC
2	1	613-153	Switch, Light
3	1	127-234	Plate, Ignition - XT
4	1	613-181	Wire Harness, Gauges XT
5	2	127-108	Key, Molded
6	1	127-107	Bezel - Cover, Nut
7	1	127-106	Nut, Flanged - Plastic
8	1	127-105	Switch - Ignition
9	1	613-126	Sensor, Speedo Pickup
10	1	127-236	Label, Ignition-XT
11	4	127-24	Clamp, Nylon - 1" ID
12	1	117-87	Nut, M12 x 1.25, Zn
13	1	613-124	Insulator, 2 Way w/cap, Red
14	1	613-184	Gauge, Tachometer - XT
15	1	613-185	Gauge, Speedometer 0-45K XT
16	1	127-55	Cap, Battery Terminal - Red
17	1	126-108	Battery, 12V, XT
18	2	613-175	Headlight, 12V Bottom Mnt - XT
19	2	613-37	Terminal Strip, Ground
20	4	120-33	Rivet, 1/8 x 1/2 Black
21	1	613-46	Insulator, Terminal (2 ga.)
22	1	613-197	Wire, Positive Battery XT
23	1	613-198	Wire, Negative Battery XT
24	1	681-00	FOB, Key - Floating
25	2	127-56	Terminal, Battery Post
26	1	613-186	Gauge, Coolant Temp XT
27	2	112-51	Screw, IHWH T/C #10-24 x 5/8
28	4	126-93	Clamp, Nylon Wire - 1/2" ID
29	2	118-52	Fuse, 10A 2 Prong (AT010)
30	2	118-49	Fuse, 15A 2 Prong (AT015)
31	1	118-53	Fuse, 20A 2 Prong (AT020)
32	9	118-62	Terminal - Fuse, single
33	1	118-63	Terminal - Fuse, triple
34	1	118-61	Terminal - Fuse, quad
35	2	118-60	Block - Fuse, 8 position (4 fuse)
36	1	613-187	Gauge, Battery Voltage XT
37	1	127-299	Label, Fuse Panel - XT
38	2	613-191	Light, Indicator Red
39	1	119-11	Sender, Coolant Temp, VDO
41	1	114-26	Lockwasher, 5/8 Int. Tooth
42	1	613-192	Light, Indicator Amber
43	1	613-199	Gauge, Fuel Level XT
44	1	613-176	Wire Harness, Kohler EFI XT
45	1	613-177	Wire Harness, Park Brake XT
46	1	613-178	Wire Harness, Fuel Pump XT
48	1	613-180	Dash Asm, Panel Gauge Wire XT
49	1	613-182	Wire Harness, Alternator XT
50	1	613-183	Wire Harness, Power XT

13.0 Electrical System - XTD

XTI/XTD Parts Manual



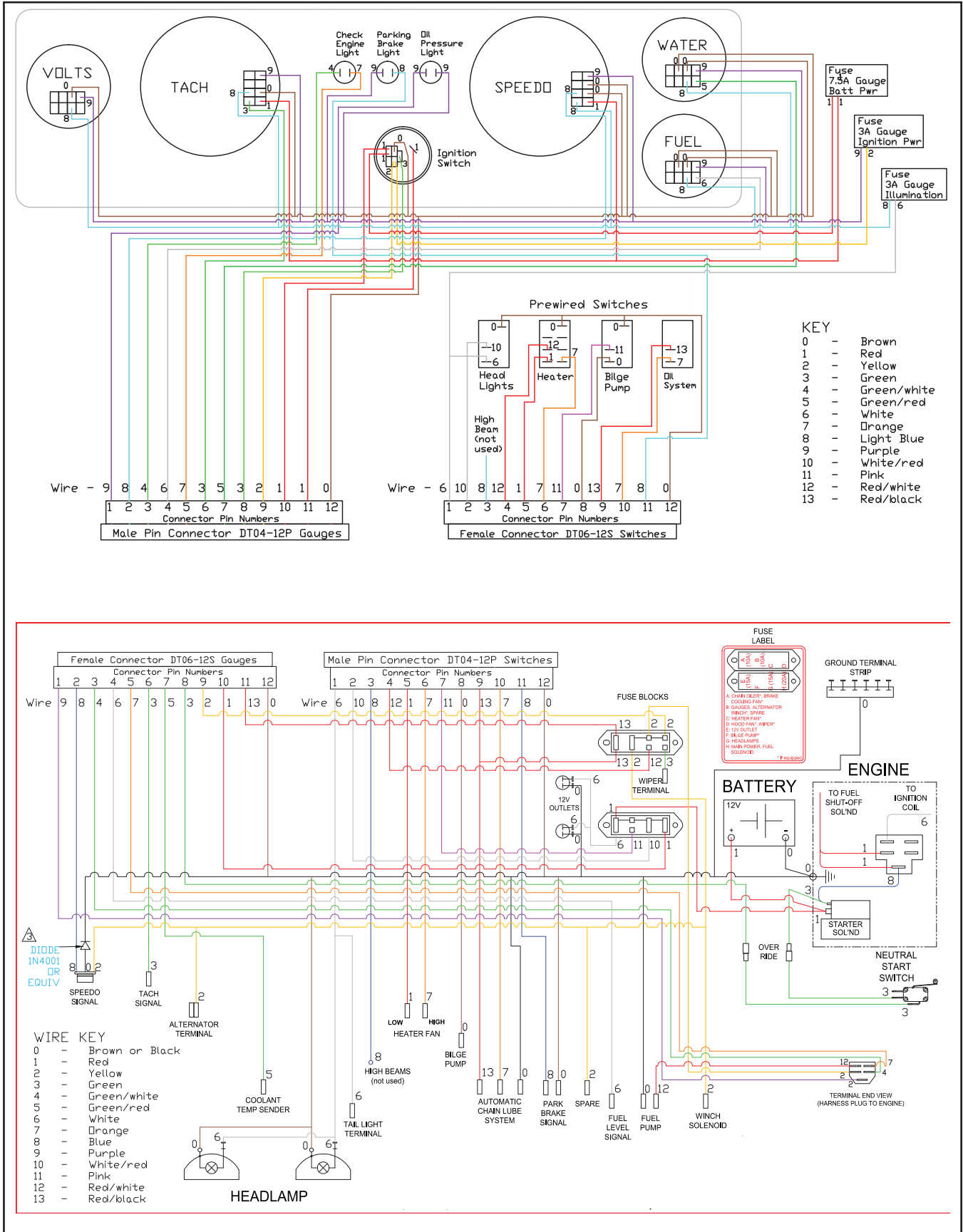
XTI/XTD Parts Manual

13.0 Electrical System - XTD

Ref.	Qty.	Part #	Description	Ref.	Qty.	Part #	Description
1	2	613-90	Outlet, 12 Volt DC	46	1	613-212	Wire Harness, KDW1003 - XTD
2	1	613-153	Switch, Light	47	2	120-15	Rivet - 1/8 x 7/16
3	1	127-234	Plate, Ignition - XT	48	1	613-180	Dash Asm, Panel Gauge
4	1	613-181	Wire Harness, Gauges XT				Wire XT
5	2	127-108	Key, Molded	49	1	613-214	Wire Harness, Glow Fuse - XTD
6	1	127-107	Bezel - Cover, Nut	50	1	613-215	Wire Harness, Alt. Out - XTD
7	1	127-106	Nut, Flanged - Plastic	51	1	112-102	Screw, Self Drill 12-14 x 3/4"
8	1	127-105	Switch - Ignition	52	1	613-219	Wire Harness, Eng Temp - XTD
9	1	613-126	Sensor, Speedo Pickup	53	1	118-76	Fuse, 50A, Maxi
10	1	127-290	Label, Ignition - XTD	54	1	613-213	Wire Harness, Alternator - XTD
11	4	127-24	Clamp, Nylon - 1" ID	55	1	613-216	Wire Harness, Starter - XTD
12	1	117-87	Nut, M12 x 1.25, Zn	56	1	613-218	Holder, Fuse, Maxi
13	1	613-124	Insulator, 2 Way w/cap, Red	57	1	ED0021931340-S	Relay
14	1	613-184	Gauge, Tachometer - XT				
15	1	613-185	Gauge, Speedometer 0-45K XT				
16	1	127-55	Cap, Battery Terminal - Red				
17	1	126-108	Battery, 12V, XT				
18	2	613-175	Headlight, 12V Bottom Mnt - XT				
19	2	613-37	Terminal Strip, Ground				
20	4	120-33	Rivet, 1/8 x 1/2 Black				
21	1	613-46	Insulator, Terminal (2 ga.)				
22	1	613-197	Wire, Positive Battery XT				
23	1	613-198	Wire, Negative Battery XT				
24	1	681-00	FOB, Key - Floating				
25	2	127-56	Terminal, Battery Post				
26	1	613-186	Gauge, Coolant Temp XT				
27	2	112-51	Screw, IHWH T/C #10-24 x 5/8				
28	4	126-93	Clamp, Nylon Wire - 1/2" ID				
29	2	118-52	Fuse, 10A 2 Prong (AT010)				
30	2	118-49	Fuse, 15A 2 Prong (AT015)				
31	1	118-53	Fuse, 20A 2 Prong (AT020)				
32	9	118-62	Terminal - Fuse, single				
33	1	118-63	Terminal - Fuse, triple				
34	1	118-61	Terminal - Fuse, quad				
35	2	118-60	Block - Fuse, 8 position (4 fuse)				
36	1	613-187	Gauge, Battery Voltage XT				
37	1	127-143	Label, Fuse Panel - XT				
38	2	613-191	Light, Indicator Red				
39	1	119-11	Sender, Coolant Temp, VDO				
40	6	120-04	Washer .19 x .50 x.08 Zn				
41	1	114-26	Lockwasher, 5/8 Int. Tooth				
42	1	613-192	Light, Indicator Amber				
43	1	613-199	Gauge, Fuel Level XT				
44	1	613-176	Wire Harness, Kohler EFI XT				
45	1	613-177	Wire Harness, Park Brake XT				

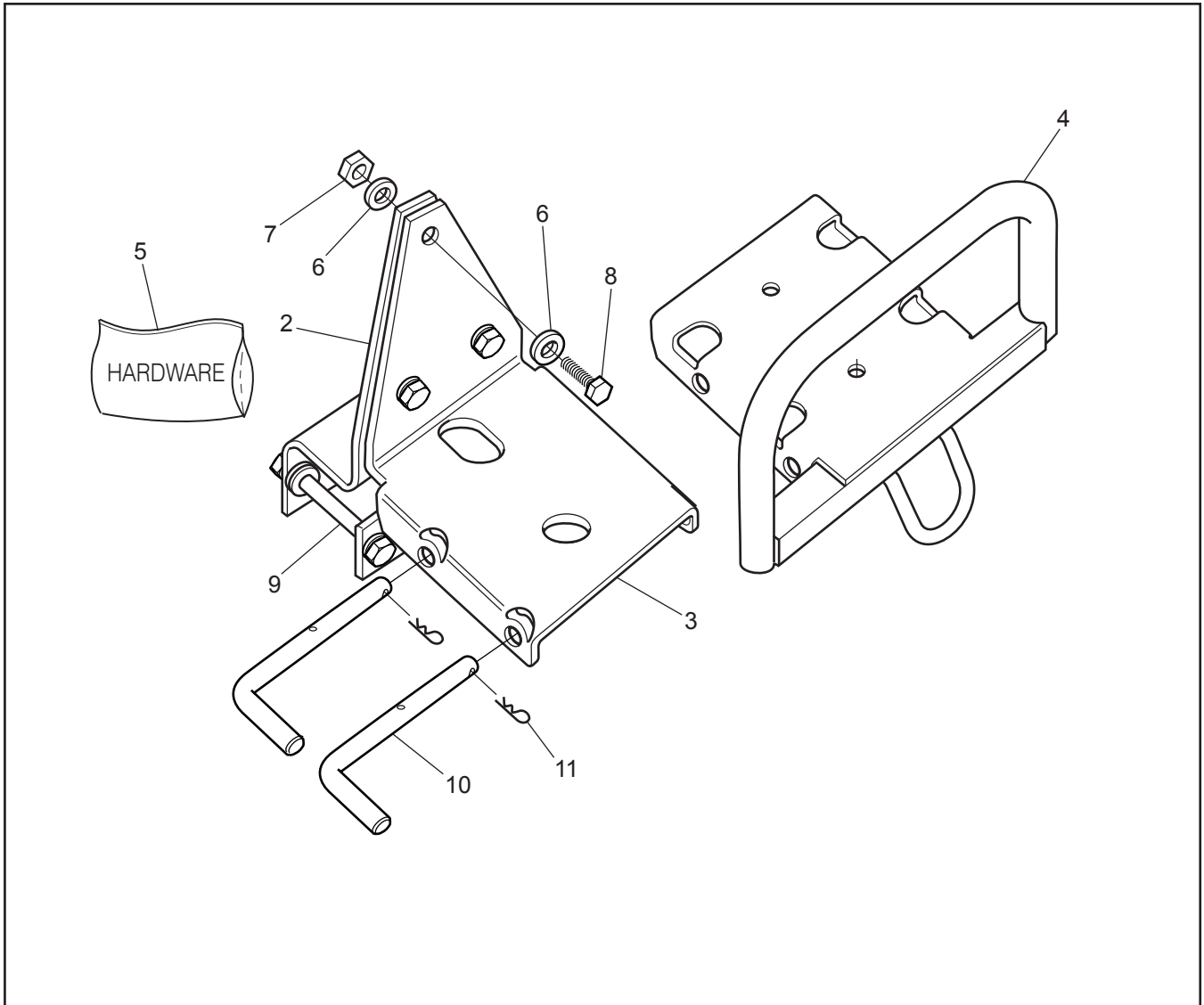
13.0 Electrical System

XTI/XTD Parts Manual



14.0 Accessories

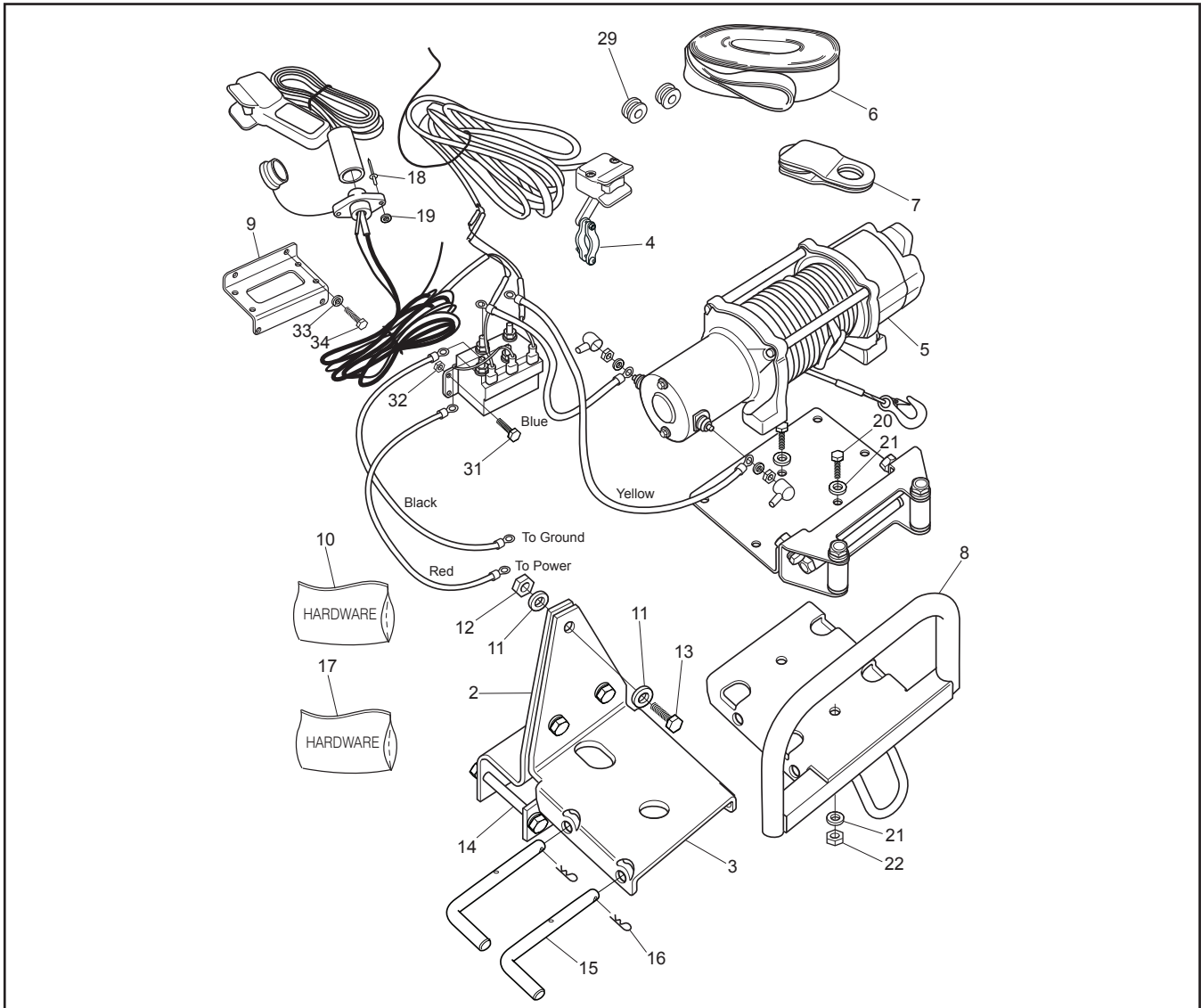
622-131 Front Winch Mount



Ref.	Qty.	Part #	Description
1	1	622-131	Kit, Front Winch Mount -XT
2	1	950-03	ASM, FR INR Winch Supt - XT
3	1	950-04	ASM, FR OTR Winch Supt - XT
4	1	622-130	Winch Mount W/Guard
5	1	622-131HDW	Hardware Kit Comprised of:
6	10	108-15	Washer .42x.81x.05 Zn
7	5	117-60	Locknut, Nyloc M10x1.5mm Z
8	3	112-133	HHCS M10x1,5x35mm Zn-8.8
9	2	112-120	HHCS M10x1,5x80mm Zn
10	2	622-85	Release Pin, Receiver Winch
11	2	100-16	Clip, Hitch Pin 1.625 Zn

622-133 Winch

14.0 Accessories



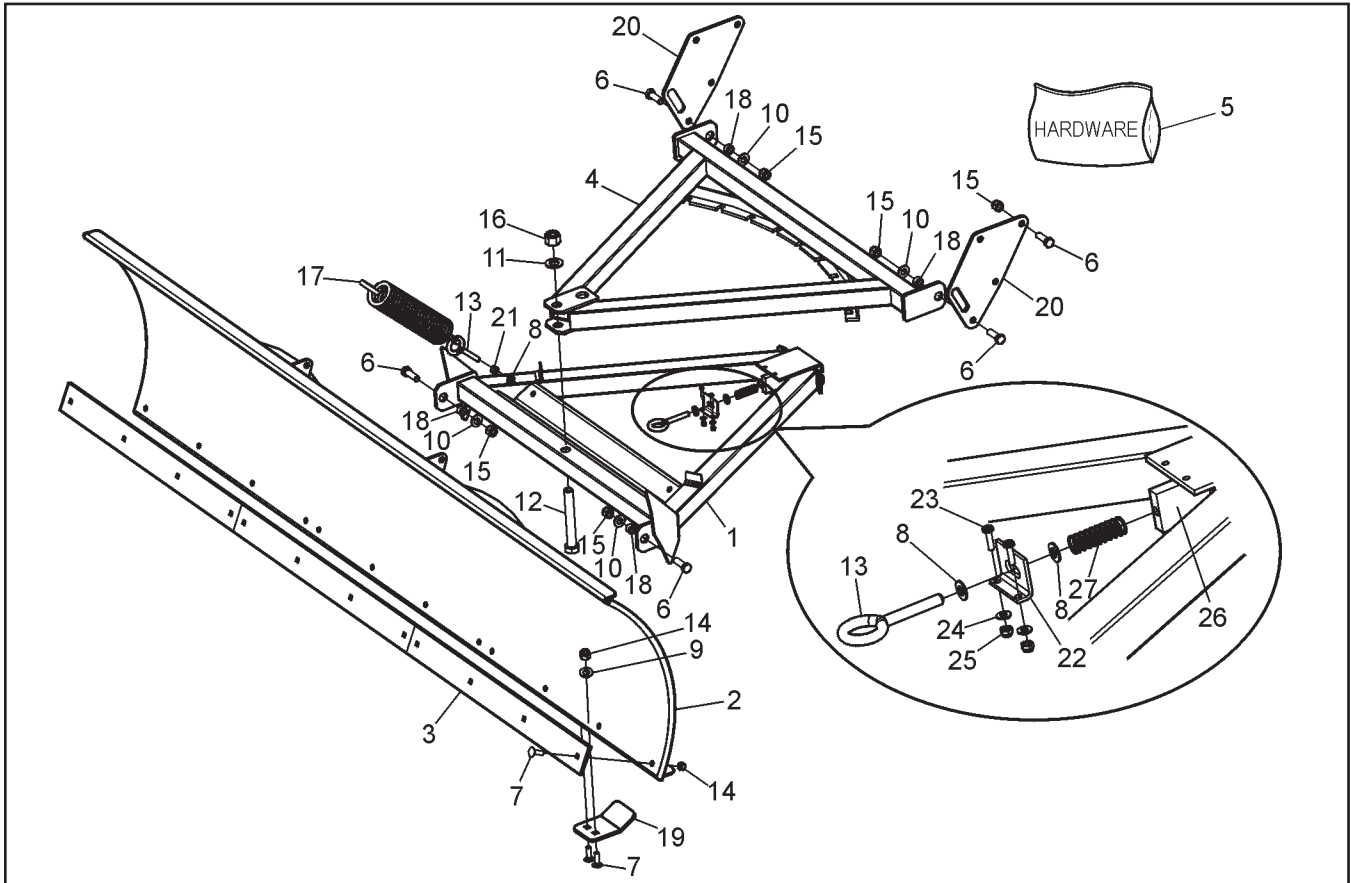
Ref.	Qty.	Part #	Description	Ref.	Qty.	Part #	Description
2	1	950-03	ASM, FR INR Winch Supt - XT	19	2	120-04	Washer .19 x .50 x .08 Zn
3	1	950-04	ASM, FR OTR Winch Supt - XT	20	2	103-34	HHCS 3/8-16 x 1.25 Gr5 Zn
4	1	622-132	HDW, Winch H-Bar Switch- XT	21	4	108-47	Washer .39 x .94 x .13 Zn
5	1	849-209	Winch, RT40	22	2	117-29	Locknut, Nylon 3/8-16 Zn
6	1	849-210	Strap, Recovery - 30ft.	23	4	100-64	Tie Wrap - 5.5" Black
7	1	849-211	Block, Snatch - Winch Kit	24	2	112-126	HHCS M3 x 0.5 x 30 CL 8.8 Zn
8	1	622-130	Winch Mount W/Guard	25	2	117-78	Locknut, Nylon M3 x 0.5" Zn
9	1	953-08	Mount, Engine ECU	26	1	118-02	Terminal, Male - #76-1251
10	1	622-131HDW	Hardware Kit Comprised of:	27	1	118-04	Connector, T-Tap 14-18 AWG
11	10	108-15	Washer .42x.81x.05 Zn	28	1	118-32	Terminal, 1/4" Male 22-18 AWG
12	5	117-60	Locknut, Nylon 3/8-16 Zn	29	2	125-84	Grommet, Rubber
13	3	112-133	HHCS M10x1,5x35mm Zn	30	1	118-74	Terminal, 5/16" Ring, 6GA
14	2	112-120	HHCS M10x1,5x80mm Zn	31	2	112-220	HHCS M6x1x20mm Gr 8.8 Zn
15	2	622-85	Release Pin, Receiver Winch	32	2	112-115	Locknut, Nylon M6x1 Zn
16	2	100-16	Clip, Hitch Pin 1.625 Zn	33	2	108-03	Lockwasher 1/4 Split Ring Zn
17	1	622-133HDW	Hardware Kit Comprised of:	34	2	112-118	HHCS M6x1,0x15mm
18	3	120-09	Rivet - 3/16 x 1.0 Black	35	2	810-107	Connector, Two Wire - 6 Gauge

**Illustration
not
Available**

Ref.	Qty.	Part #	Description
1	1	622-134	Receiver, Rear Winch
2	1	622-116	Wire Harness, Receiver Winch
3	2	100-64	Tie Wrap - 5.5" - Black
4	2	112-126	HHCS M3x0,5 x 30 Cl 8.8 Zn
5	2	117-78	Locknut, Nylon M3 x 0.5" Zn
6	2	125-84	Grommet, Rubber
7	4	120-04	Washer .19X.50x.08 Zn
8	4	120-09	Rivet - 3/16 x 1.0 Black
9	4	127-287	Clamp, Nylon Wire - 3/4" ID
10	2	613-46	Terminal, Insulator
11	1	118-72	Connector Housing, Anderson

657-106 Snowplow Assembly

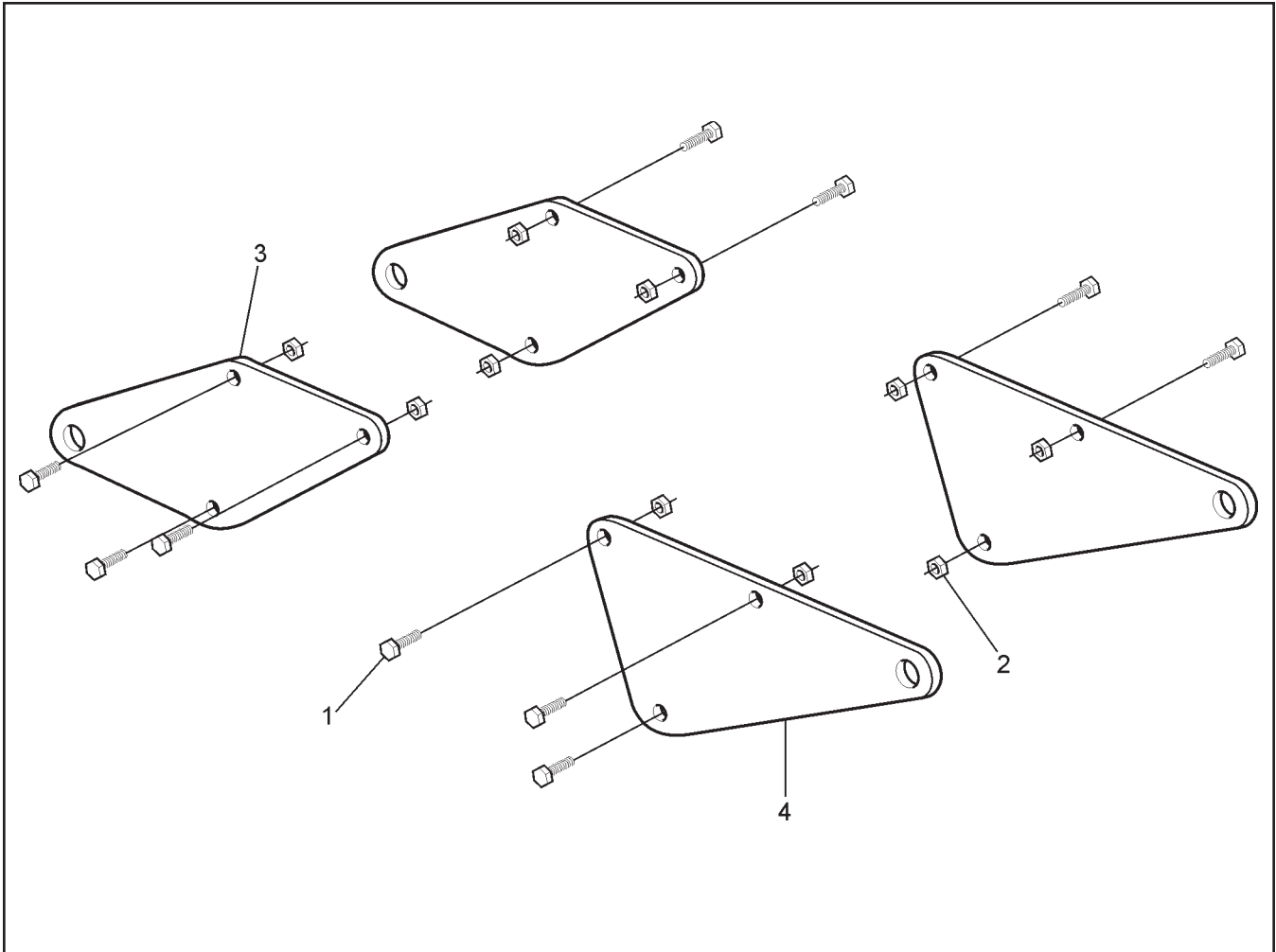
14.0 Accessories



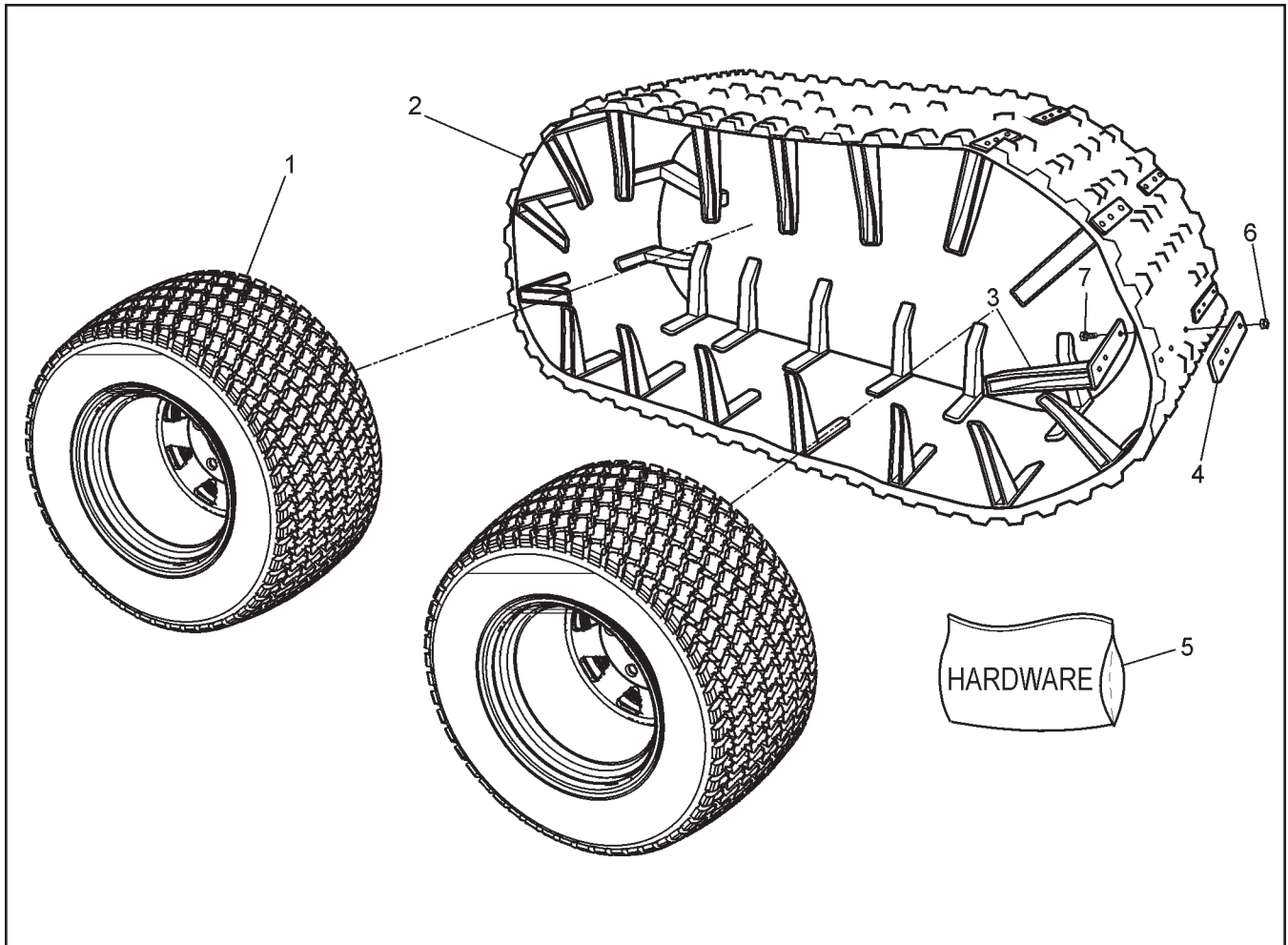
Ref.	Qty.	Part #	Description
1	1	657-25	Boom Assembly, Lower
2	1	657-11	Blade Assembly
3	3	657-90	Knife
4	1	657-27	Boom Assembly, Upper - Centaur
5	1	657-106HDW	Hardware kit consisting of the following:
6	10	103-21	HHCS, 1/2"-20 x 1-1/2" GR 5 Zn
7	16	103-88	Carriage Bolt 3/8"-16 x 1"
8	4	108-15	Washer, .42x.81x.05 Zn
9	6	108-26	Washer, .43x1.02x.09 Zn
10	4	108-35	Washer, .53x1.06x.09 Zn
11	2	108-53	Washer, .81x.5x.12 Zn
12	1	112-13	HHCS, 3/4"-10 x 5.5 GR 5 Zn
13	3	112-80	Eye Bolt, Welded 3/8"-16 Plated
14	18	117-29	Locknut, Nylon 3/8"-16 Zn
15	10	117-57	Locknut, Nylon 1/2"-20 Zn
16	1	117-58	Locknut, Nylon 3/4"-10 Zn
17	2	127-82	Spring, Extension - Painted
18	4	657-54	Bushing
19	2	657-59	Shoe
20	2	657-105	Bracket, Centaur Snowplow
21	2	117-15	Nut, Hex Fin 3/8" - 16 Zn
22	1	657-16	Plate, Spring Stop
23	2	103-25	PHMS, 10 - 24 x 3/4 Zn
24	2	120-05	Washer, .19 x .50 x .04 Zn
25	2	117-10	Locknut, Nylon 10 - 24 Zn
26	1	657-15	Block, Adjustment Pin
27	1	125-78	Spring, Comp. 0.66 x 1.92

14.0 Accessories

848-121 Four Point Lift Assembly



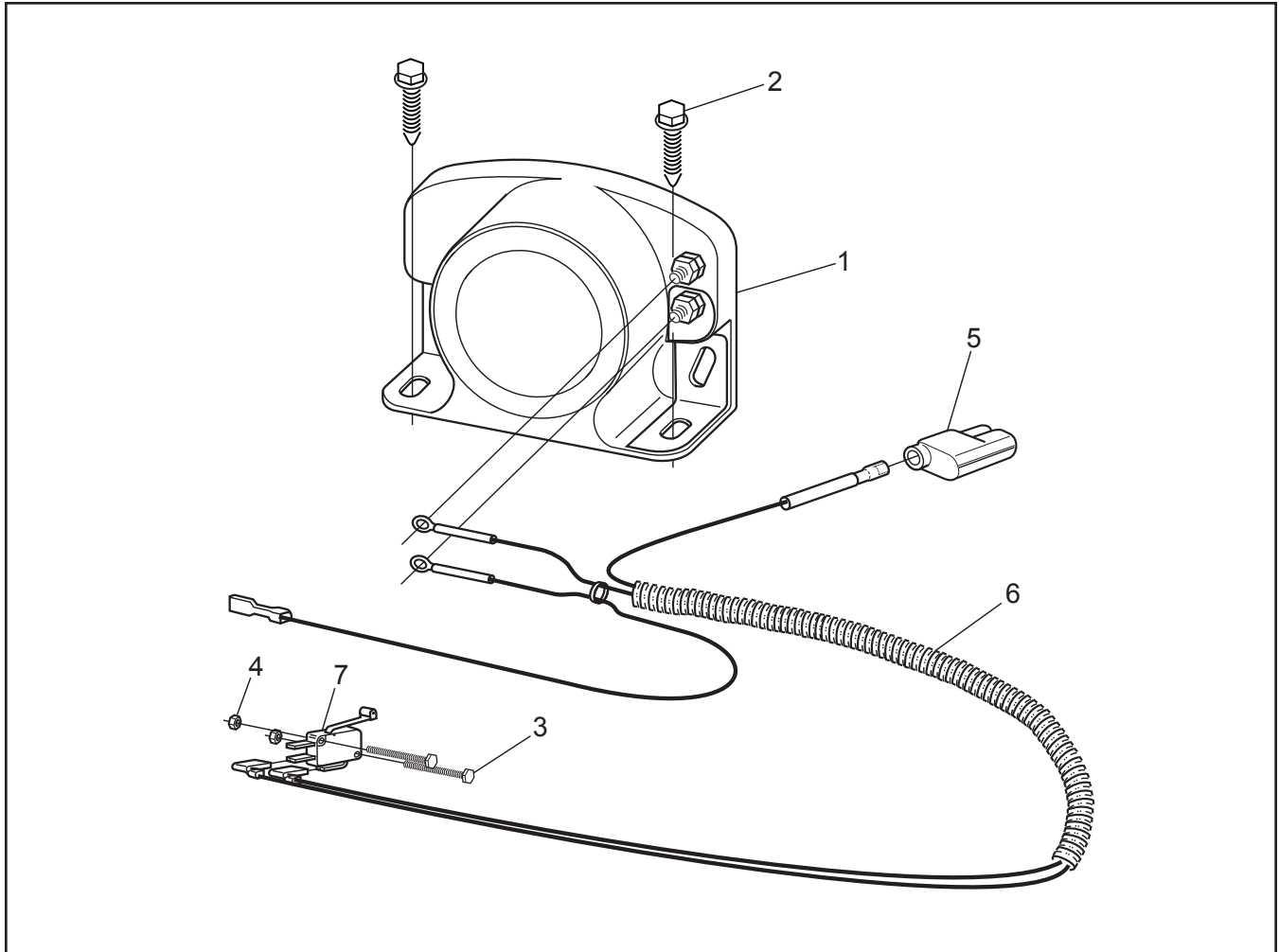
Ref.	Qty.	Part #	Description
1	12	103-21	HHCS, 1/2-20 x 1-1/4"
2	12	117-57	Locknut, Nylon 1/2" - 20 Zn
3	2	848-119	Plate, Rear Lift - Centaur
4	2	848-120	Plate, Front Lift - Centaur



Ref.	Qty.	Part #	Description
1	8	127-115	Tire & Rim ASM - Multi Trac XT
2	4	849-151	Track, Rubber - Centaur Mud
3	140	849-153	Guide ASM - Tracks - Cent- Welded
4	140	849-156	Plate - Backing, Tracks-Cent
5	1	849-150HDW	Hardware Kit, All Season Tracks Consists of:
6	450	112-115	Locknut, Nylon M6X1 Zn
7	450	112-97	HHCS, M6 x 1 x 25mm Zn

14.0 Accessories

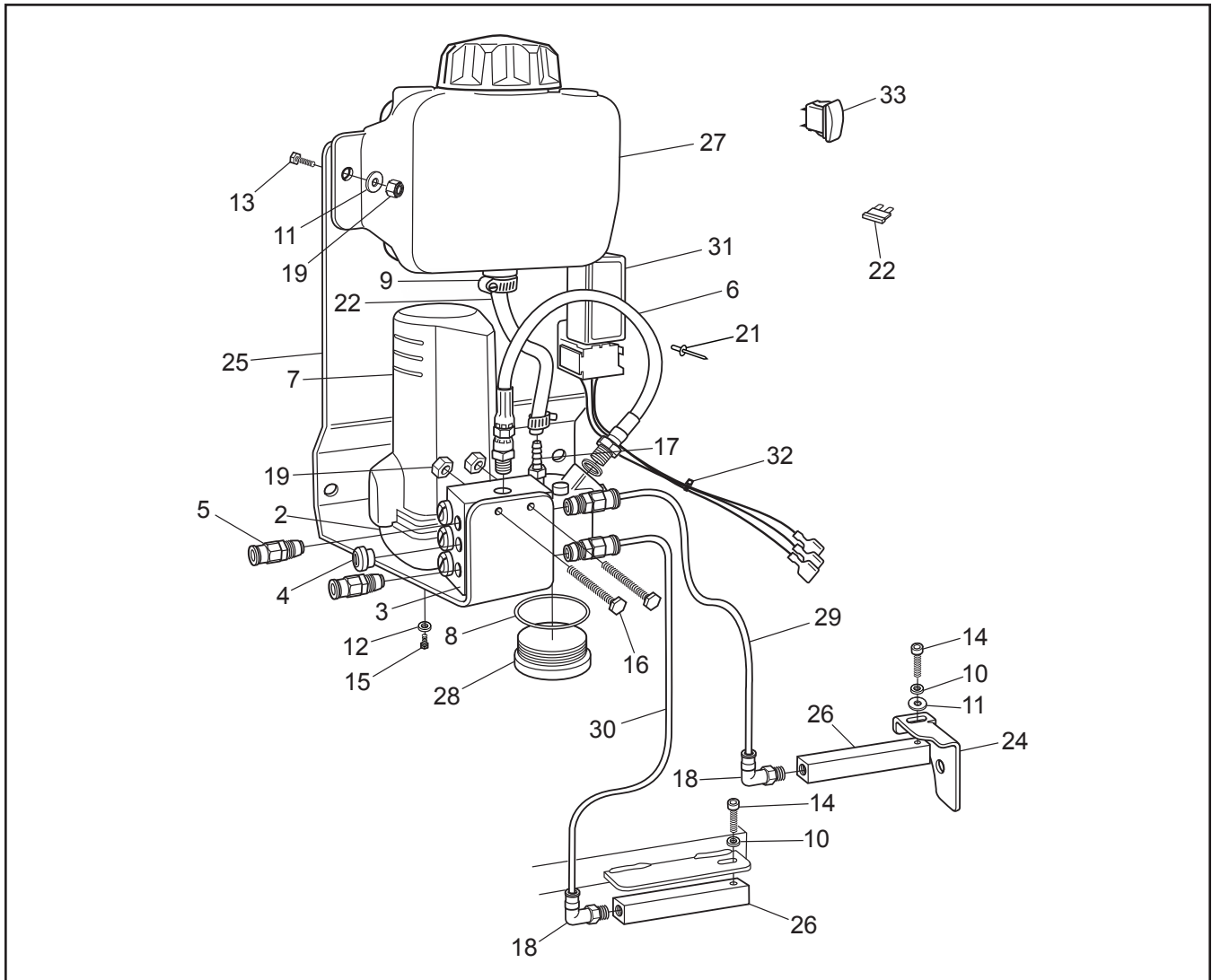
850-99 Reverse Beeper



Ref.	Qty.	Part #	Description
1	1	848-126	Alarm, Back-up
2	2	112-102	Screw, Self-Drill 12-14 x 3/4"
3	2	112-126	HHCS M3x0,5x30 CL 8.8 Zn
3a	2	112-172	SHCS 5-40x3/4 Zn (required for HDi mounting of micro switch)
4	2	117-78	Locknut, Nylon M3x 0.5" Zn
4a	2	112-173	Locknut, #5-40, Zn (required for HDi mounting of micro switch)
5	1	118-04	Connector, T-Tap 14-18 Awg
6	1	613-113	Wire Harness, Back-up Alarm
7	1	809-202	Switch, Limit - Two Pole

850-228 Auto Lube System

14.0 Accessories

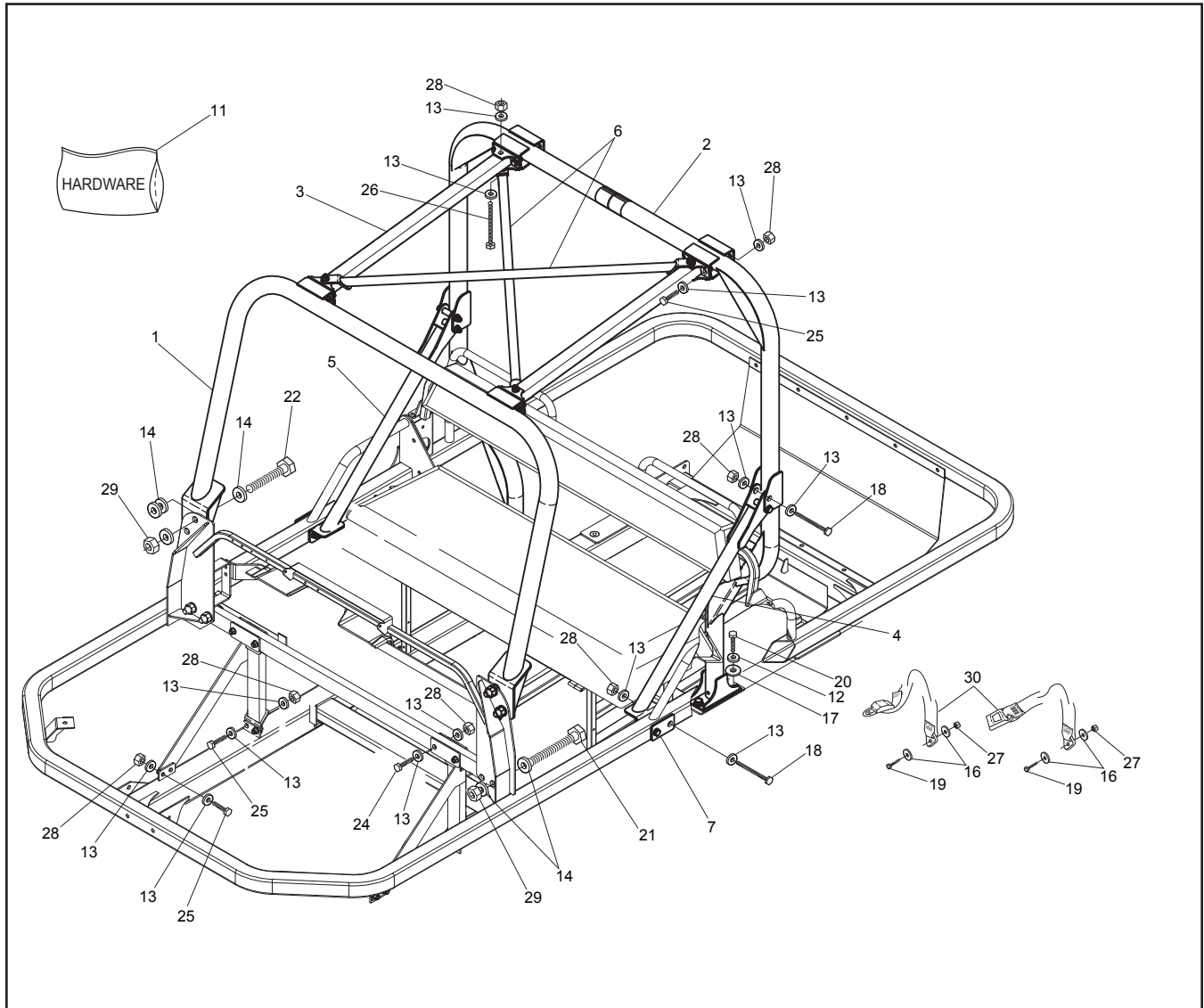


Ref.	Qty.	Part #	Description
1	1	850-214	Kit, Chain Oiler Purch Comp.
2	1	850-201	Pump, Oil System Lincoln 12V
3	1	850-202	Valve, Oil System Diverter
4	2	850-203	Plug, Valve Diverter
5	4	850-204	Adapter, Outlet 1/4" W/CHK
6	1	850-205	Hose, Oil Pump Outlet 12"
7	1	850-210	Cover, Oil Pump Motor
8	1	850-211	Seal, Oil Pump Cap
9	2	100-101	Clamp, Gear 1/2" HF4 or MH-4
10	4	108-03	Lockwasher 1/4 Split Ring Zn
11	4	108-08	Washer .28 x .62 x .07 Zn
12	4	108-100	Lockwasher, #10 Split-Ring Zn
13	2	112-04	HHCS 1/4-20 x 3/4 Gr5 Zn
14	4	112-47	SHCS 1/4-20 x 1.0 Zn
15	4	112-95	HHCS M5 x 0,8 x 10mm Zn
16	2	112-202	HHCS 1/4-20 x 1.75 Gr5 Zn
17	1	113-20	Fitting, 1/8 Npt x 1/4 Barb
18	4	113-21	Fitting, 1/8 x 90 Male Push Conn.
19	4	117-27	Locknut, Nylon 1/4-20 Zn

Ref.	Qty.	Part #	Description
20	1	118-52	Fuse, 10A 2-Prong (ATC010)
21	1	120-13	Rivet - 3/16 x 3/4 Black
22	1	127-160-7	Hose, 1/4 ID x 3/8 OD - 7" Long
23	1	850-197	Bracket, Oil Applicator Front LH XT (not shown)
24	1	850-222	Bracket, Oil Applicator Front RH XT
25	1	850-226	Bracket, Oil System Pump Res. XT
26	4	850-198	Tube, Oiler XT
27	1	850-196	Reservoir 1 Qt.
28	1	850-200	Plug, Oil Pump Threaded
29	2	850-206-5	Tubing, 1/4 OD Oil - 5 ft.
30	2	850-206-9	Tubing, 1/4 OD Oil - 9 ft.
31	1	850-207	Timer, Oil System
32	1	850-220	Harness, Oil System XT
33	1	850-209	Switch, Oil System Momentary
34	1	850-221	Harness, Oil System Pump (not shown)

14.0 Accessories

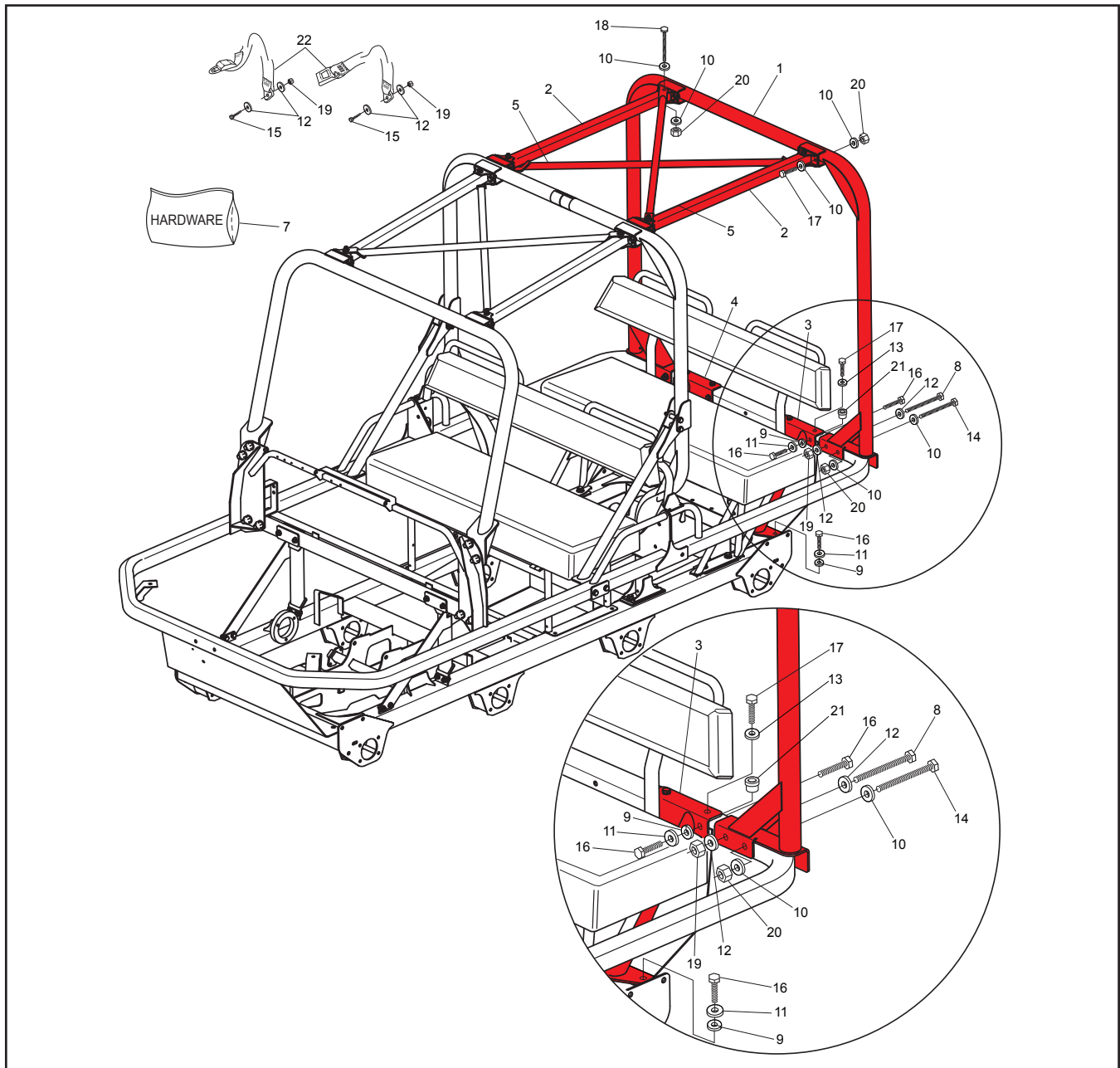
956-15 (2) Person ROPS



Ref.	Qty.	Part #	Description	Ref.	Qty.	Part #	Description
1	1	956-01	ROPS Hoop, Fwd, XT	18	8	112-120	HHCS M10x1,5x80mm Zn
2	1	956-02	ROPS Hoop, Mid, XT	19	3	112-229	HHCS 7/16-20x1.25" Lg Gr5
3	2	956-07	Brace, Fwd ROPS	20	4	112-189	HHCS 1/2-13x1.25 Gr5 Zn
4	1	956-09	Strut, ROPS Side, LH	21	4	112-207	HHCS, M16x2x70mm
5	1	956-10	Strut, ROPS Side, RH	22	4	112-208	HHCS, M16x2x50mm
6	2	956-11	Crossbrace, ROPS, Top	23	4	112-210	HHCS, 7/16-20 x 0.75
7	2	957-41	Plate, ROPS Brace, Mount	24	4	112-22	HHCS M10x1,5x50mm Zn
11	1	956-15HDW	Hardware, 2-Person ROPS, XT	25	16	112-93	HHCS M10x1,5x25mm
12	4	108-107	Lockwasher 1/2" High Alloy	26	4	112-94	HHCS, M10 x 1, 5 x 70mm Zn
13	64	108-101	Washer, 10mm, DIN125A	27	3	117-32	Locknut, Nylon 7/16-20 Zn
14	24	108-102	Washer, 16mm, DIN125A	28	32	117-60	Locknut, Nyloc M10x1.5mm Zn
15	4	108-27	Lockwasher 7/16 Split-Ring Zn	29	8	117-76	Locknut, Nylon M16x2,0 Zn
16	6	108-34	Washer .47x.94x.06 Zn	30	2	848-56	Seat Belt Assembly C/W Label
17	4	108-35	Washer .53x1.06x.09 Zn				

956-16 (4) Person ROPS

14.0 Accessories

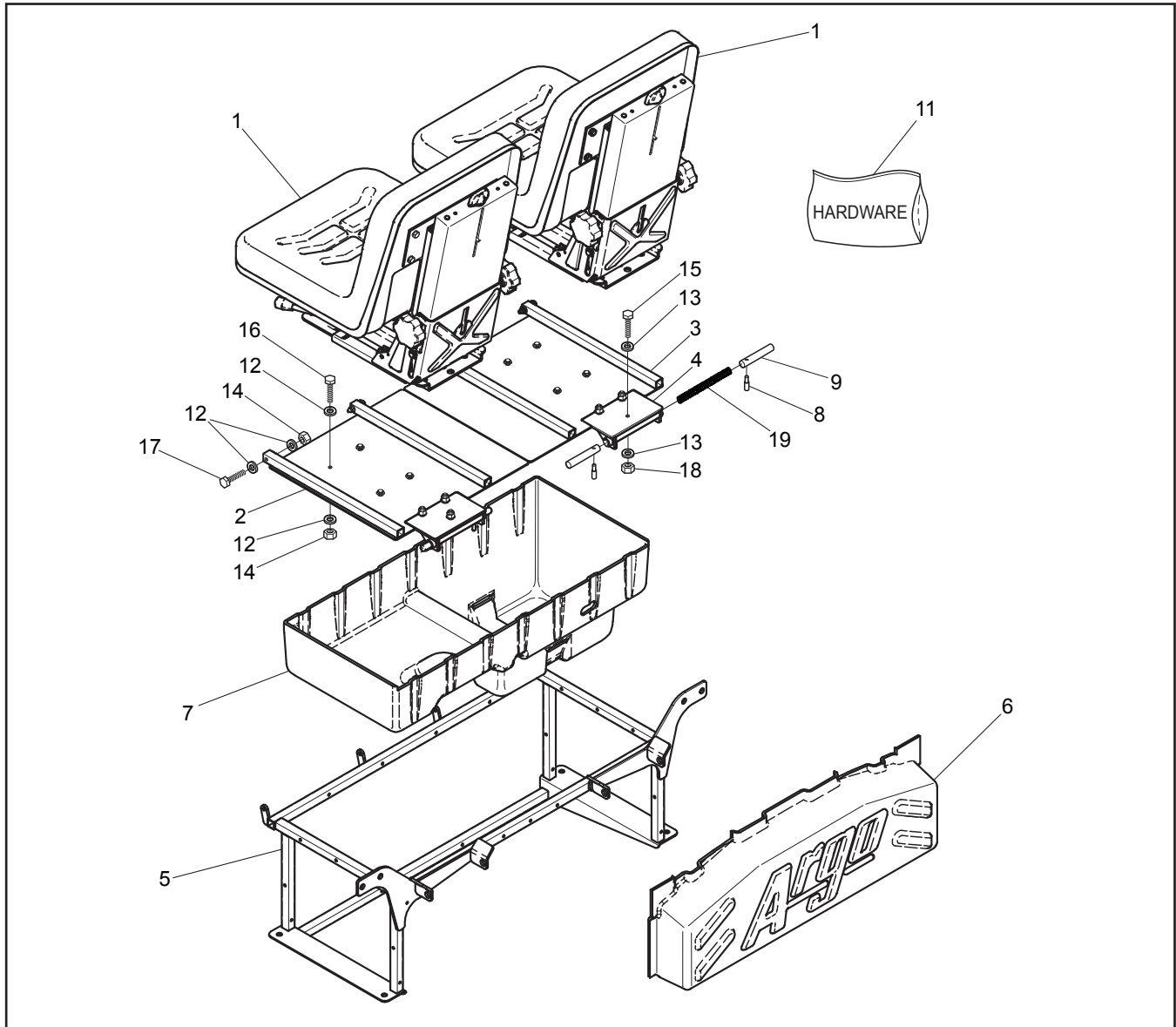


Ref.	Qty.	Part #	Description
1	1	956-03	Rops Hoop, Rear, XTI
2	2	956-08	Brace, Rear Rops
3	1	956-12	Rops Support, Rear, LH
4	1	956-13	Rops Support, Rear, RH
5	2	956-14	Crossbrace, Rops, Rear
7	1	956-16HDW	Hardware, 4-Person ROPS, XTI
8	2	103-74	HHCS 7/16-20x3.25 Gr5 Zn
9	8	108-05	Lockwasher 5/16 Split-Ring Zn
10	28	108-101	Washer, 10mm, Din 125A
11	8	108-24	Washer .34x.70x.06 Zn
12	8	108-34	Washer .47x.94x.06 Zn

Ref.	Qty.	Part #	Description
13	4	108-67	Lockwasher M10 Split-Ring Zn
14	2	112-120	HHCS M10x1,5x80mm Zn
15	2	112-150	HHCS 7/16-20x1.5" Lg Gr5
16	8	112-63	HHCS M8x1,25x35mm Gr5 Zn
17	12	112-93	HHCS M10x1,5x25mm
18	4	112-94	HHCS, M10x1,5x70mm
19	4	117-32	Locknut, Nylon 7/16-20 Zn
20	14	117-60	Locknut, Nyloc M10x1.5mm Zn
21	4	117-70	Insert, M10x1.5-13.5mm OD
22	2	848-56	Seat Belt Assembly C/W Label

14.0 Accessories

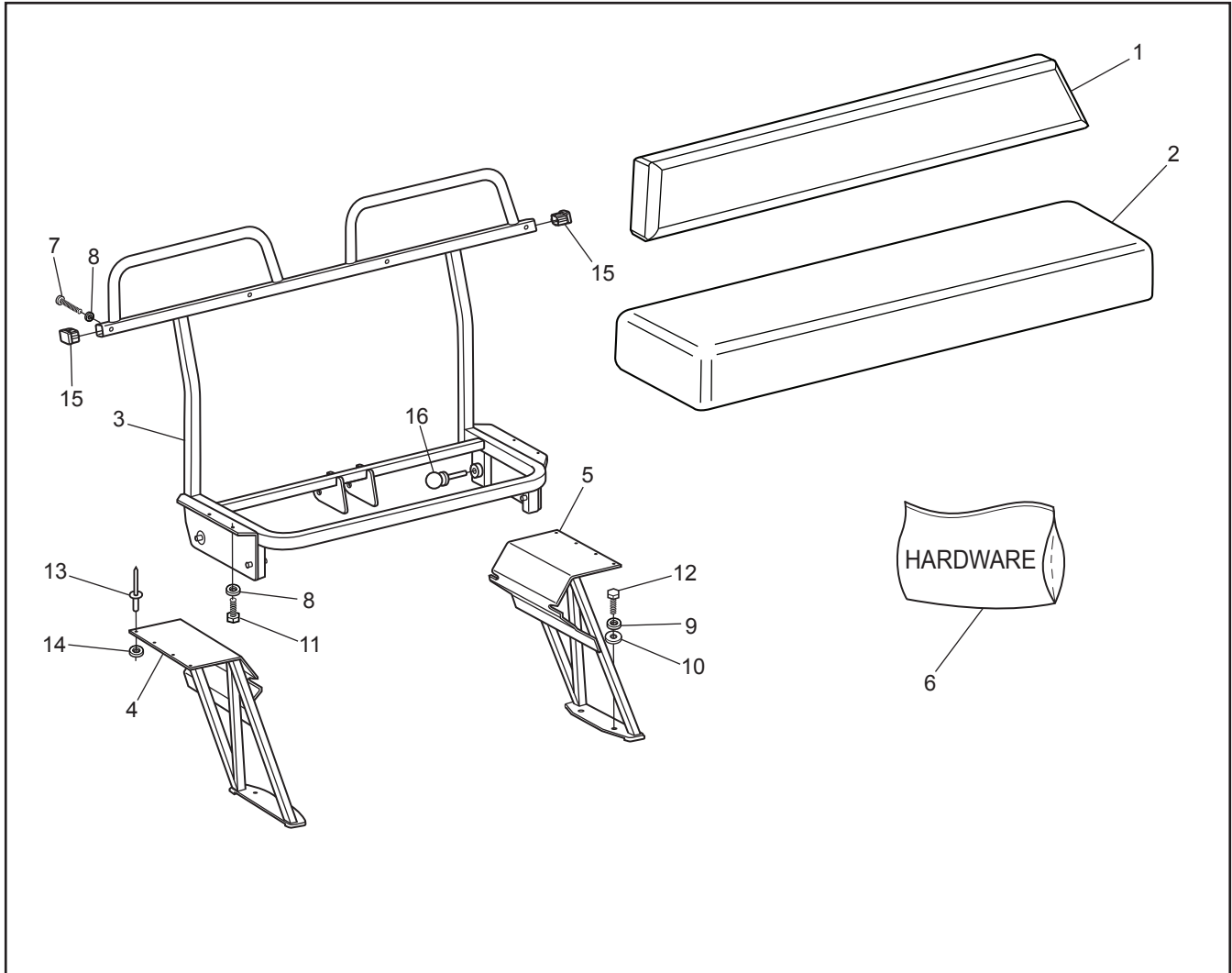
958-69 Suspension Seat - XT



Ref.	Qty.	Part #	Description	Ref.	Qty.	Part #	Description
1	2	608-100	Seat, Suspension	15	6	112-20	HHCS M8x1,25x25mm Zn
2	1	950-18	Ass'y, Seat Base-LH	16	8	112-97	HHCS M6x1,0x25mm Zn
3	1	950-19	Ass'y, Seat Base-RH	17	4	112-98	HHCS M6x1x40mm Zn
4	2	950-20	Wldt, Susp. Seat Latch, XT	18	6	117-77	Locknut, Nylon - M8x1,25mm Zn
5	1	950-21	Seat Frame, Suspension	19	2	127-277	Spring, Comp 4x0.5x0.054, Ss
6	1	951-16	Cover, Susp. Seat Fuel, XT				
7	1	951-17	Toolbox, XT - Susp. Seat				
8	4	953-35	Grip, Susp. Seat Latch, XT				
9	4	953-36	Pin, Seat Lock				
11	1	958-69HDW	Hardware, Suspension Seat, XT				
12	24	108-08	Washer .28x.62x.07 Zn				
13	6	108-24	Washer .34x.70x.06 Zn				
14	12	112-115	Locknut, Nylon M6x1 Zn				

958-70 Rear Bench Seat

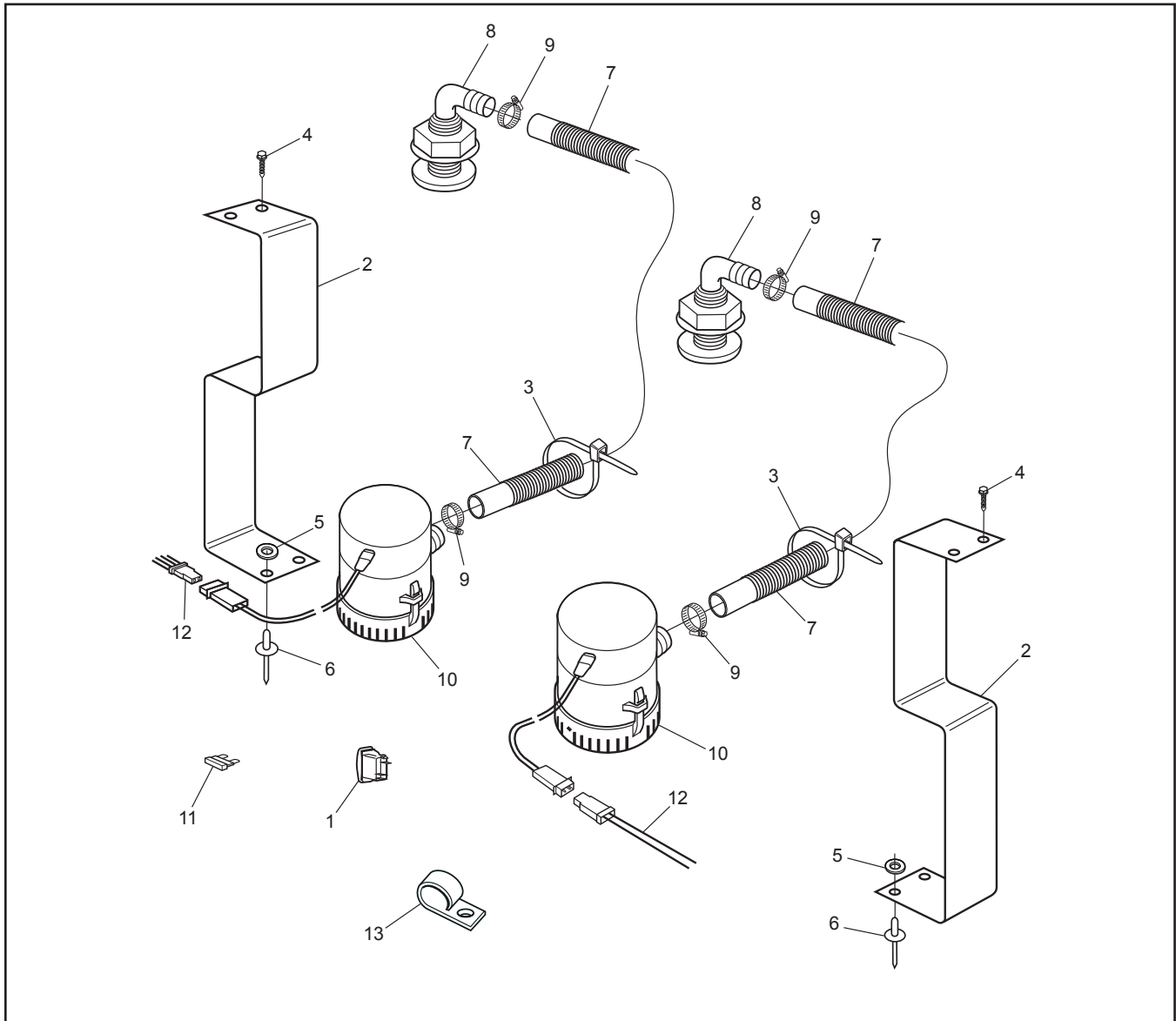
14.0 Accessories



Ref.	Qty.	Part #	Description
1	1	608-39	Backpad Asm - Black
2	1	608-88	Seat Asm, Bench - Thick
3	1	950-15	WLDT, Rear Bench, XT
4	1	950-16	WLDT, RH Rear Support, XT
5	1	950-17	WLDT, LH Rear Support, XT
6	1	958-70HDW	HDW, Rear Bench Seat, XT
7	4	103-03	PHMS 1/4-20 x 1.50 Zn
8	8	108-03	Lockwasher 1/4 Split Ring Zn
9	4	108-107	Lockwasher 1/2" High Alloy
10	4	108-35	Washer .53x1.06x.09 Zn
11	4	112-04	HHCS 1/4-20x3/4 Gr5 Zn
12	4	112-211	HHCS 1/2-13x0.75 Gr5 Zn
13	8	120-09	Rivet - 3/16 x 1.0 Black
14	8	120-04	Washer .19x.50x.08 Zn
15	2	127-282	Plug, 1" Sq. Tube
16	2	104-70	Pin, 3/8", Weld-in, Spring Ld

14.0 Accessories

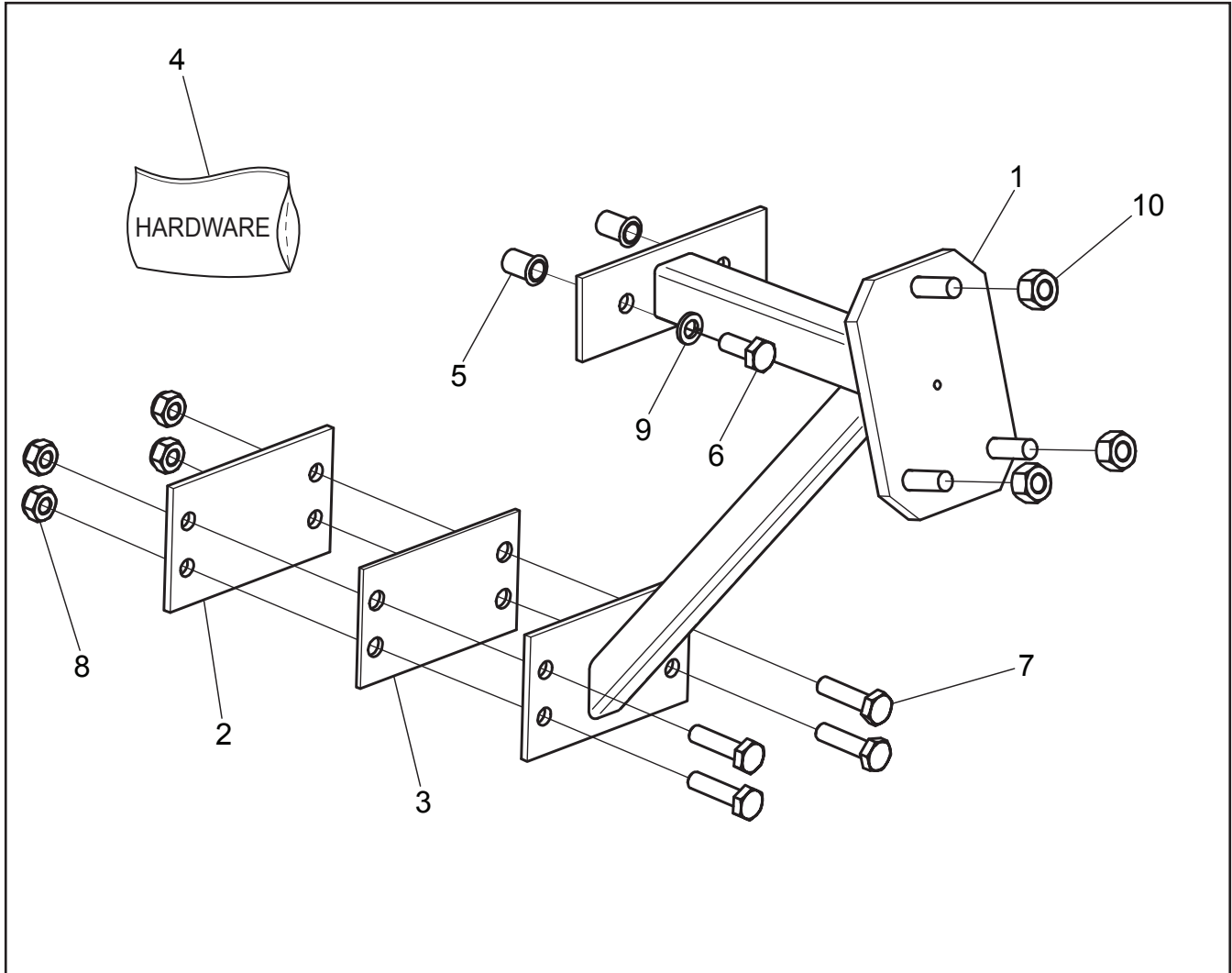
958-71 Bilge Pump Assembly



Ref.	Qty.	Part #	Description
1	1	613-154	Switch, Bilge Pump
2	2	849-144	Bracket, Bilge Pump
3	8	100-102	Tie Wrap - 14" - White
4	6	112-102	Screw, Self Drilling - 12-14 x 3/4"
5	4	120-04	Washer, 3/16"
6	4	120-13	Rivet, 3/16" x 3/4"
7	2	638-05	Flex Hose, 3/4" x 3'
8	2	958-153	Hull 3/4"W/ 90 Deg. Fitting
9	4	638-16	Gear Clamp
10	2	638-18	Bilge Pump & Wire Ass'y
11	1	118-52	Fuse, 10A 2-Prong
12	1	613-200	Wire Harness, Bilge Pump XT
13	2	127-24	Clamp, Nylon - 1" ID

958-75 Rear Tire Carrier

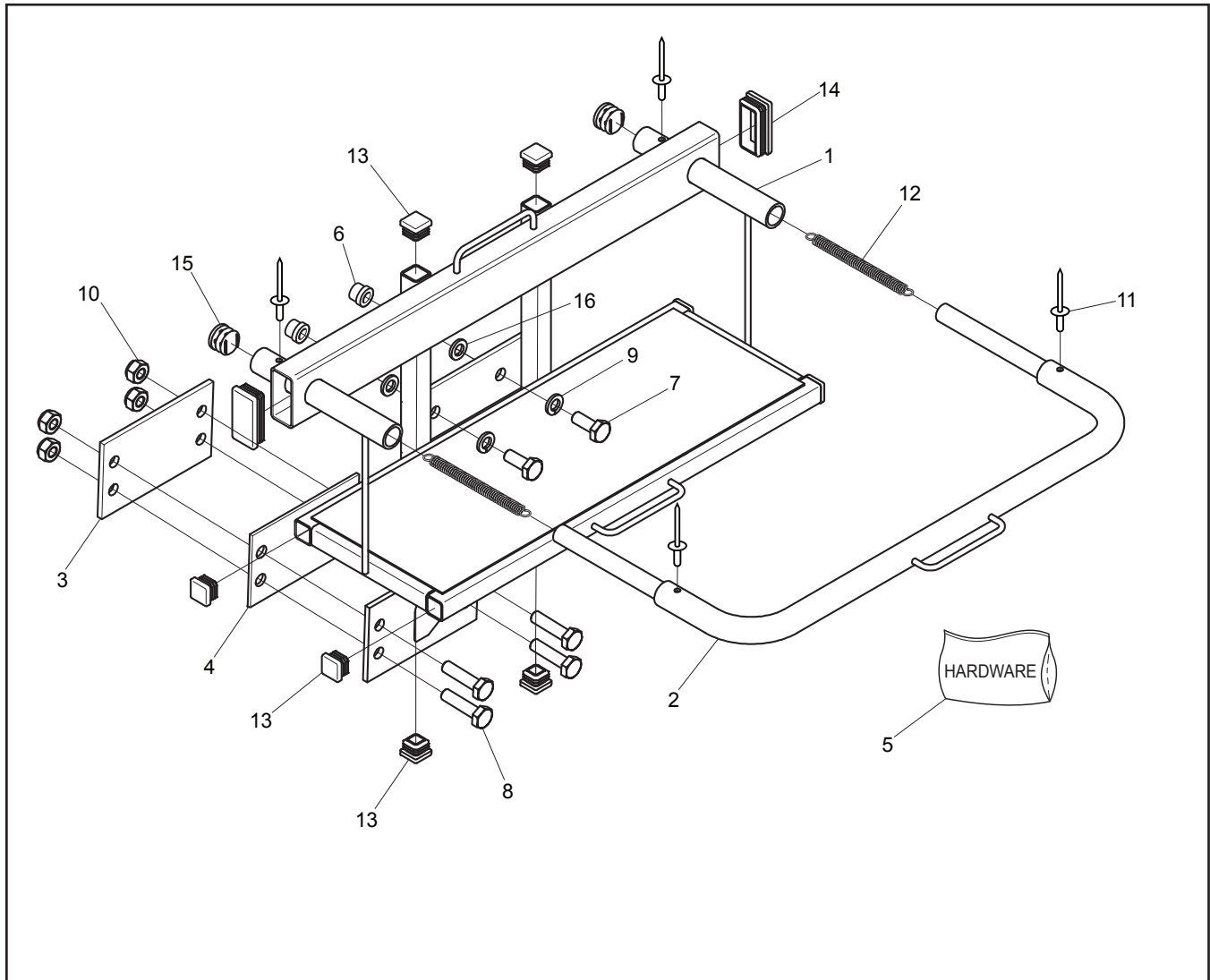
14.0 Accessories



Ref.	Qty.	Part #	Description
1	1	958-76	Asm, Tire Carrier-XT
2	1	616-18	Plate, Hitch
3	1	616-20	Gasket, Rear Hitch
4	1	958-75HDW	Hardware, Tire Carrier-XT
5	2	117-70	Insert, M10x1.5-13.5mm OD
6	2	112-93	HHCS M10x1,5x25mm
7	4	112-92	HHCS M10x1,5x40mm Zn
8	4	117-60	Locknut, Nyloc M10x1.5mm Zn
9	2	108-67	Lockwasher M10 Split-Ring Zn
10	3	117-35	Nut, Wheel 7/16-20 Zn

14.0 Accessories

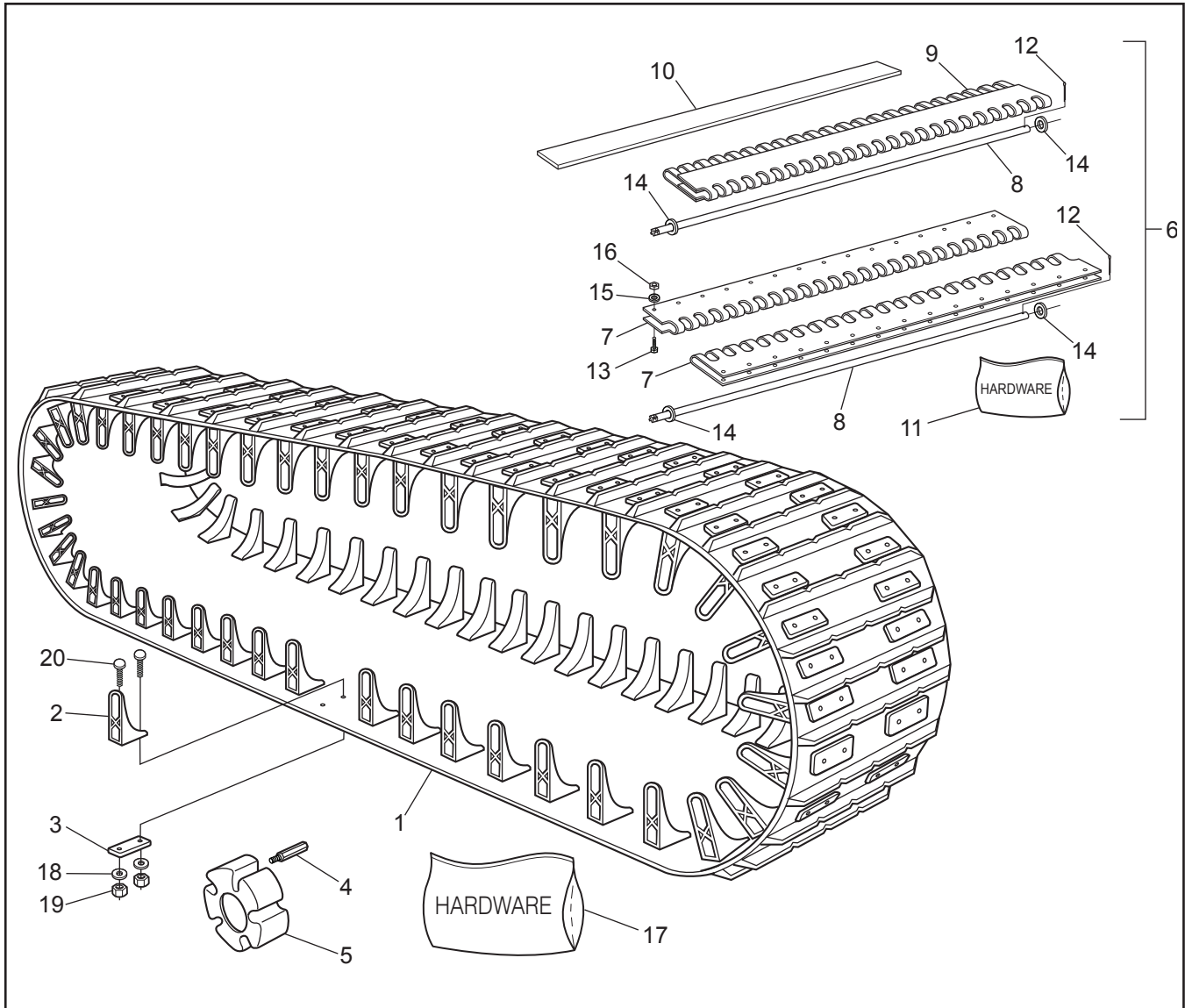
958-80 Fuel Carrier



Ref.	Qty.	Part #	Description
1	1	958-81	Asm, Can Carrier
2	1	867-04	Asm, Can Carrier - Restraint
3	1	616-18	Plate, Hitch
4	1	616-20	Gasket, Rear Hitch
5	1	958-80HDW	HDW, Gas Can Carrier-XT
6	2	117-70	Insert, M10x1.5-13.5mm OD
7	2	112-93	HHCS M10x1,5x25mm
8	4	112-92	HHCS M10x1,5x40mm Zn
9	2	108-67	Lockwasher M10 Split-Ring Zn
10	4	117-60	Locknut, Nyloc M10x1.5mm Zn8
11	4	120-32	Rivet, 3/16 x 1.075 Black
12	2	127-224	Spring, Ext. 3/8 x 4.5"
13	8	867-18	Plug, End 3/4" Tube-Black
14	2	867-19	Plug, End 1.0 x 2.0 Tube-Black
15	2	867-17	Plug, OD 7/8" ID 0.685"-Black
16	2	108-47	Washer .39x.94x13 Zn Di-Chro

958-88 Track Assembly

14.0 Accessories

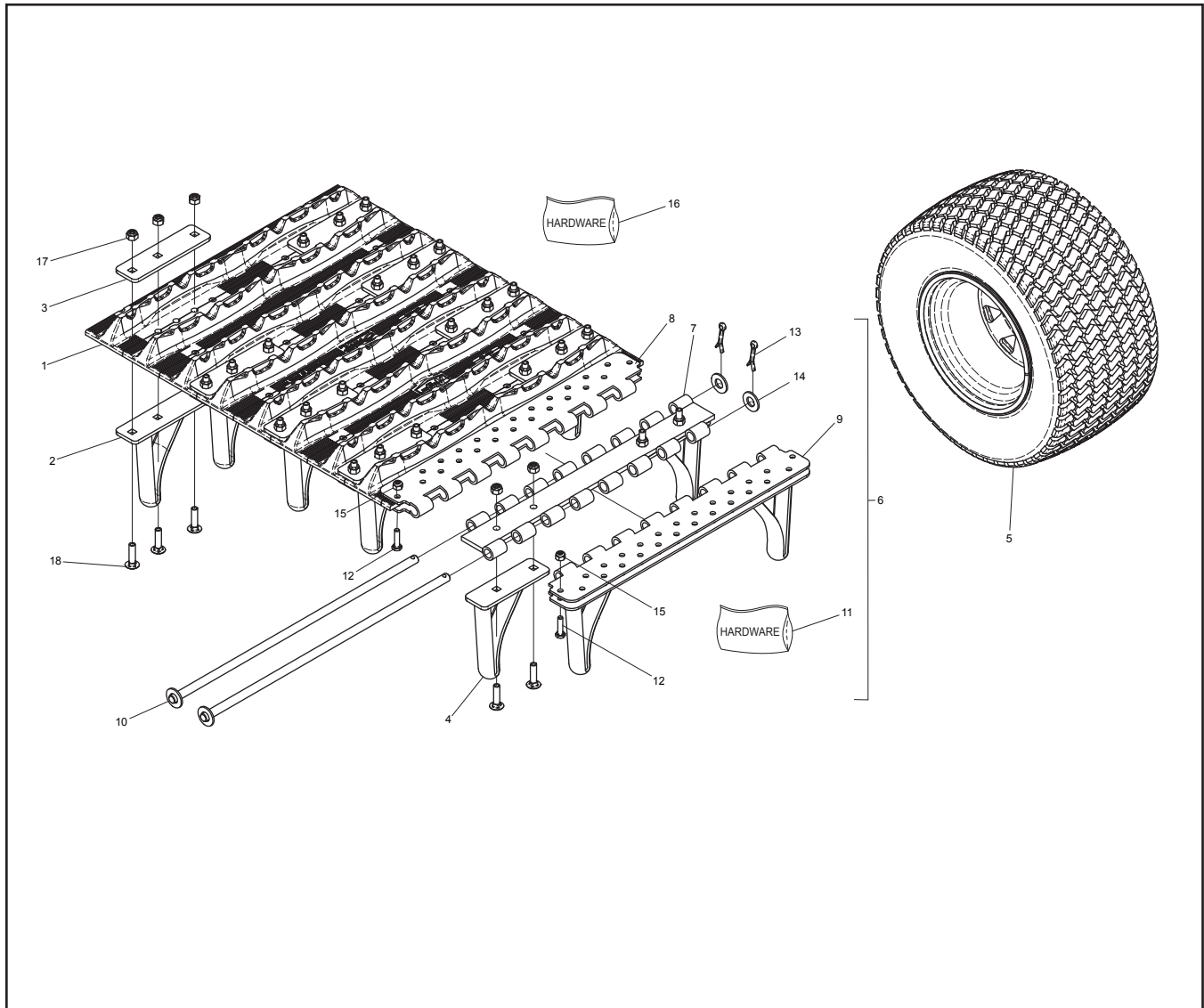


Ref.	Qty.	Part #	Description
1	2	825-51	Track, Rubber - Argo
2	180	825-52-1	Guide, Track - Argo - Nylon
3	180	825-53	Plate, Track Backing - Argo
4	42	127-103	Extension Stud, Centaur
5	8	605-77	Extension Axle
6	1	958-86	Hinge Set & Extensions-XT -includes the following:
7	4	825-54	Hinge, Track Lacing - 18"
8	4	825-56	Pin, Track - 18"
9	6	825-57	Track Extension - 2" x 18"
10	2	958-87	Spacer, Hinge, XT
11	1	825-55HDW	Hardware Kit includes the following:
12	8	100-100	Pin, Cotter 1/8 x 3/4 Zn

Ref.	Qty.	Part #	Description
13	60	103-08	HHCS 1/4-20 x 1.0 Zn
14	16	108-23	Washer .42 x .81 x .06 Gr8 Zn
15	76	108-08	Washer .28 x .62 x .07 Zn
16	60	117-27	Locknut, Nylon 1/4-20 Zn
17	1	958-88HDW	Hardware Kit includes the following:
18	370	108-24	Washer, .34 x .70 x .06 Zn
19	370	117-21	Locknut, Nylon 5/16-18"
20	370	112-155	Bolt, Carriage

14.0 Accessories

958-88HD Track Assembly

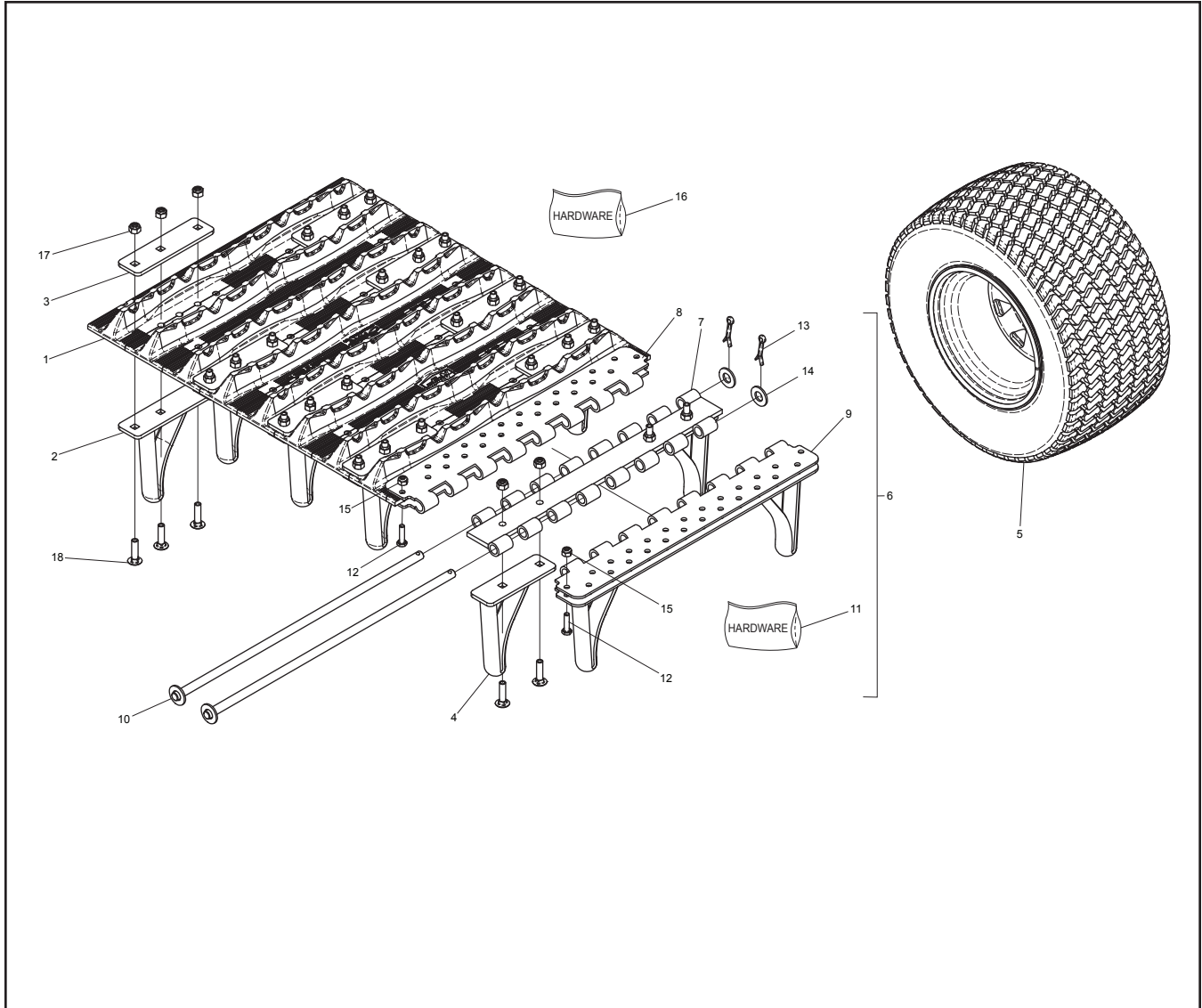


Ref.	Qty.	Part #	Description
1	2	825-51-1	Track, Rubber - Argo
2	172	849-245	Guide, Track Welded
3	172	849-243P	Plate, Guide Track
4	4	849-294	Guide, Track Welded, Short
5	8	127-215	Tire + Rim Ass'y - Multitrac XT HD
6	1	958-91	Hinge Set, Tracks - HD, XT includes the following:
7	2	849-241	Spacer, Track Lacing
8	2	849-302	Hinge, Track, HD
9	2	849-301	Hinge, Track HD, Guide
10	4	849-247	Rod, Hinge Ass'y

Ref.	Qty.	Part #	Description
11	1	958-91HDW	Hardware Kit, Hinge Set, Tracks HD, XT includes the following:
12	100	103-08	HHCS 1/4-20 x 1.0 Zn
13	4	104-71	Pin, Cotter 3/16 x 1.25 Zn
14	4	108-35	Washer .53 x 1.06 x .09 Zn
15	100	117-27	Locknut, Nylon 1/4-20 Zn
16	1	958-88HDW	Hardware Kit - Rubber Tracks - HD, XT includes the following:
17	532	117-21	Locknut, Nylon 5/16-18"
18	532	112-155	Bolt, Carriage

958-88-4HD Track Assembly

14.0 Accessories

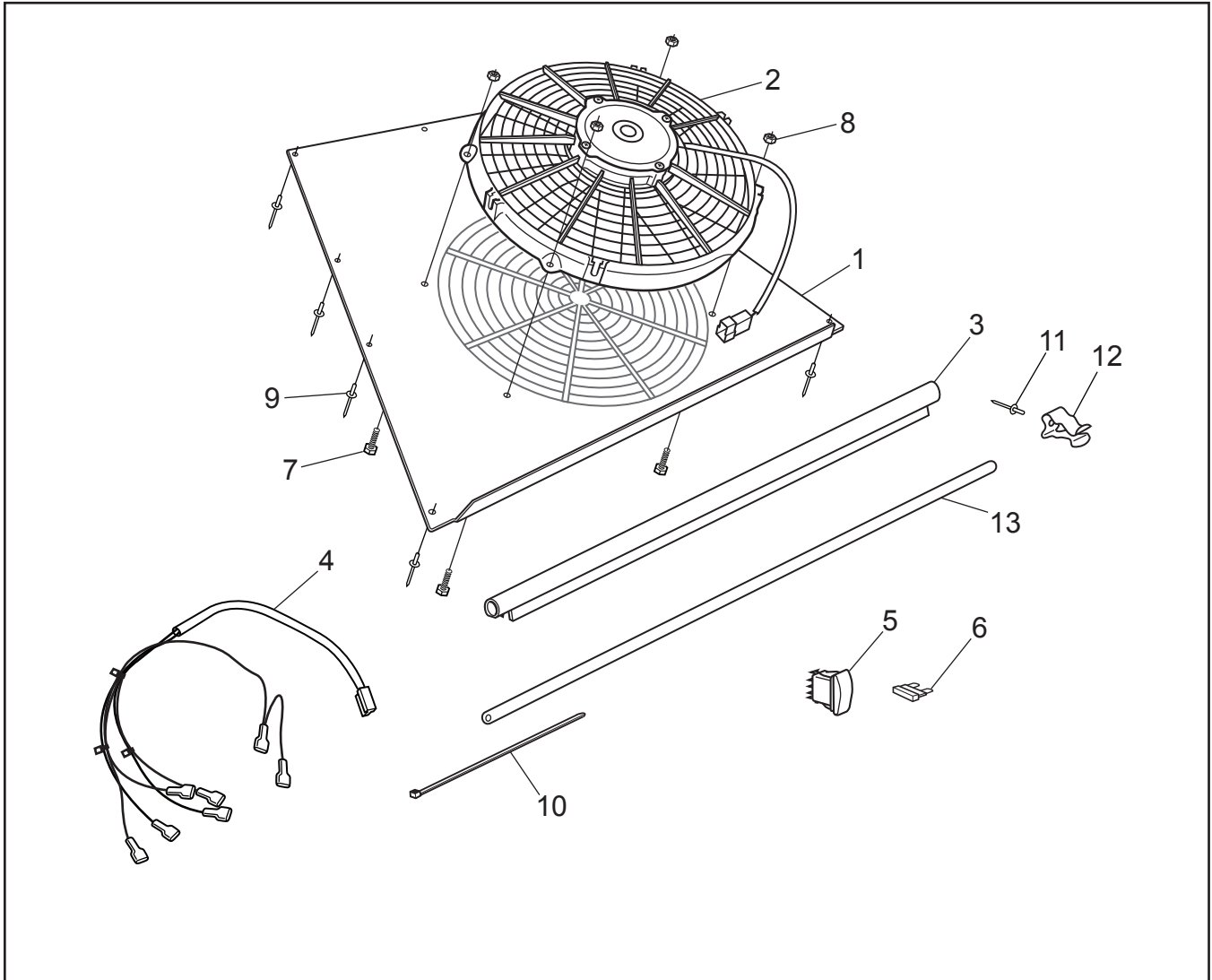


Ref.	Qty.	Part #	Description
1	4	825-51-1	Track, Rubber - Argo
2	200	849-245	Guide, Track Welded
3	200	849-243P	Plate, Guide Track
4	8	849-294	Guide, Track Welded, Short
5	8	127-215	Tire + Rim Ass'y - Multitrac XT HD
6	1	958-92	Hinge Set, Tracks - 4HD, XT includes the following:
7	4	849-241	Spacer, Track Lacing
8	4	849-302	Hinge, Track, HD
9	4	849-301	Hinge, Track HD, Guide
10	16	849-247	Rod, Hinge Ass'y

Ref.	Qty.	Part #	Description
11	1	958-92HDW	Hardware Kit, Hinge Set, Tracks 4HD, XT includes the following:
12	200	103-08	HHCS 1/4-20 x 1.0 Zn
13	16	104-71	Pin, Cotter 3/16 x 1.25 Zn
14	16	108-35	Washer .53 x 1.06 x .09 Zn
15	200	117-27	Locknut, Nylon 1/4-20 Zn
16	1	958-88-4HD-HDW	Hardware Kit - Rubber Tracks - HD, XT includes the following:
17	600	117-21	Locknut, Nylon 5/16-18"
18	600	112-155	Bolt, Carriage

14.0 Accessories

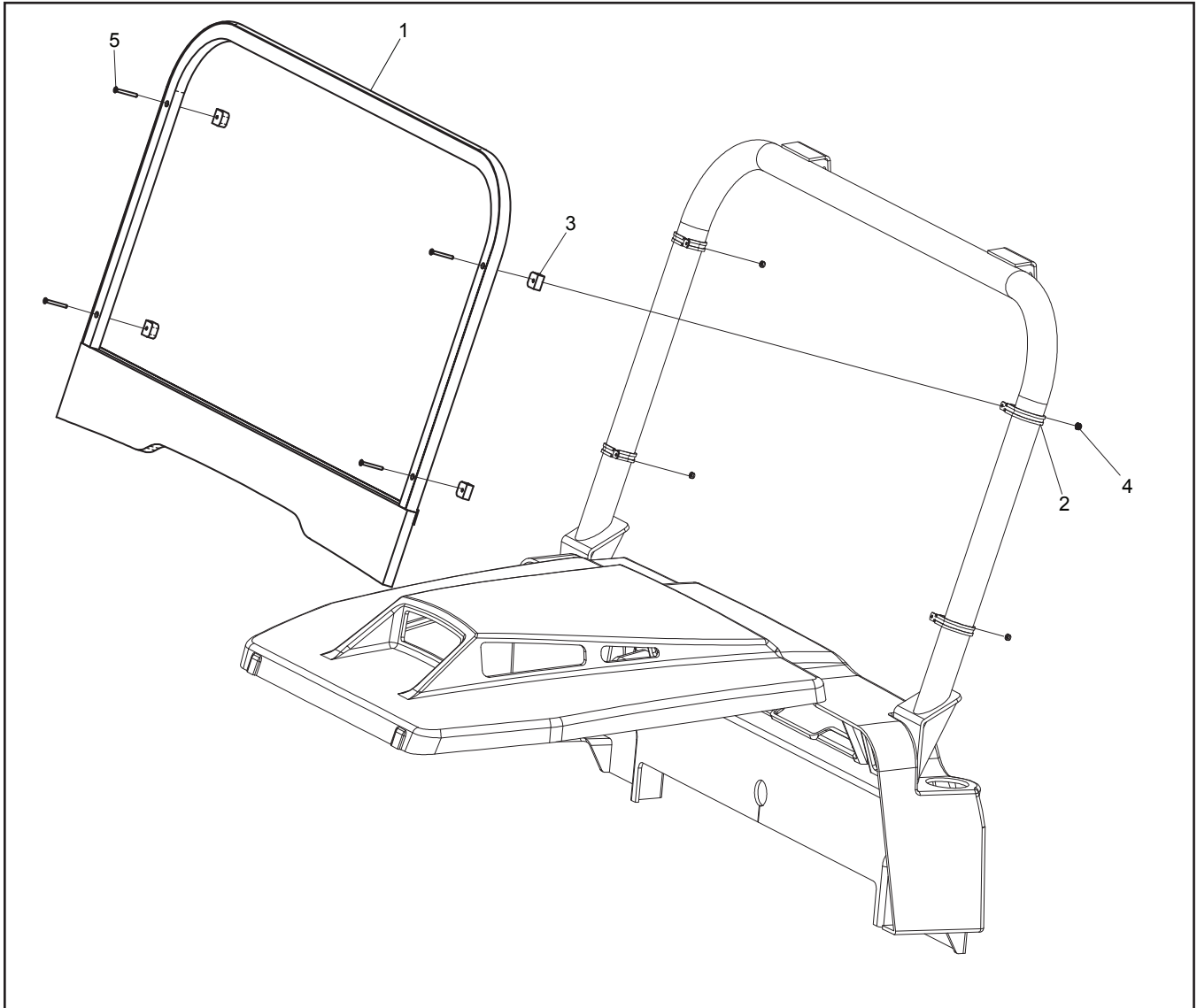
958-89 Hood Fan



Ref.	Qty.	Part #	Description
1	1	952-261	Mount, Hood Fan II - XT
2	1	953-50	Fan, Hood - XTI
3	1	952-165	Seal, Hood Fan - XTI
4	1	613-201	Wire Harness, Hood Fan
5	1	613-202	Switch, Hood Fan
6	1	118-53	Fuse, 20A 2-Prong (At020)
7	4	112-04	HHCS 1/4-20 x 3/4 Gr5 Zn
8	4	117-82	Locknut, Flange 1/4-20 Zn
9	24	120-13	Rivet - 3/16 x 3/4 Black
10	2	100-64	Tie Wrap - 5.5" - Black
11	1	120-15	Rivet - 1/8 x 7/16
12	1	127-285	Retainer, Hood Prop
13	1	955-103	Prop Rod, Hood

958-90 Windshield

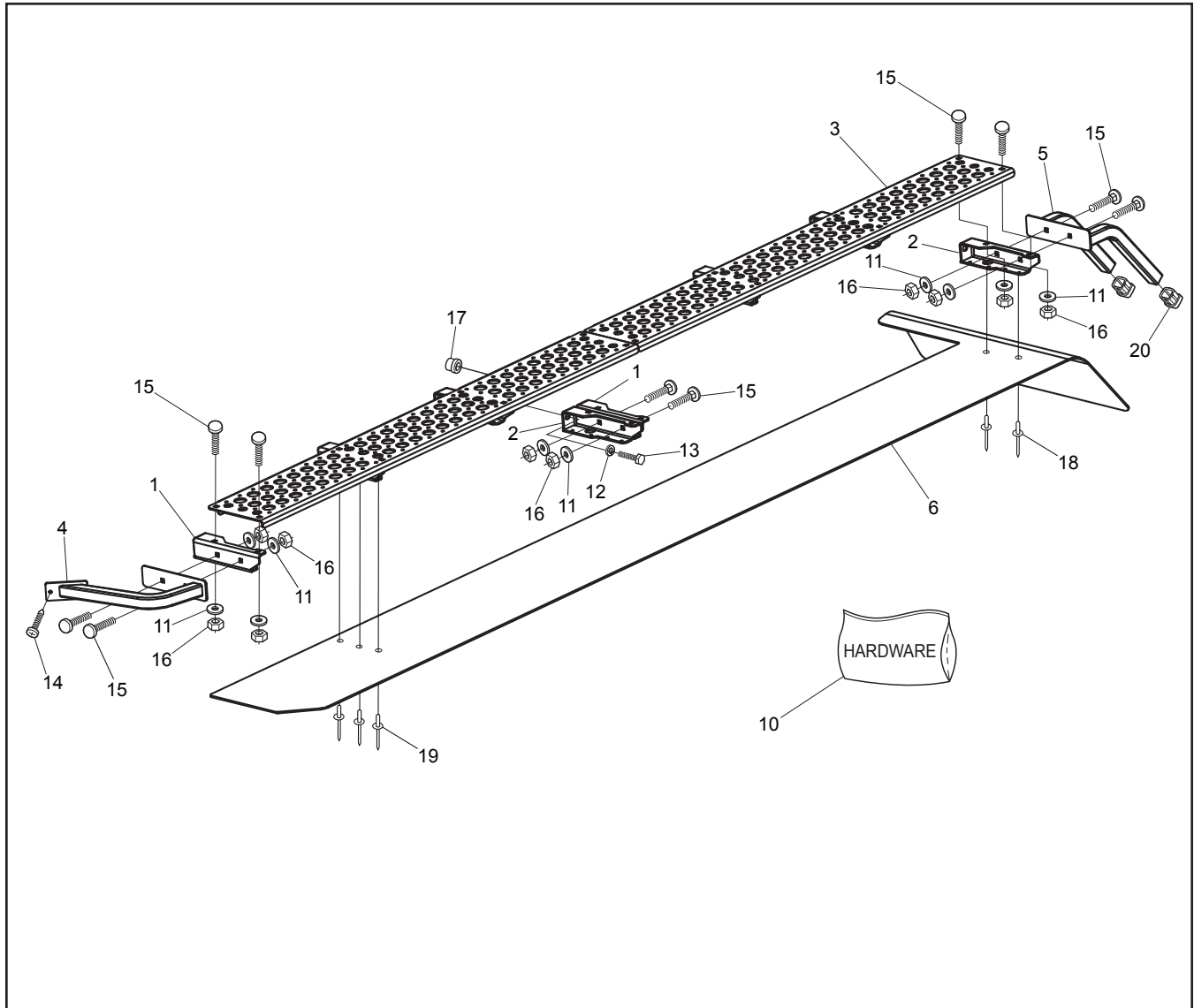
14.0 Accessories



Ref.	Qty.	Part #	Description
1	1	958-90	Windshield Asm, XTI
2	4	127-240	Clamp, 2.0" Loop - Rubber Cush
3	4	958-94	Spacer, Windshield - XTI
4	4	117-10	Locknut, 10-24 N/I Zn
5	4	112-222	FHCS 10-24 x 1.75, Black

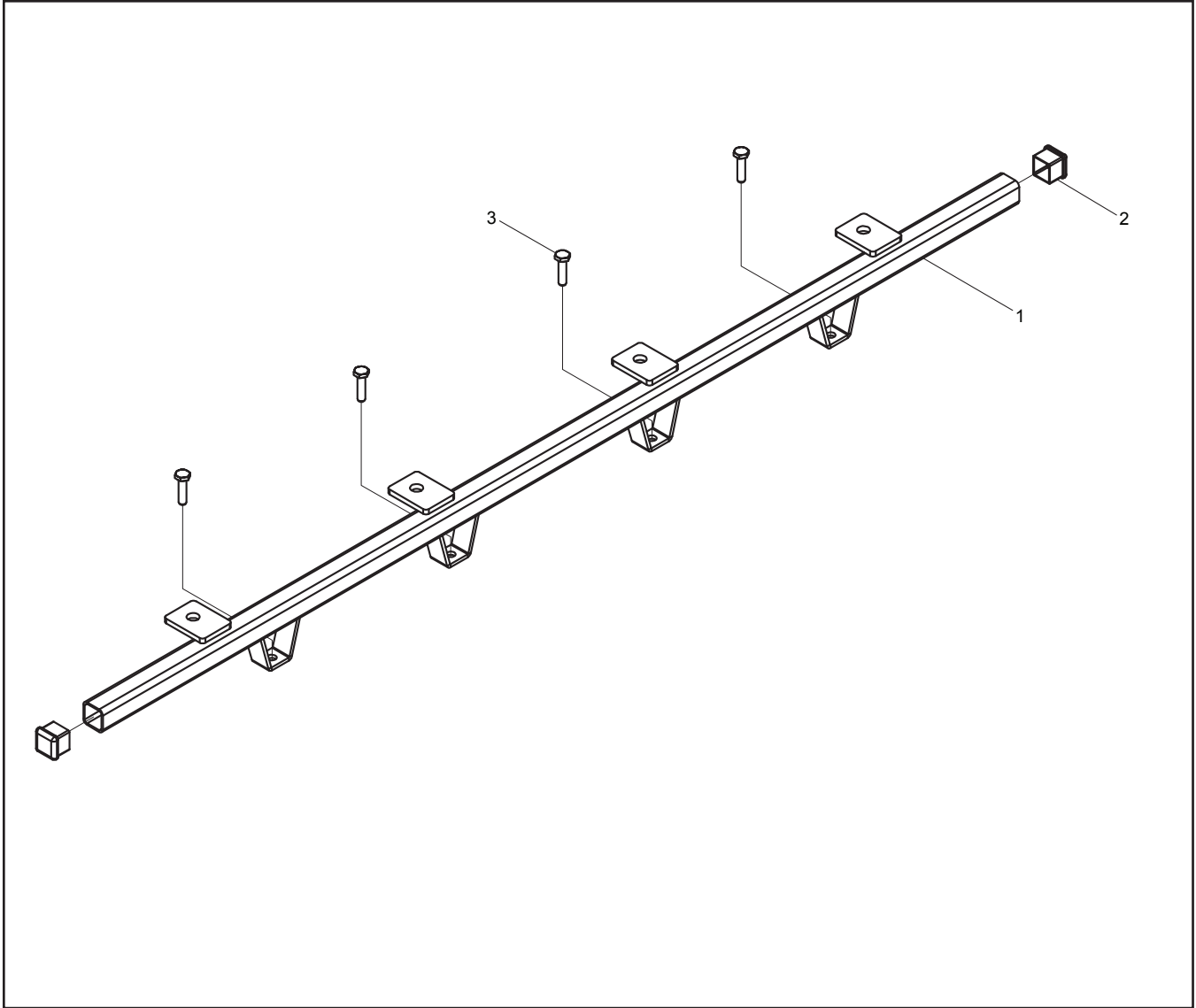
14.0 Accessories

958-93 Cat Walk Mudflap



Ref.	Qty.	Part #	Description
1	8	952-205	Bracket, Supt Step LH
2	8	952-206	Bracket, Supt Step RH
3	4	952-207	Step, Platform
4	2	950-34	Tube Asm, Front Step
5	2	950-35	Tube Asm, Rear Step
6	1	951-19	Mudflap, Catwalk LH
7	1	951-20	Mudflap, Catwalk RH (not shown)
8	1	658-73	Tool, Expand M10 Rivet Nut
10	1	958-93HDW	Hardware, Cat Walk Mudflap XT
11	44	108-24	Washer .34x.70x.06 Zn
12	16	108-67	Lockwasher M10 Split-Ring Zn
13	16	112-93	HHCS M10x1,5x25mm
14	2	112-102	Screw, Self Drill 12-14 x 3/4"

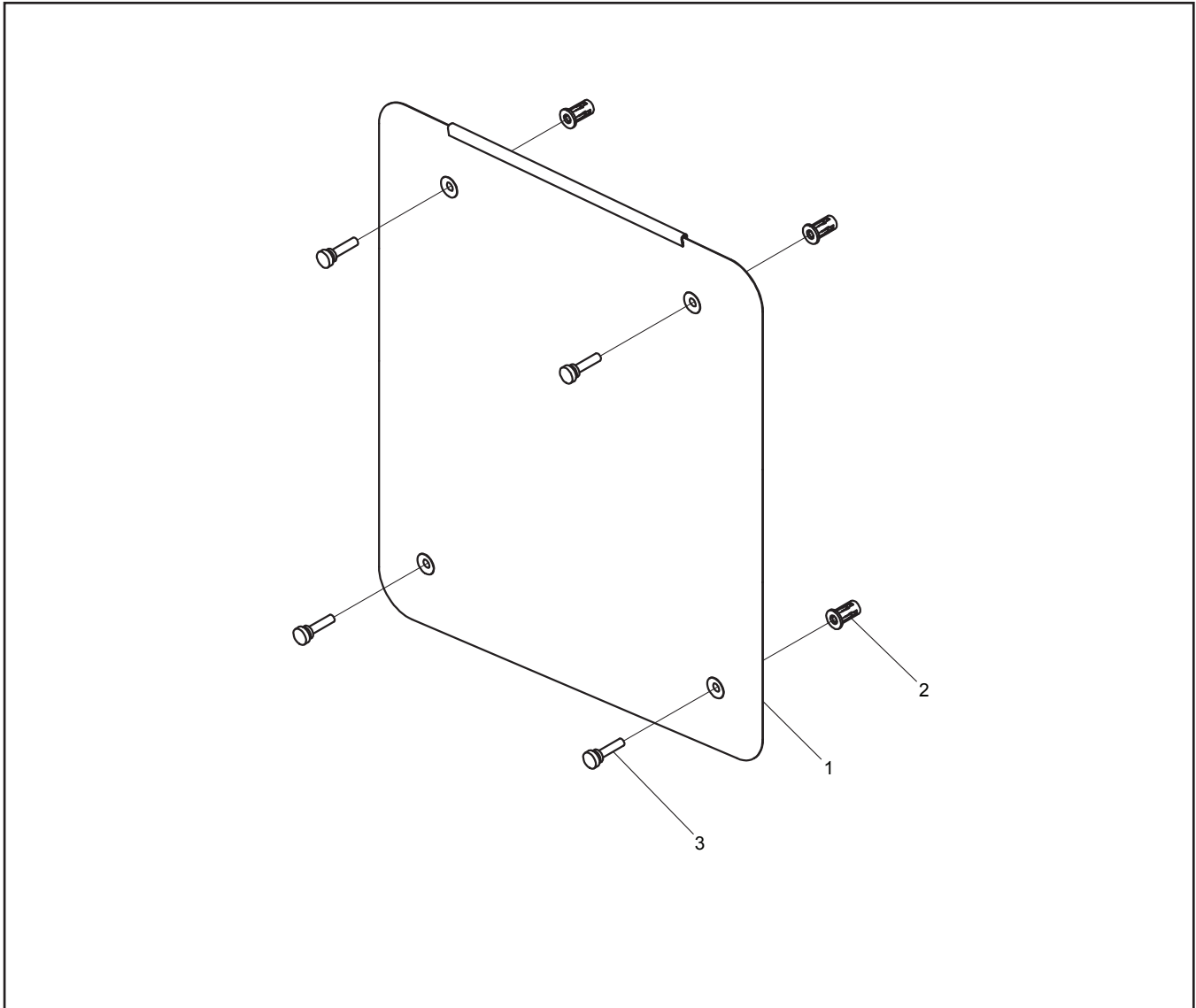
Ref.	Qty.	Part #	Description
15	44	112-227	C/Bolt, 5/16-18x3/4 Gr5 Zn
16	44	117-21	Locknut, Nylon 5/16-18 Zn
17	16	117-70	Insert, M10x1.5-13.5mm OD
18	4	120-09	Rivet - 3/16 x 1.0 Black
19	76	120-31	Rivet, 3/16" x 1/4", Open End
20	4	127-282	Plug, 1" Sq. Tube



Ref.	Qty.	Part #	Description
1	1	958-96	Bar, Light
2	2	849-88	Plug, 7/8" Sq Tube
3	4	103-08	HHCS 1/4-20x1.0 Zn

14.0 Accessories

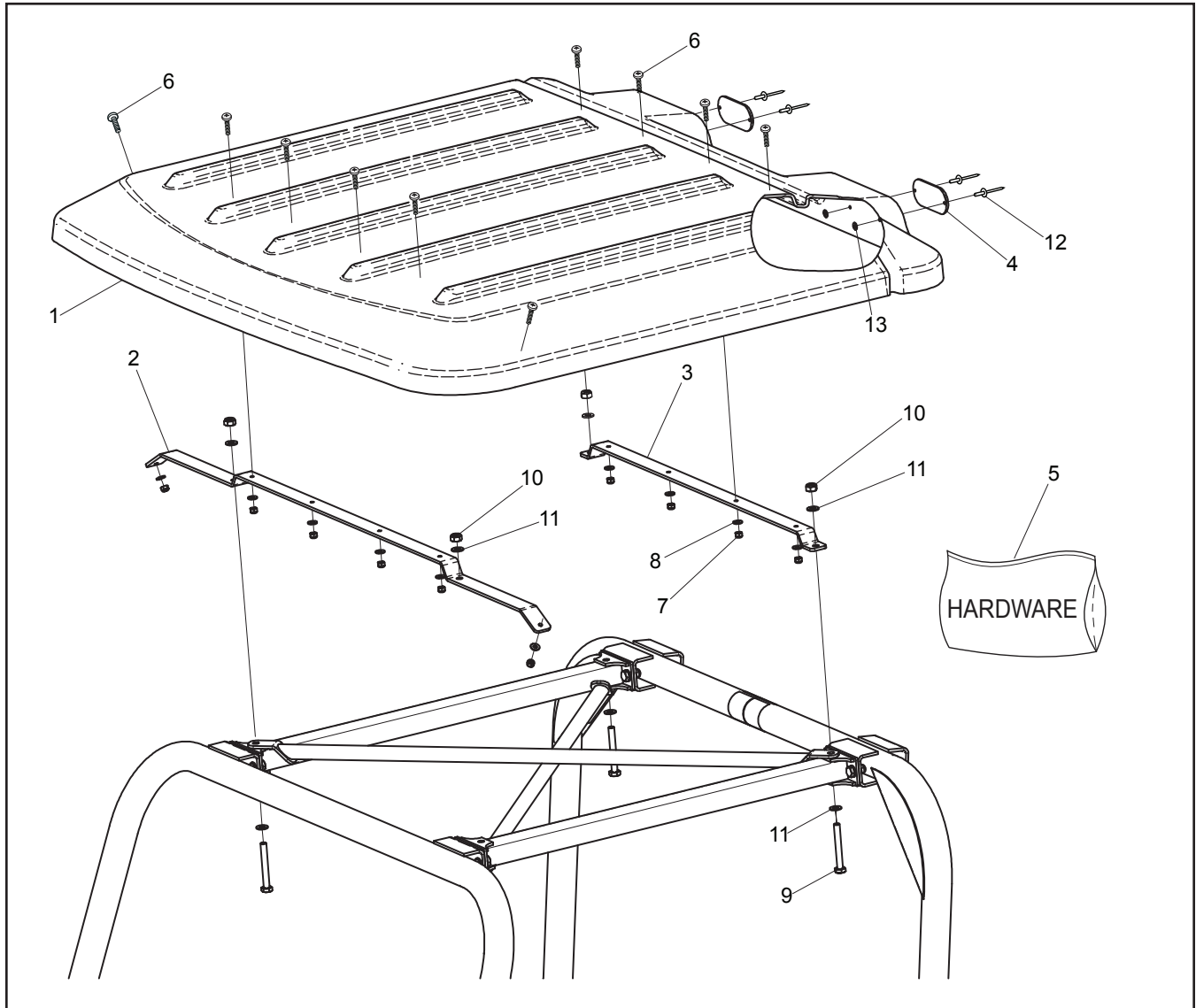
958-99 Intake Debris Screen



Ref.	Qty.	Part #	Description
1	1	707-54	Screen, Intake Debris, XT
2	4	117-53	Nut, Jack 1/4-20 8L-JNS Zn
3	4	117-89	Thumbscrew, 1/4-20X1, Nylon

958-102 Front Hard Roof

14.0 Accessories

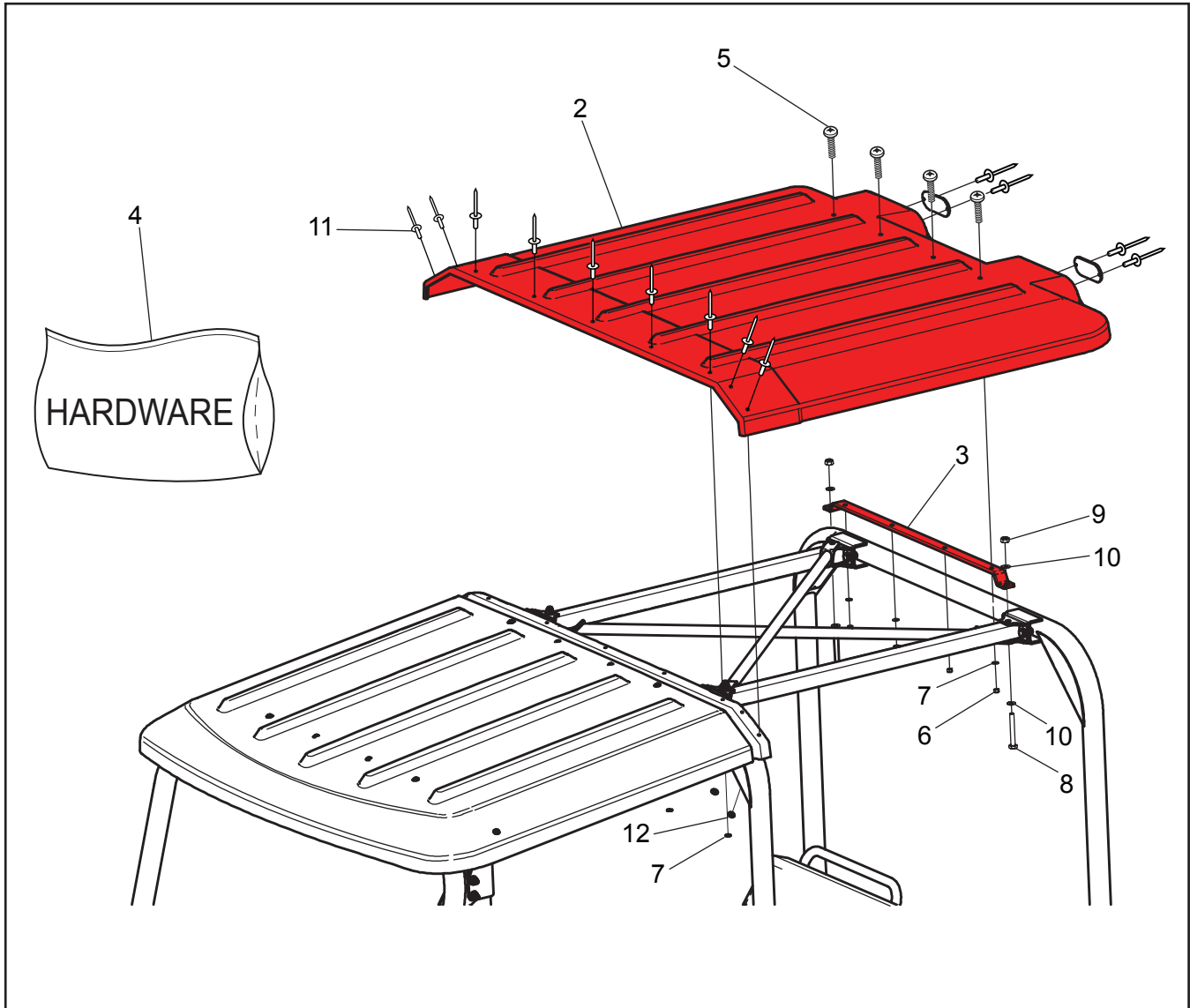


Ref.	Qty.	Part #	Description
1	1	958-103	Hard Top, Front - XT
2	1	958-106	Bracket, Front Mount - XT
3	1	958-107	Bracket Rear Mount - XT
4	2	127-01	Reflector, Red
5	1	958-102HDW	Hardware, 2 Person Hard Top - XT
6	10	103-73	THMS, Phil 1/4-20x.75 Zn
7	10	117-27	Locknut, Nylon 1/4-20 Zn
8	10	108-08	Washer .28x.62x.07 Zn
9	4	112-120	HHCS M10x1,5x80mm Zn
10	4	117-60	Locknut, Nyloc M10x1.5mm Zn 8
11	8	108-101	Washer, 0.41X0.79x0.08, Zn

Ref.	Qty.	Part #	Description
12	4	120-13	Rivet - 3/16 x 3/4 Black
13	4	120-05	Washer .19x.50x.04 Zn

14.0 Accessories

958-104 Rear Hard Roof

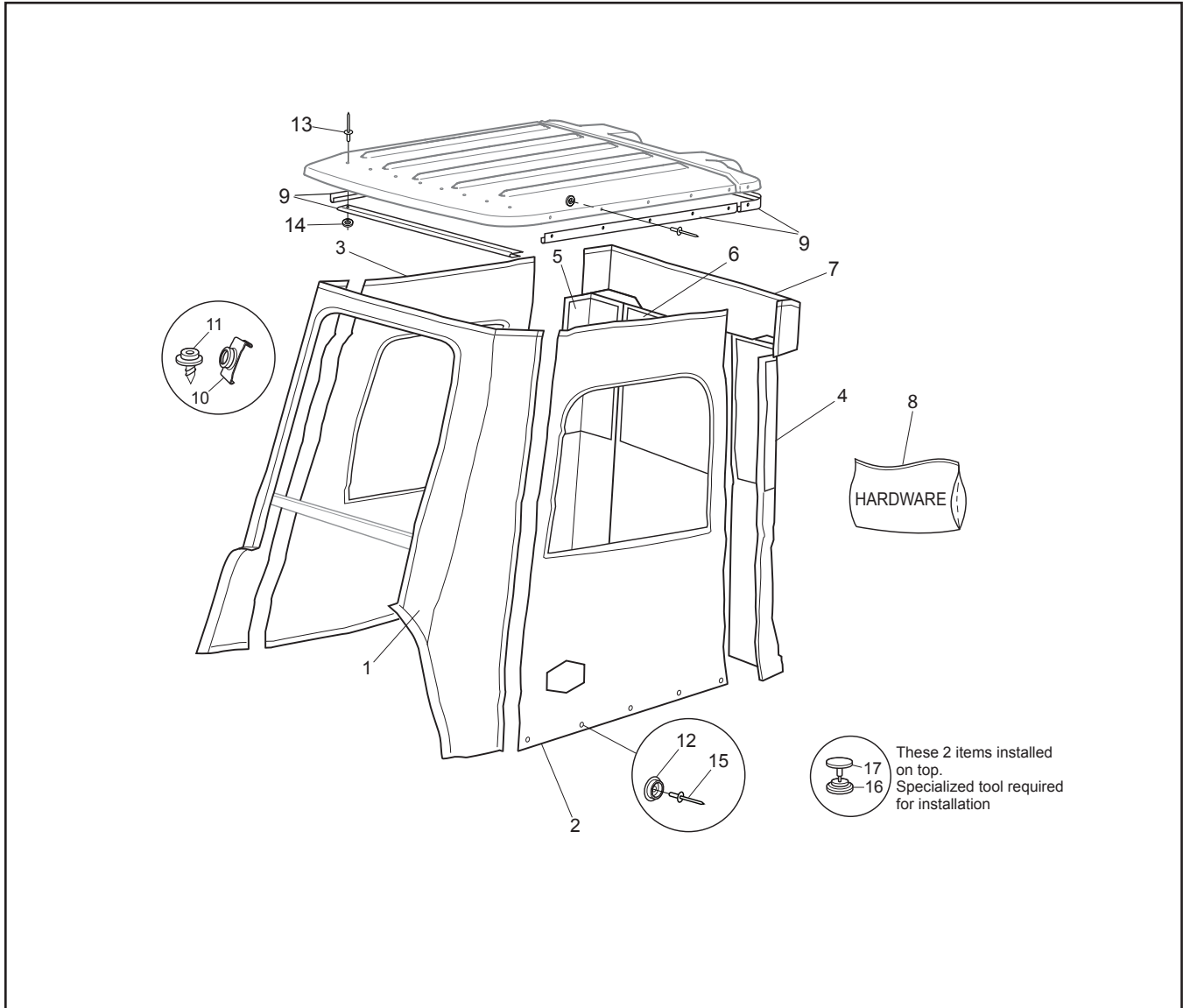


Ref.	Qty.	Part #	Description
1	1	958-102	Hard Top, 2 Person Acc - XT
2	1	958-105	Hard Top, Rear - XT
3	1	958-107	Brkt, Rr Mnt - XT Hard Top
4	1	958-104HDW	Hardware, 4 Person Hard Top - XT includes:
5	4	103-73	THMS, Phil 1/4-20x.75 Zn
6	4	117-27	Locknut, Nylon 1/4-20 Zn
7	4	108-08	Washer .28x.62x.07 Zn
8	2	112-120	HHCS M10x1,5x80mm Zn
9	2	117-60	Locknut, Nyloc M10x1.5mm Zn 8
10	4	108-101	Washer, 0.41x0.79x0.08, Zn

Ref.	Qty.	Part #	Description
11	10	120-13	Rivet - 3/16 x 3/4 Black
12	10	120-05	Washer .19x.50x.04 Zn

958-110 Two Person Canvas Enclosure

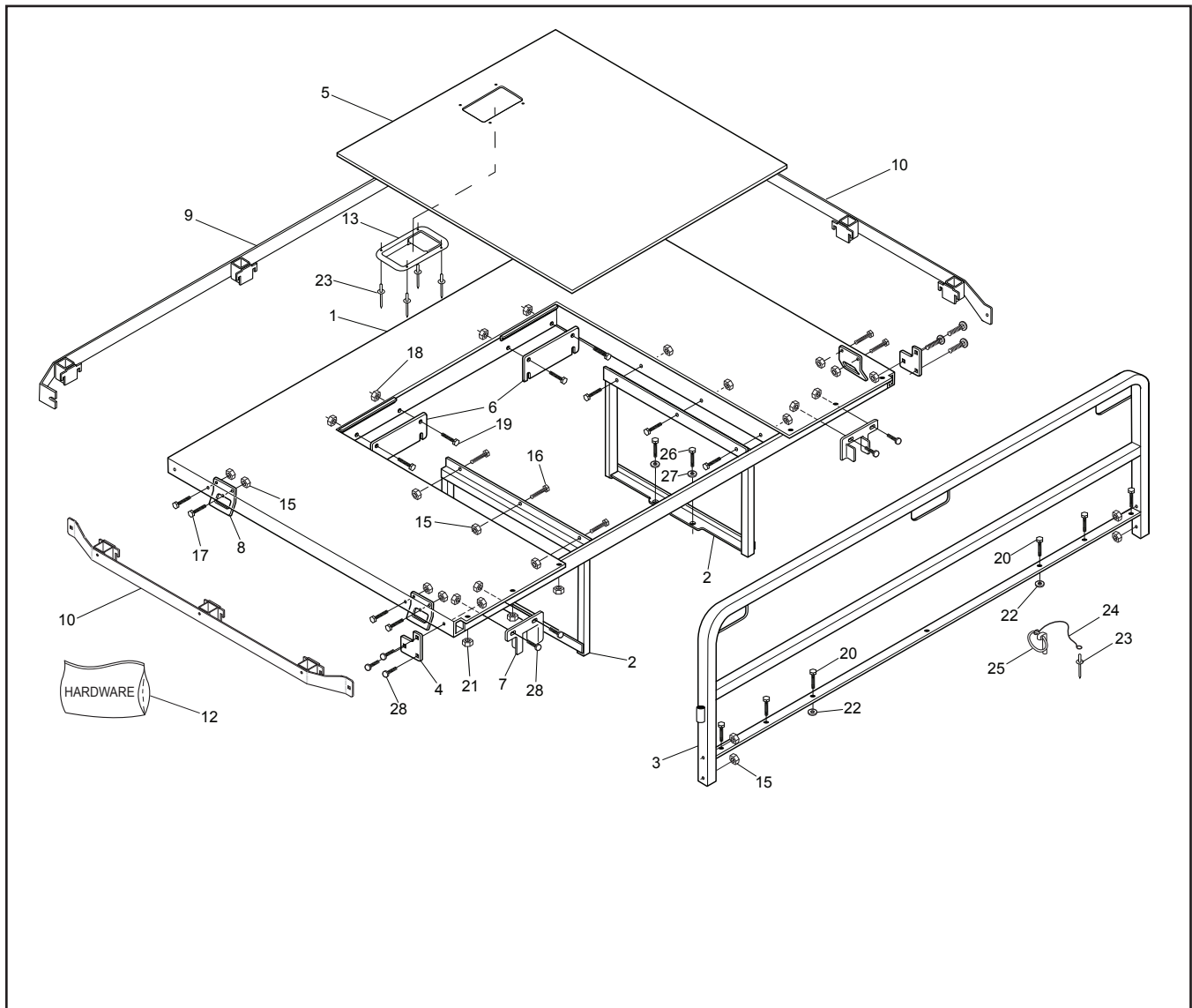
14.0 Accessories



Ref.	Qty.	Part #	Description	Ref.	Qty.	Part #	Description
1	1	958-132	Panel, Canvas - Windshield	11	16	627-10	Dome Stud #8 x 3/8" #688
2	1	958-133	Panel, Canvas - FR L Door	12	12	958-144	Dome, Blank
3	1	958-134	Panel, Canvas - FR R Door	13	30	120-11	Rivet, 5/32 x .157-.472
4	1	958-135	Panel, Canvas - FR Quarter Panel L	14	30	120-04	Washer .19x.50x.08 Zn
5	1	958-136	Panel, Canvas - FR Quarter Panel R	15	12	120-20	Rivet - 1/8 x 1/4
6	1	958-137	Panel, Canvas - FR Tailgate	16	17	4003E	Socket Nickle Plated Brass
7	1	958-138	Panel, Canvas - FR Tailgate HDR	17	17	4002E	Finish Cap Black Finish Brass
8	1	958-110HDW	Hardware, 2 Person Canvas Enclosure - XT includes:				
9	3	958-145	Track, J Clip - 60"				
10	11	627-02	Dome Snaps-Clip, Windshield				

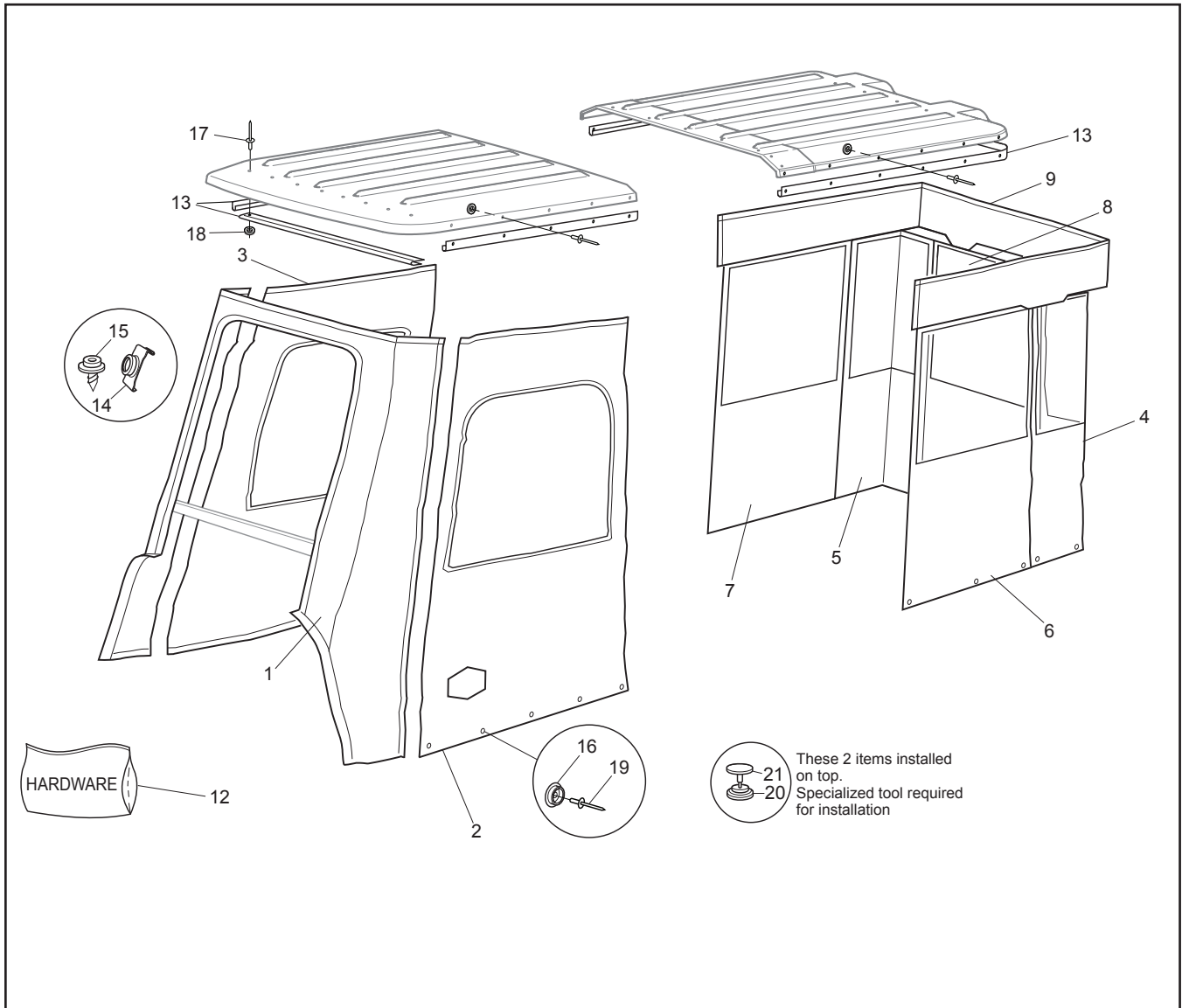
14.0 Accessories

958-112 XT Flat Bed



Ref.	Qty.	Part #	Description	Ref.	Qty.	Part #	Description
1	1	950-26	Frame, Flat Bed	17	6	112-27	HHCS 5/16-18x1.75 Gr5 Zn
2	2	958-119	Support Leg Flat Bed	18	4	117-29	Locknut, Nylon 3/8-16 Zn
3	1	950-28	Headboard	19	4	103-76	HHCS 3/8-16x1.75 Gr5 Zn
4	2	958-122	Bracket, Headboard	20	6	112-04	HHCS 1/4-20X3/4 Gr5 Zn
5	1	950-27	Hatch, Assembly	21	6	117-27	Locknut, Nylon 1/4-20 Zn
6	2	958-109	Bracket, Rear Mount	22	2	108-08	Washer .28x.62x.07 Zn
7	2	958-111	Bracket, Hoop Clamp	23	4	120-14	Rivet - 3/16 x 5/8 Black
8	4	958-113	Loop, Tie Down	24	1	622-125	Lanyard, Front Hitch EU
9	1	958-114	Stake Pocket, Rear	25	1	104-38	Pin, Hitch - 5/16 x 1.2"
10	2	958-121	Stake Pocket, Side	26	4		Supplied with vehicle
12	1	958-112HDW	Hardware, Flat Bed Basic	27	4		Supplied with vehicle
13	1	953-78	Latch, Paddle Slam, Flush Mount	28	22	103-112	C/Bolt 5/16-18x2.0 Gr5 Zn
14	2	112-11	C/Bolt 5/16-18 x 1.5 Gr5 Zn	29	4	117-69	Insert, M8x1.25-13.5mm OD
15	12	117-21	Locknut, Nylon 5/16-18 Zn	30	4	112-111	HHCS M8x1,25x20 (8.8) Zn
16	6	103-57	HHCS 5/16-18x1.5 Gr5 Zn				

958-115 Four Person Canvas Enclosure 14.0 Accessories

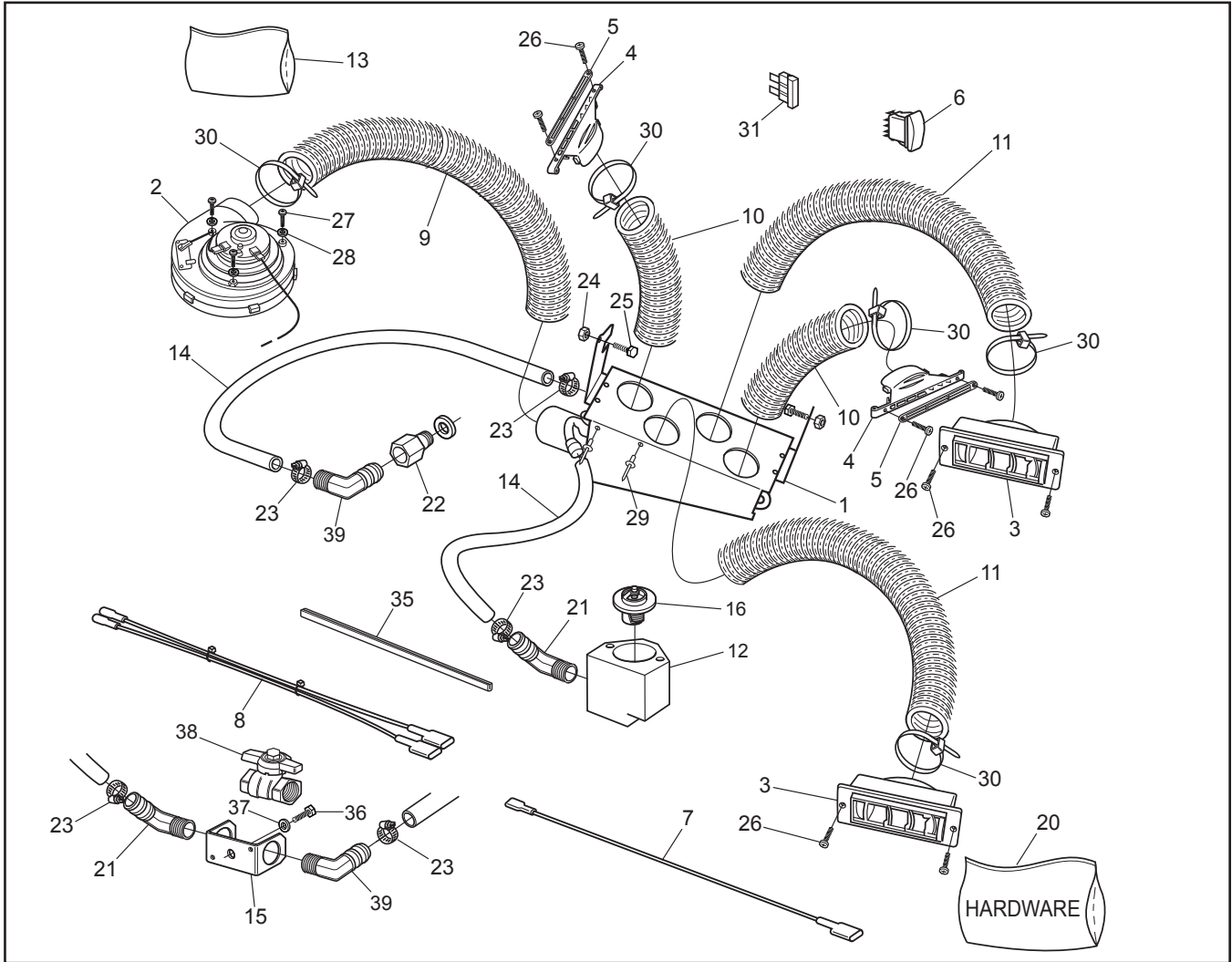


Ref.	Qty.	Part #	Description
1	1	958-132	Panel, Canvas - Windshield
2	1	958-133	Panel, Canvas - FR L Door
3	1	958-134	Panel, Canvas - FR R Door
4	1	958-139	Panel, Canvas - RR L Door
5	1	958-140	Panel, Canvas - RR R Door
6	1	958-141	Panel, Canvas - RR Center Panel L
7	1	958-142	Panel, Canvas - RR Center Panel R
8	1	958-143	Panel, Canvas - RR Tailgate
9	1	958-146	Panel, Canvas - RR Tailgate HDR

Ref.	Qty.	Part #	Description
12	1	958-115HDW	Hardware, 4 Person Canvas Enclosure - XT includes:
13	5	958-145	Track, J Clip - 60"
14	11	627-02	Dome Snaps-Clip, Windshield
15	12	627-10	Dome Stud #8 x 3/8" #688
16	32	958-144	Dome, Blank
17	42	120-11	Rivet, 5/32 x .157-.472
18	42	120-04	Washer .19x.50x.08 Zn
19	32	120-20	Rivet - 1/8 x 1/4
20	33	4003E	Socket Nickle Plated Brass (Snap Fastener)
21	33	4002E	Cap, Finish (Snap Fastener)

14.0 Accessories

958-129 Heater Kit - XTI



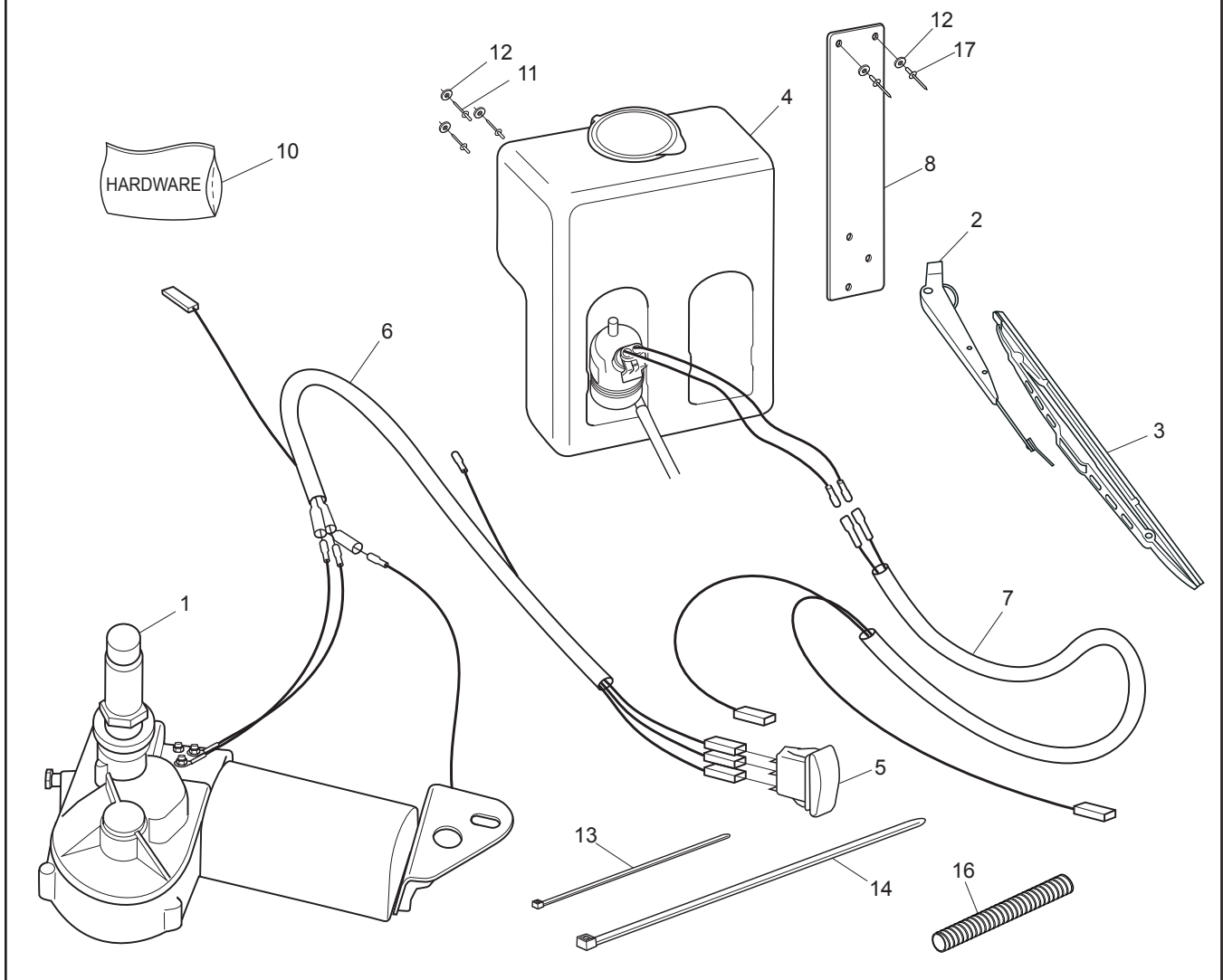
Ref.	Qty.	Part #	Description
1	1	958-127	Heater Box W/Core
2	1	953-56	Fan, Blower Heater
3	2	953-57	Louver, Heater Vent
4	2	953-58	Plenum, Defroster
5	2	953-59	Grill, Vent Defrost
6	1	613-157	Switch, Heater Fan
7	1	613-167	Ground Wire, Heater Switch
8	1	613-204	Wire Harness, Heater - XT
9	1	953-61	Hose, Inlet 3" x 24"
10	2	953-66	Hose, Duct Defrost 2.5"x12"
11	2	953-60	Hose, Heat 2.5" x 36"
12	1	848-106	Housing, Heater Kit
13	1	848-107	Thermostat- Gasket & Fasteners (incl. Ref. 16)
14	2.5	848-13RM	Hose, Heater - 5/8"IDx250' lg
15	1	848-114	Bracket, Shut Off Valve
16	1	66 453 03	205 Degree Thermostat & Gasket
20	1	958-129HDW	HDW, Heater/Defroster - XT
21	2	848-64	Barb, Hose 5/8x3/8NPTx45 Elbow

Ref.	Qty.	Part #	Description
22	1	848-174	Adapter, M12 x 1.25-3/8 FPT
23	4	638-16	Clamp, Gear 5/8" HF-10
24	2	117-27	Locknut, Nylon 1/4-20 Zn
25	2	112-04	HHCS 1/4-20x3/4 Gr5 Zn
26	8	103-24BL	OHPS T/S #6x1.0 Black Zn
27	3	103-48	T/S Pan HD Phil #10x5/8 A Blk
28	3	120-04	Washer .19x.50x.08 Zn
29	2	120-15	Rivet - 1/8 x 7/16
30	5	100-102	Tie Wrap - 14" - White - 50lb
31	1	118-49	Fuse, 15A 2-Prong (AT015)
32	1	952-218	Tool, Layout Defroster
33	1	952-219	Template, Defroster Location
34	1	952-220	Template, Heater Fan Install
35	1.5	601-107RM	Trim, Neoprene
36	1	112-96	HHCS M6x1x10mm Zn
37	1	108-03	Lockwasher 1/4 Split Ring Zn
38	1	848-113	Valve, Shutoff
39	3	848-31	Barb, Beaded Hose 90 Elbow

958-130 Windshield Wiper/Washer

14.0 Accessories

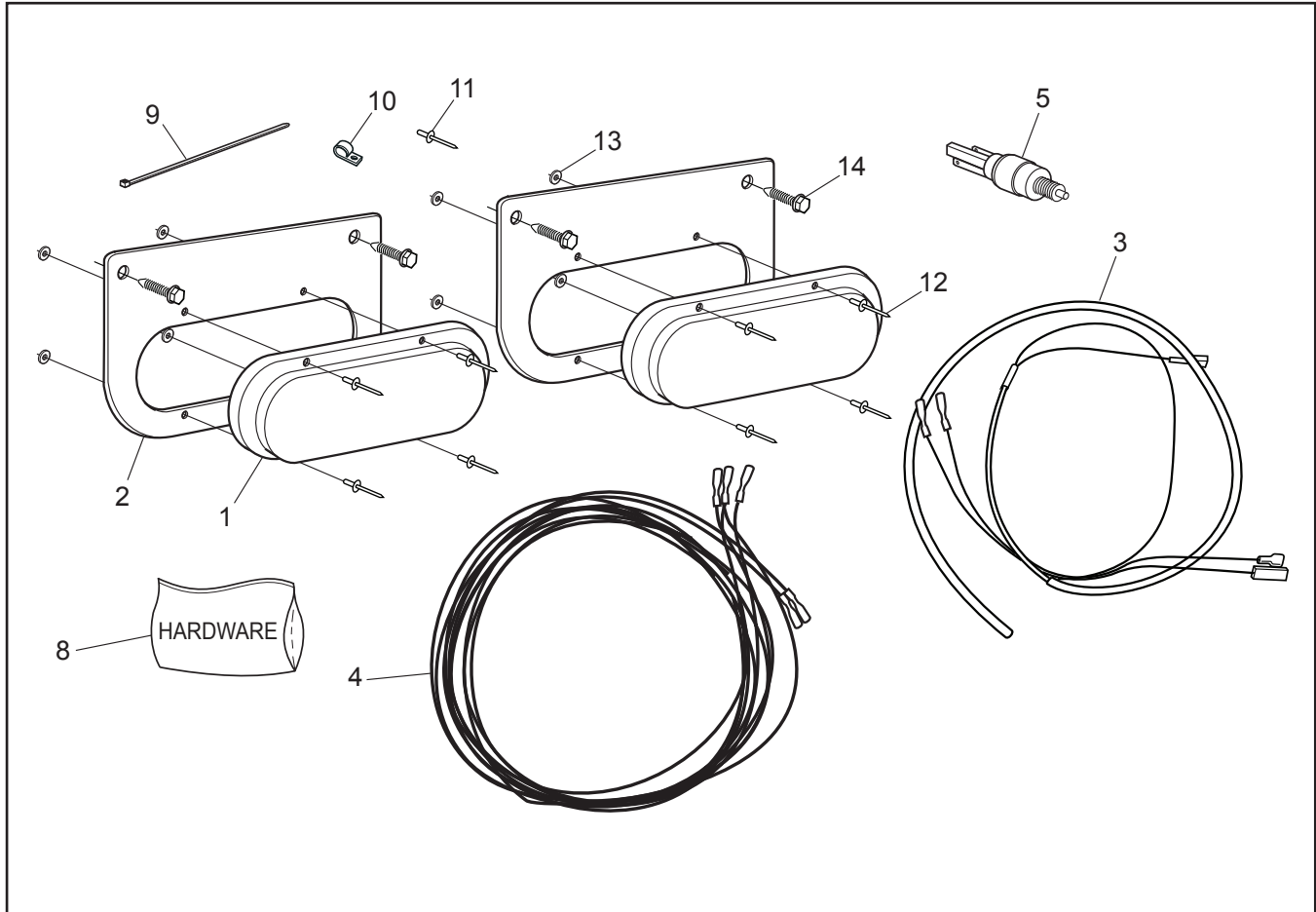
For 958-90 Fixed Windshield only. Will not work with 988-192 Fold Down Windshield.



Ref.	Qty.	Part #	Description
1	1	953-62	Motor, Wiper 110 Degree 2 SP
2	1	953-63	Arm, Wiper 14" -20" Black
3	1	953-64	Blade, Wiper 18" 7mm Bayonet
4	1	953-65	Reservoir, Washer W/Wet Arm
5	1	613-203	Switch, Wiper 1Spd W/Washer
6	1	613-205	Wire Harness, Wiper - XT
7	1	613-206	Wire Harness, Washer - XT
8	1	958-215	Bracket, Reservoir - XTD
10	1	958-130HDW	HDW, Wiper Washer XTI
11	5	120-13	Rivet - 3/16 X 3/4 Black
12	3	120-04	Washer .19x.50x.08 Zn
13	6	100-64	Tie Wrap - 5.5" - Black
14	2	100-102	Tie Wrap - 14" - White - 50lb
15	3	118-75	Terminal, Male Bullet Red
16	.5	613-207-6	Loom, Nylon .25" ID
17	2	120-14	Rivet - 3/16 x 5/8 Black

14.0 Accessories

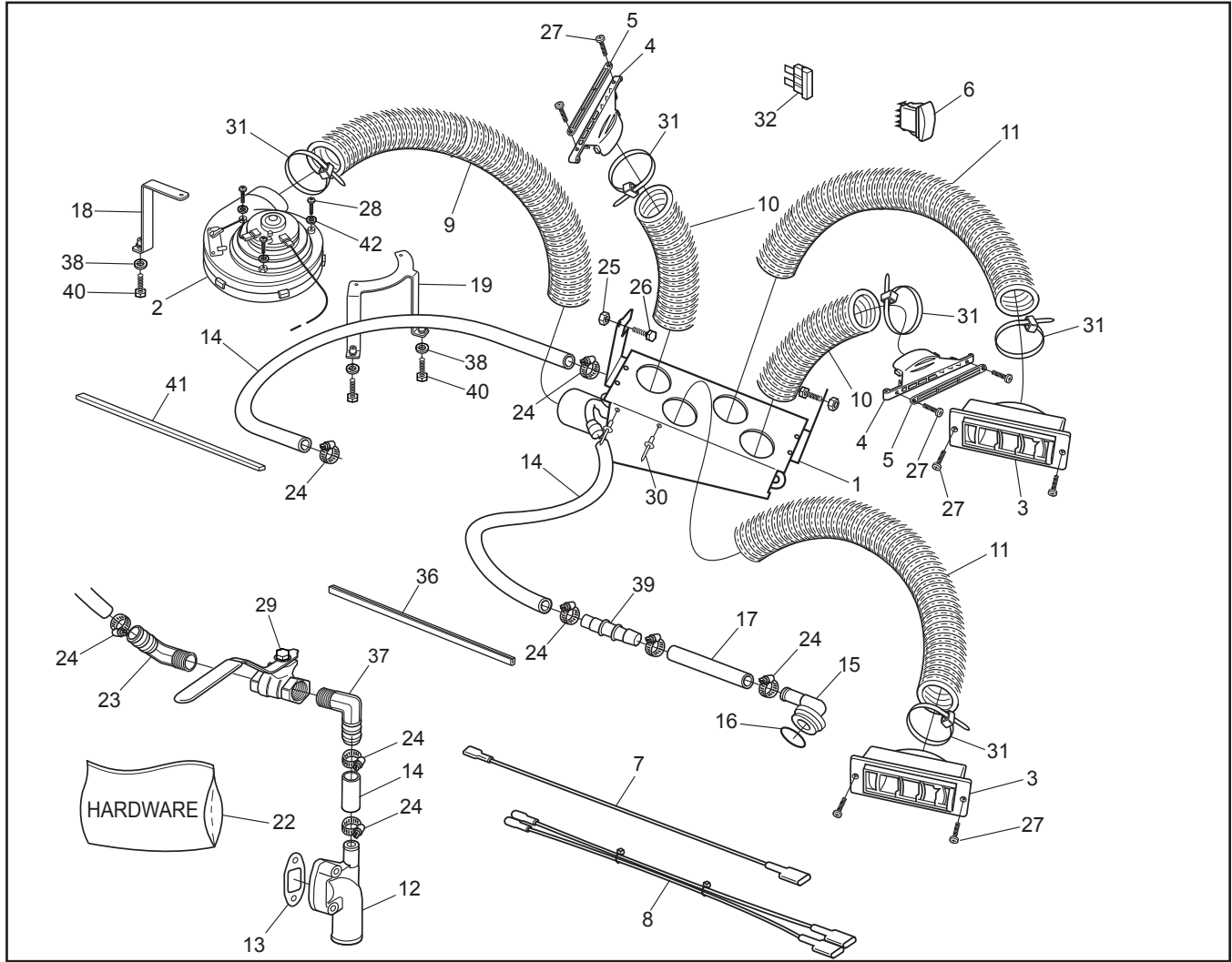
958-147 Brake/Tail Lights



Ref.	Qty.	Part #	Description
1	2	613-208	Light, Brake/Tail LED Oval
2	2	952-221	Bracket, Brake Light Oval
3	1	624-28	Harness, Brake Light Switch XT
4	1	624-29	Wire Harness, Brake Light - XT
5	1	613-165	Switch, Brake Light - HDI
8	1	958-147HDW	Tail & Brake Light Hardware
9	6	100-64	Tie Wrap - 5.5" - Black
10	3	126-93	Clamp, Nylon Wire - 1/2" ID
11	3	120-13	Rivet - 3/16 x 3/4 Black
12	8	120-11	Rivet, 5/32 x .157-.472
13	8	108-28	Washer .156x.375x.047 Zn
14	4	112-102	Screw, Self Drill 12-14 x 3/4"
15	4	103-55	HHCS 5/16-18 x 2.75 Gr5 Zn
16	4	108-24	Washer .34 x .70 x .06 Zn
17	4	117-21	Locknut, Nylon 5/16-18 Zn

958-156 Heater Assembly - XTD

14.0 Accessories

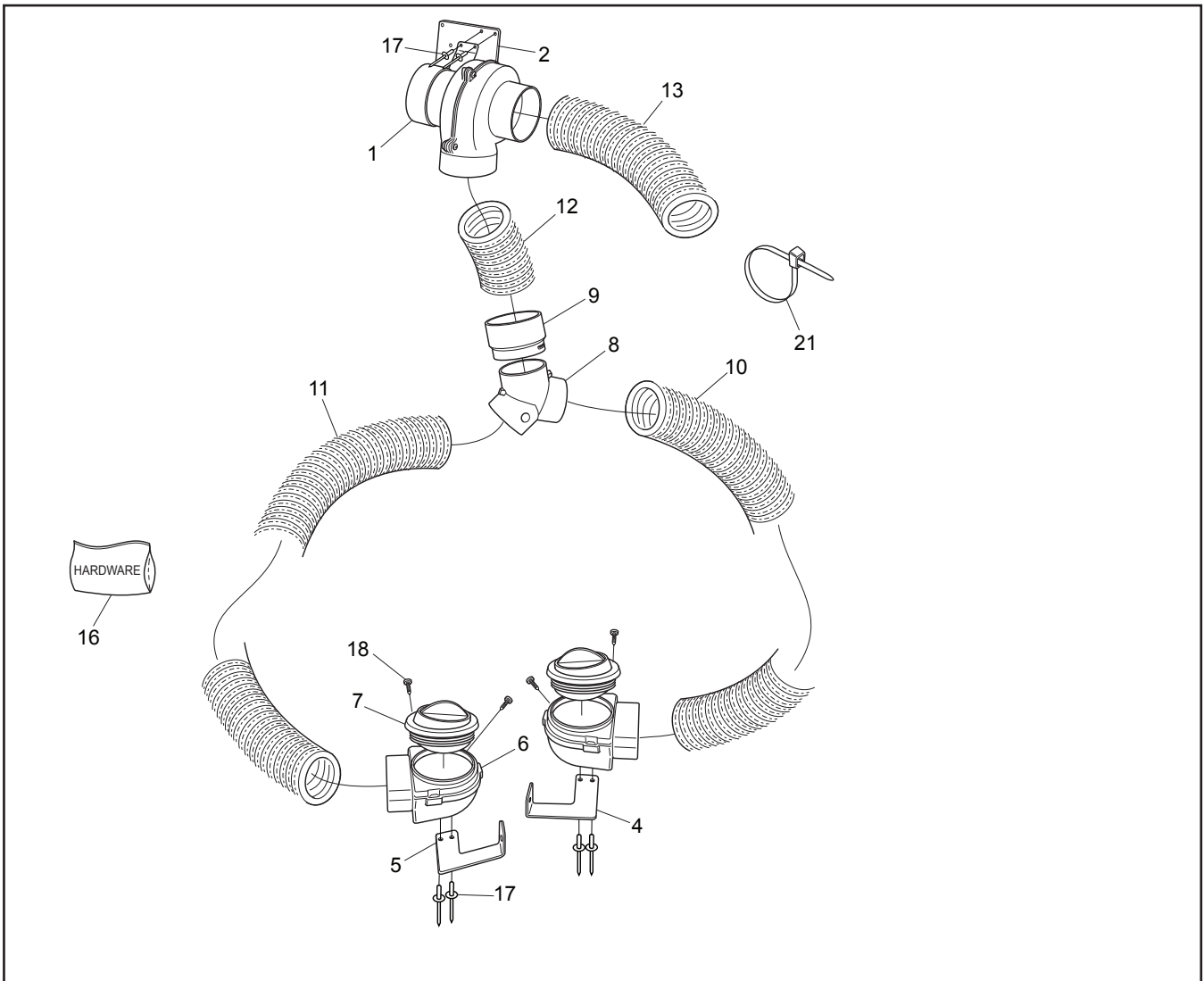


Ref.	Qty.	Part #	Description
1	1	958-127	Heater Box W/Core
2	1	953-56	Fan, Blower Heater
3	2	953-57	Louver, Heater Vent
4	2	953-58	Plenum, Defroster
5	2	953-59	Grill, Vent Defrost
6	1	613-157	Switch, Heater Fan
7	1	613-167	Ground Wire, Heater Switch
8	1	613-204	Wire Harness, Heater - XT
9	1	953-61	Hose, Inlet 3" x 24"
10	2	953-66	Hose, Duct Defrost 2.5" x 12"
11	2	953-60	Hose, Heat 2.5" x 36"
12	1	953-84	Heater Outlet Housing
13	1	953-85	Gasket, Outlet Housing
14	2.5	848-13RM	Hose, Heater - 5/8"ID x 250' lg
15	1	953-86	Fitting, Return Port
16	1	953-87	Gasket, Return Port
17	.5	958-162	Hose, Heater 1/2" ID RM
18	1	952-243	Bracket, Fan Single XTD
19	1	952-244	Bracket, Fan Double XTD
22	1	958-156HDW	HDW, Heater/Defroster - XT
23	3	848-64	Barb, Hose 5/8 x 3/8NPT x 45 Elbow

Ref.	Qty.	Part #	Description
24	8	638-16	Clamp, Gear 5/8" HF-10
25	2	117-27	Locknut, Nylon 1/4-20 Zn
26	2	112-04	HHCS 1/4-20 x 3/4 Gr5 Zn
27	8	103-24BL	OHPS T/S #6 x 1.0 Black Zn
28	3	103-48	T/S Pan HD Phil #10 x 5/8 A Blk
29	1	848-113	Valve, Shutoff
30	2	120-15	Rivet - 1/8 x 7/16
31	5	100-102	Tie Wrap - 14" - White - 50lb
32	1	118-49	Fuse, 15A 2-Prong (AT015)
33	1	952-218	Tool, Layout Defroster
34	1	952-219	Template, Defroster Location
35	1	952-220	Template, Heater Fan Install
36	1.5	601-107RM	Trim, Neoprene
37	1	848-31	Barb, Beaded Hose 90 Elbow - NPT
38	3	108-03	Lockwasher 1/4 Split Ring Zn
39	1	958-163	Fitting, Reducer 5/8 -1/2 Barb
40	3	112-220	HHCS M6x1x20mm Gr8.8 Zn
41	1.3	126-60	Vinyl Strip 1/2"x1/4"
42	3	120-04	Washer .19 x .50 x .08 Zn

14.0 Accessories

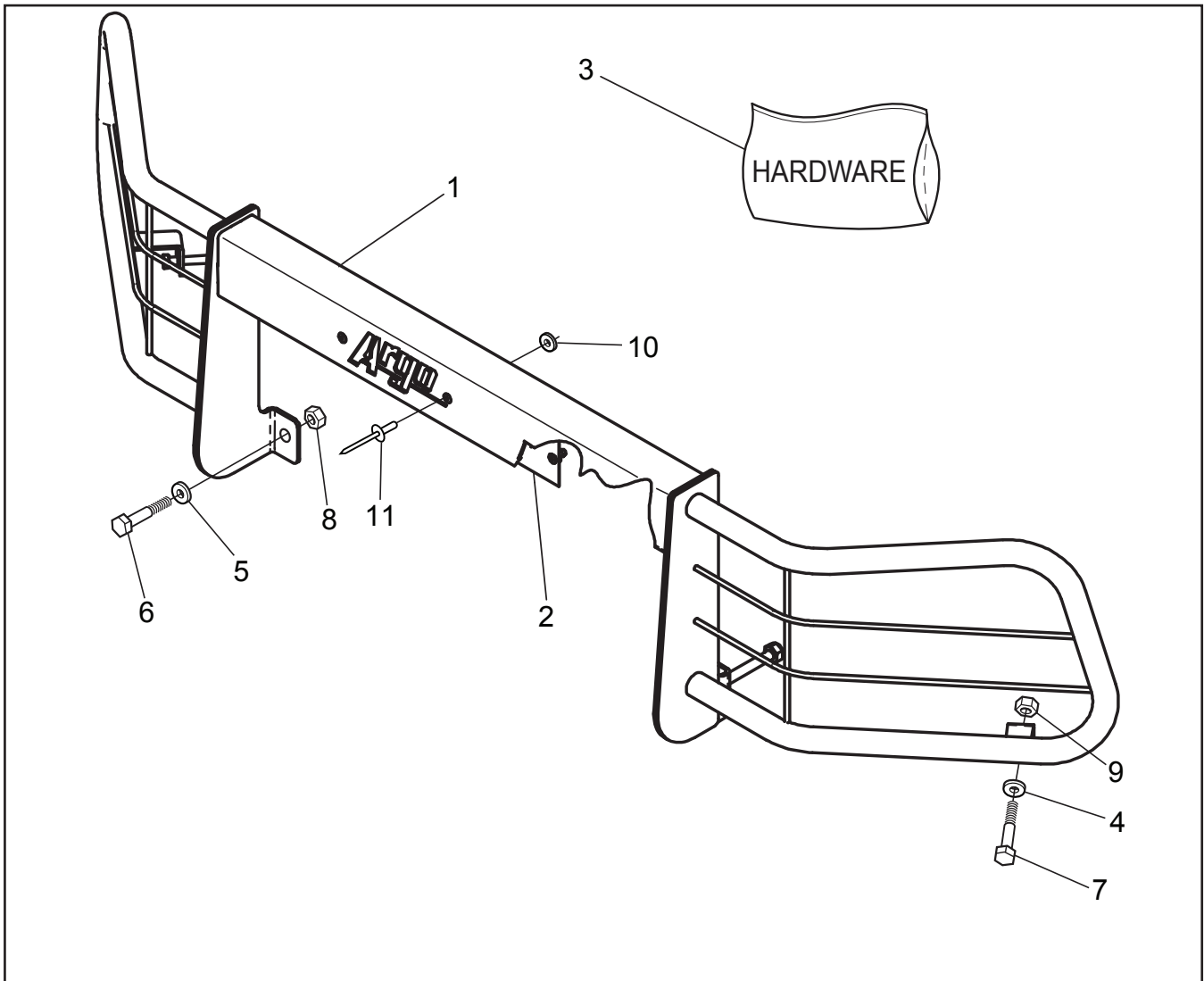
958-157 Brake Cooling Accessory



Ref.	Qty.	Part #	Description	Ref.	Qty.	Part #	Description
1	1	127-184	Blower Fan c/w Mtg Bracket	16	1	958-157HDW	Hardware, Service Brake Cooling XT
2	1	952-247	Bracket, Fan Brake Cooling	17	12	120-14	Rivet - 3/16 x 5/8 Black
3	1	613-221	Wire Harness, Brake Cooling XT	18	4	112-139	OHPS T/S #4X5/8 Black Zn
4	1	952-246	Bracket, Cooling Duct LH	19	1	118-02	Terminal, Male - #76-1251
5	1	952-248	Bracket, Cooling Duct RH	20	1	118-03	Terminal, Female - #76-1289
6	2	864-06	Duct, Brake Cooling	21	9	100-102	Tie Wrap - 14" - White - 50lb
7	2	864-07	Louver, Brake Cooling				
8	1	864-04	Fitting, 2.5" Hose Y				
9	1	864-05	Fitting, Hose Reducer 3" -2.5"				
10	1	864-08	Hose, Brake 2.5" x 24"				
11	1	864-09	Hose, Brake 2.5" x 48"				
12	1	864-10	Hose, Brake 3" x 6"				
13	1	864-12	Hose, Brake 3" x 48"				

958-165 Brush Guard

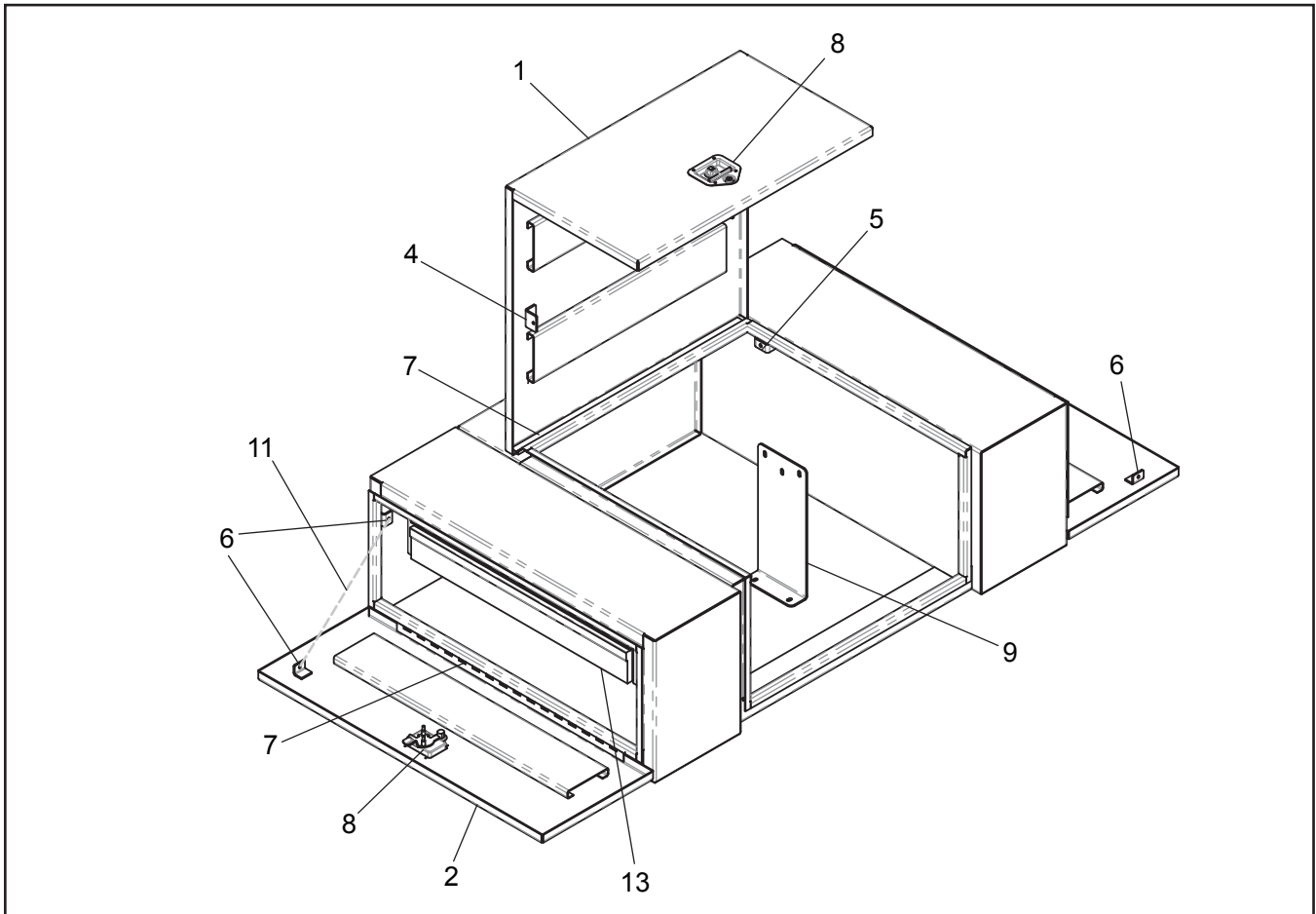
14.0 Accessories



Ref.	Qty.	Part #	Description	Ref.	Qty.	Part #	Description
1	1	958-158	Brushguard, One Piece - XT	11	3	120-14	Rivet - 3/16 x 5/8 Black
2	1	958-128	Plate, Name Backer				
3	1	958-01HDW	Brushguard Hardware, XTI				
4	2	108-12	Washer .34x1.00x.06 Zn				
5	2	108-26	Washer .43x1.02x.09 Zn				
6	2	112-142	HHCS M10x1,5x80mm Zn Full Thrd				
7	2	112-167	HHCS M8x1,25x80mm Zn				
8	2	117-60	Locknut, Nyloc M10x1.5mm Zn8				
9	2	117-77	Locknut, Nylon - M8x1,25mm Zn				
10	3	120-04	Washer .19x.50x.08 Zn				

14.0 Accessories

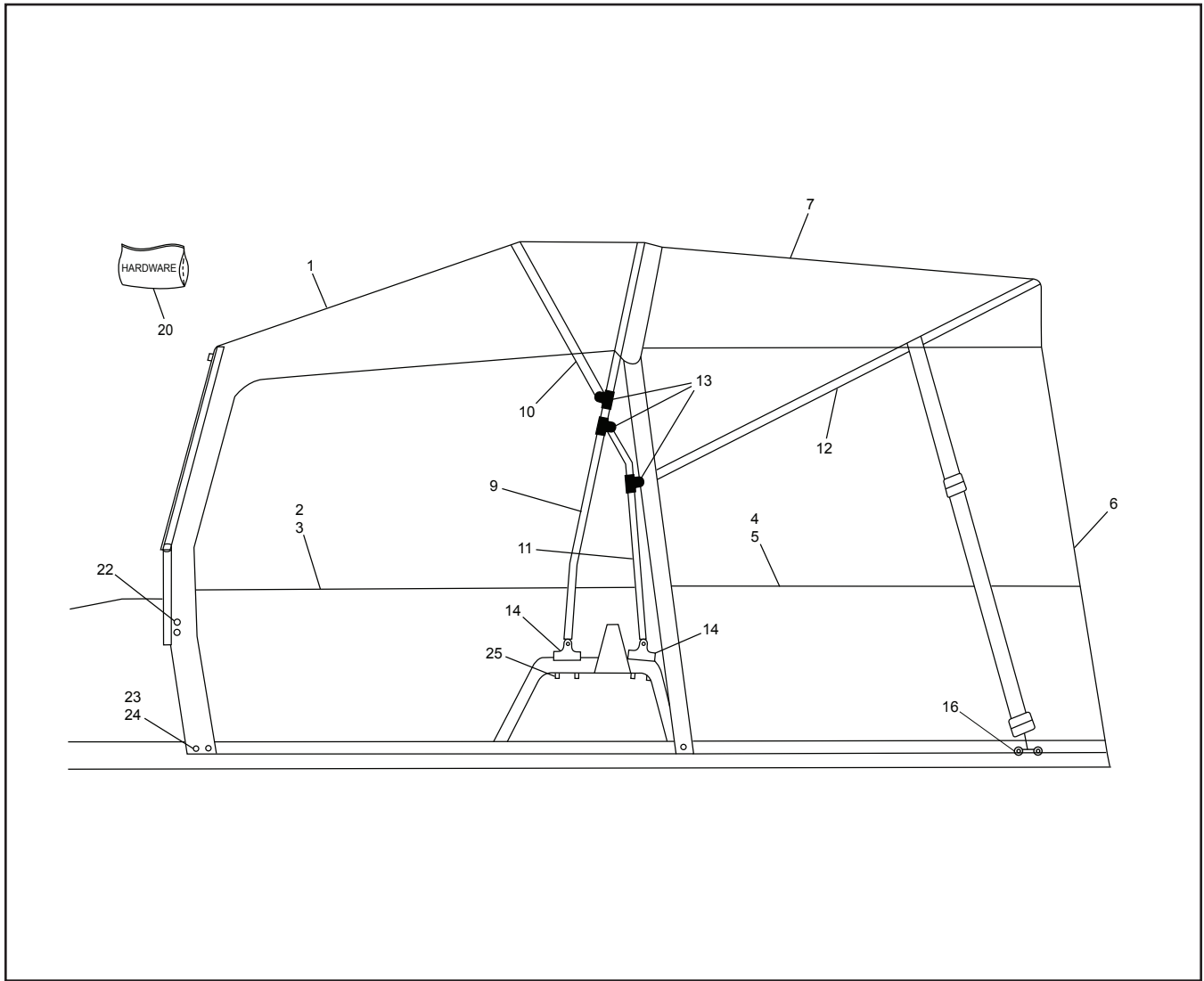
958-168 XT Utility Box



Ref.	Qty.	Part #	Description
1	1	WB-L005	Top Lid
2	2	WB-S003	Side Door
3	1	WB-001	Shelf
4	2	WB-002	Lid Top Gas Shock Bracket
5	2	WB-003	Lid Side Gas Shock Bracket
6	4	WIL-4040	Chain Holder Bracket
7	3	7510071	Piano Hinge
8	3	21509	Teardrop Lock
9	1	WB-004	Mounting Bracket & Hardware
10	1	WB-005	Hoop Clamp Bracket & Hardware
11	2	45071	Door Chain
12	2	NSK725V90M	18.5" Gas Shock
13	1	958-169	Optional Drawer

958-171 Convertible Top - 4 Person

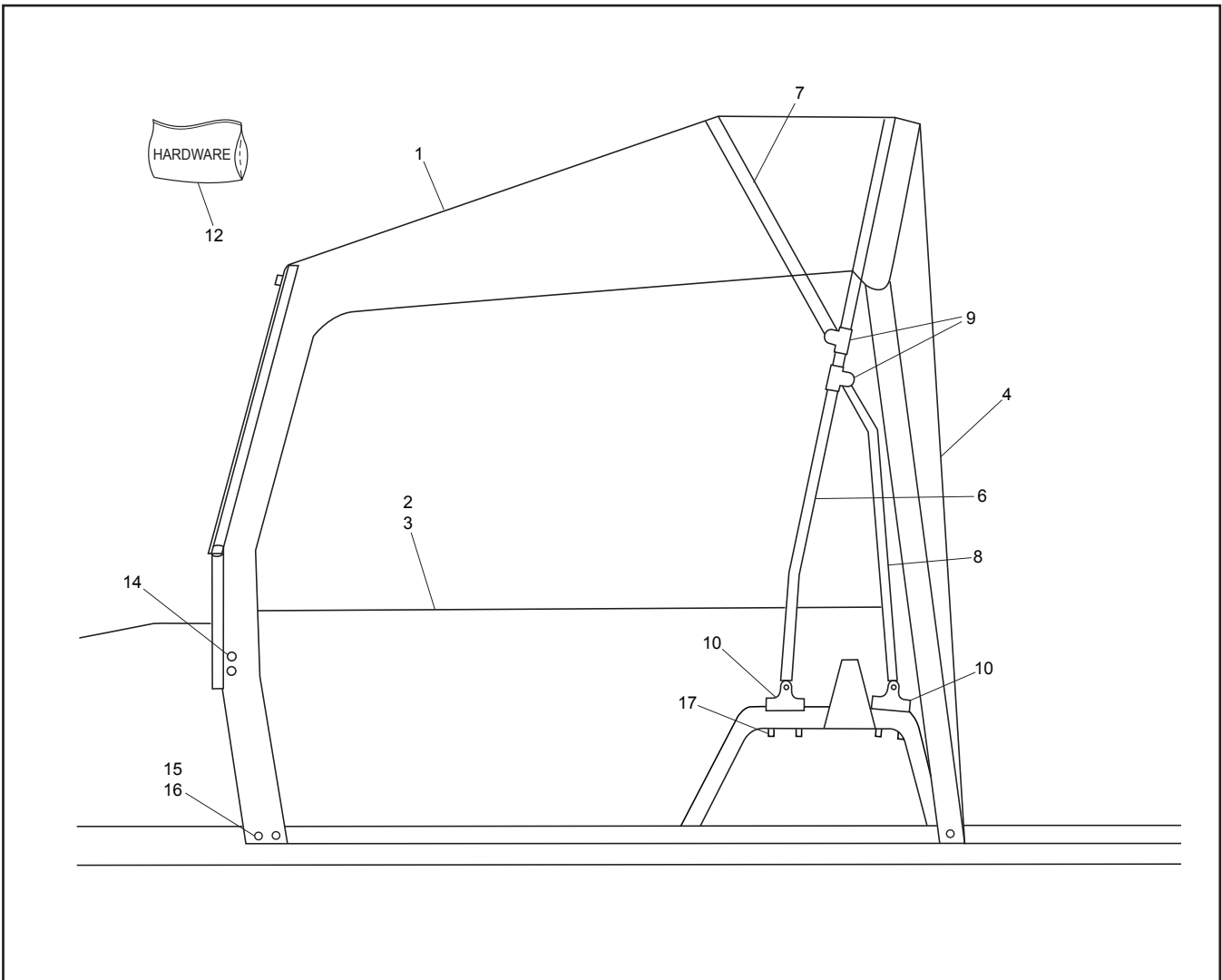
14.0 Accessories



Ref.	Qty.	Part #	Description	Ref.	Qty.	Part #	Description
1	1	958-173	Panel, Canvas - Front Roof	12	1	958-186	Frame, Rear Roof Supt Pole
2	1	958-174	Panel, Canvas - RH FR Door	13	3	958-187	Jaw Slide W/ Fasteners
3	1	958-175	Panel, Canvas - LH FR Door	14	4	958-188	Brkt, Nyl Convex Straight Tapped
4	1	958-177	Panel, Canvas - RH RR Door	15	2	958-189	Brkt, Nyl Convex Curved Drilled
5	1	958-178	Panel, Canvas - LH RR Door	16	2	958-190	Brkt, Stl Flat Straight Tapped
6	1	958-179	Panel, Canvas - 4P RR Window	20	1	958-171HDW	XT Canv Encl - 4 Person Hardware
7	1	958-180	Panel, Canvas - Rear Roof	21	25	627-02	Dome Snaps Clip, Windshield
8	1	958-182	Boot, Canvas - 4 Person	22	4	627-10	Dome Stud #8 x 3/8" #688
9	1	958-183	Frame, Main Pole	23	45	958-144	Dome, Blank
10	1	958-184	Frame, Front Roof Supt Pole	24	45	120-20	Rivet - 1/8 x 1/4
11	2	958-185	Frame, Main Pole Supt	25	12	112-102	Screw, Self Drill 12-14 x 3/4"

14.0 Accessories

958-191 Convertible Top - 2 Person

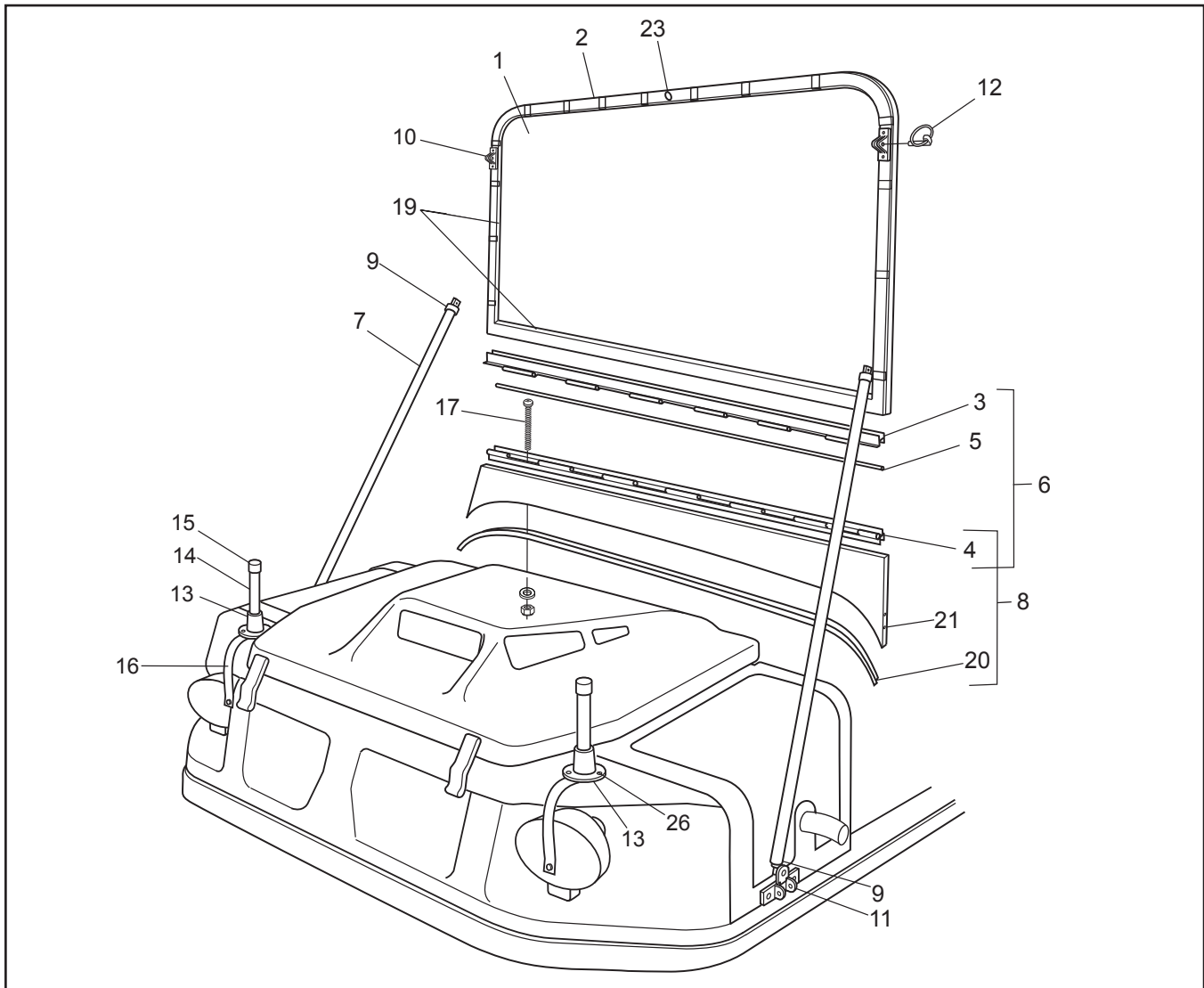


Ref.	Qty.	Part #	Description
1	1	958-173	Panel, Canvas - Front Roof
2	1	958-174	Panel, Canvas - RH FR Door
3	1	958-175	Panel, Canvas - LH FR Door
4	1	958-176	Panel, Canvas - 2P RR Window
5	1	958-181	Boot, Canvas - 2 Person
6	1	958-183	Frame, Main Pole
7	1	958-184	Frame, Front Roof Support Pole
8	2	958-185	Frame, Main Pole Support
9	3	958-187	Jaw Slide W/ Fasteners
10	4	958-188	Bracket, Nylon Convex Straight Tapped

Ref.	Qty.	Part #	Description
12	1	958-191HDW	XT Canv Encl - 2 Person Hardware
13	25	627-02	Dome Snaps-Clip, Windshield
14	4	627-10	Dome Stud #8 x 3/8" #688
15	30	958-144	Dome, Blank
16	30	120-20	Rivet - 1/8 x 1/4
17	12	112-102	Screw, Self Drill 12-14x3/4"

958-192 Windshield

14.0 Accessories

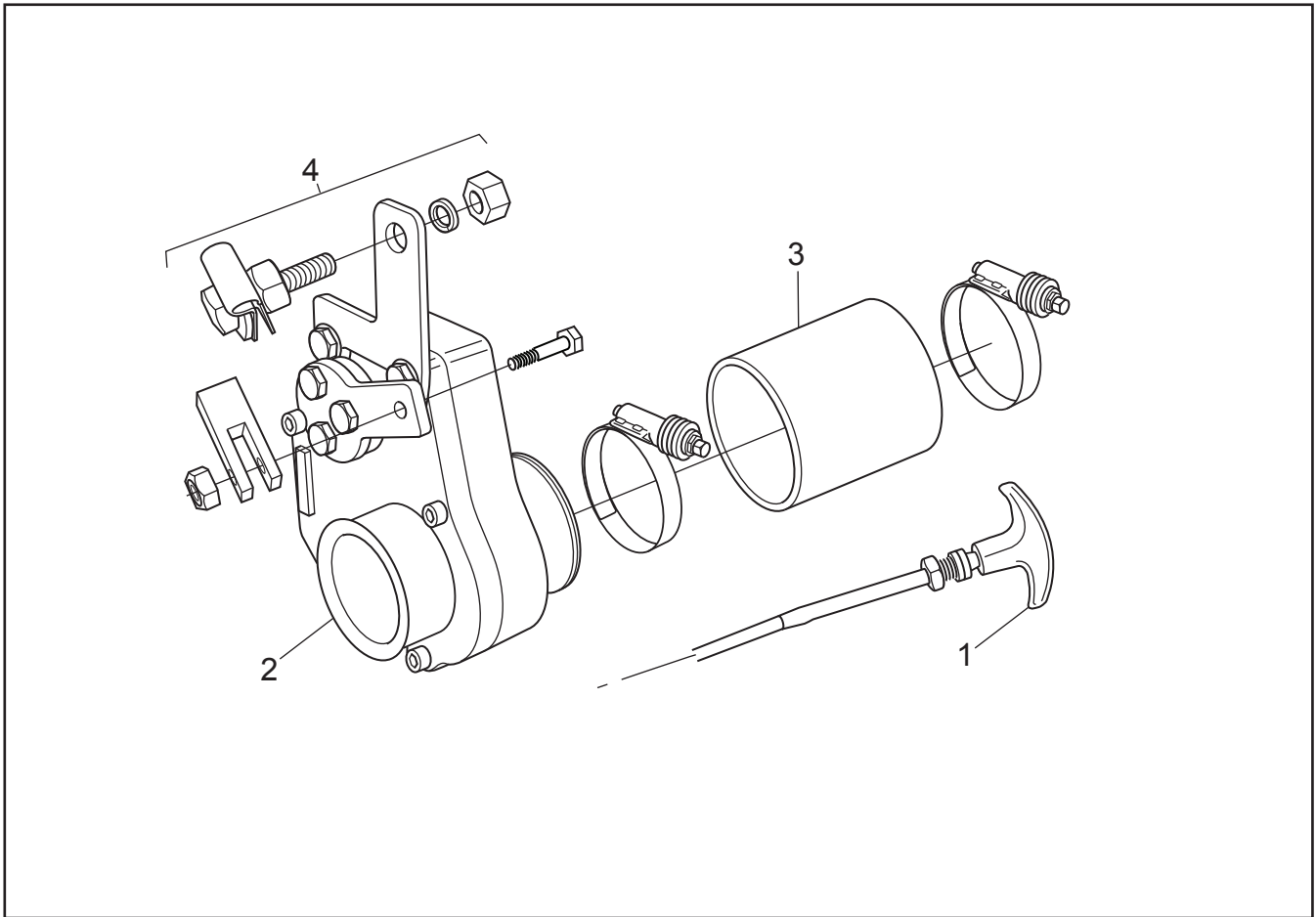


Ref.	Qty.	Part #	Description
1	1	002905-1C-XT	Acrylic, For 958-192 Windshield
2	1	002905-2B-XT	Top Bar - Black
3	1	002905-3B-XT	Hinge, Top - Black
4	1	002905-3A-B-XT	Hinge, Bottom+Gasket Inside
5	1	002904-3B-B-XT	Rod, Aluminium
6	1	002905-4B-XT	Hinge Set, Complete-Black (#3, 4 & 5)
7	2	002904-5B	Arm, Support (Black)
8	1	002905-6B-XT	Acrylic Base, Gasket and Bottom Hinge (#4 & 20)
9	4	002904-7B	Socket Ends & Gasket (Black)
10	2	002904-8A-B	Deck Brackets, Angled
11	2	002904-8C-B-180	Deck Bracket W/Screw 180 Deg.
12	2	627-03	Quik Pin 0269167

Ref.	Qty.	Part #	Description
13	2	002904-10B	Round Base Black
14	2	002904-11B-XT	Tube, Black
15	2	002904-12B	Cap, Black (PVC)
16	2	002904-13B	Strap (Black)
17	2	002905-14A-XT	Bolt, SS 3.0 + Washer + Nut
18	2	002905-14B-XT	Bolt, SS 4.0 + Washer + Nut
19	1	002904-15-XT	Gasket, XT - Around Glass
20	1	002905-16-XT	Gasket, XT - Windshield to Body
21	5	002904-17	PHD Screw #8 1.25"
22	11	002904-18	PHD Screw #8 .75"
23	1	002904-19	Cap, Black (PVC) Wiper Hole
24	2	0029-20-XT	Retainer, Support Arm
25	6	2904-14A	Jack Nut same as 117-53 Nut, Jack 1/4-20 8L-JNS Zn
26	6	112-102	Screw, Self Drill 12-14 x 3/4"

14.0 Accessories

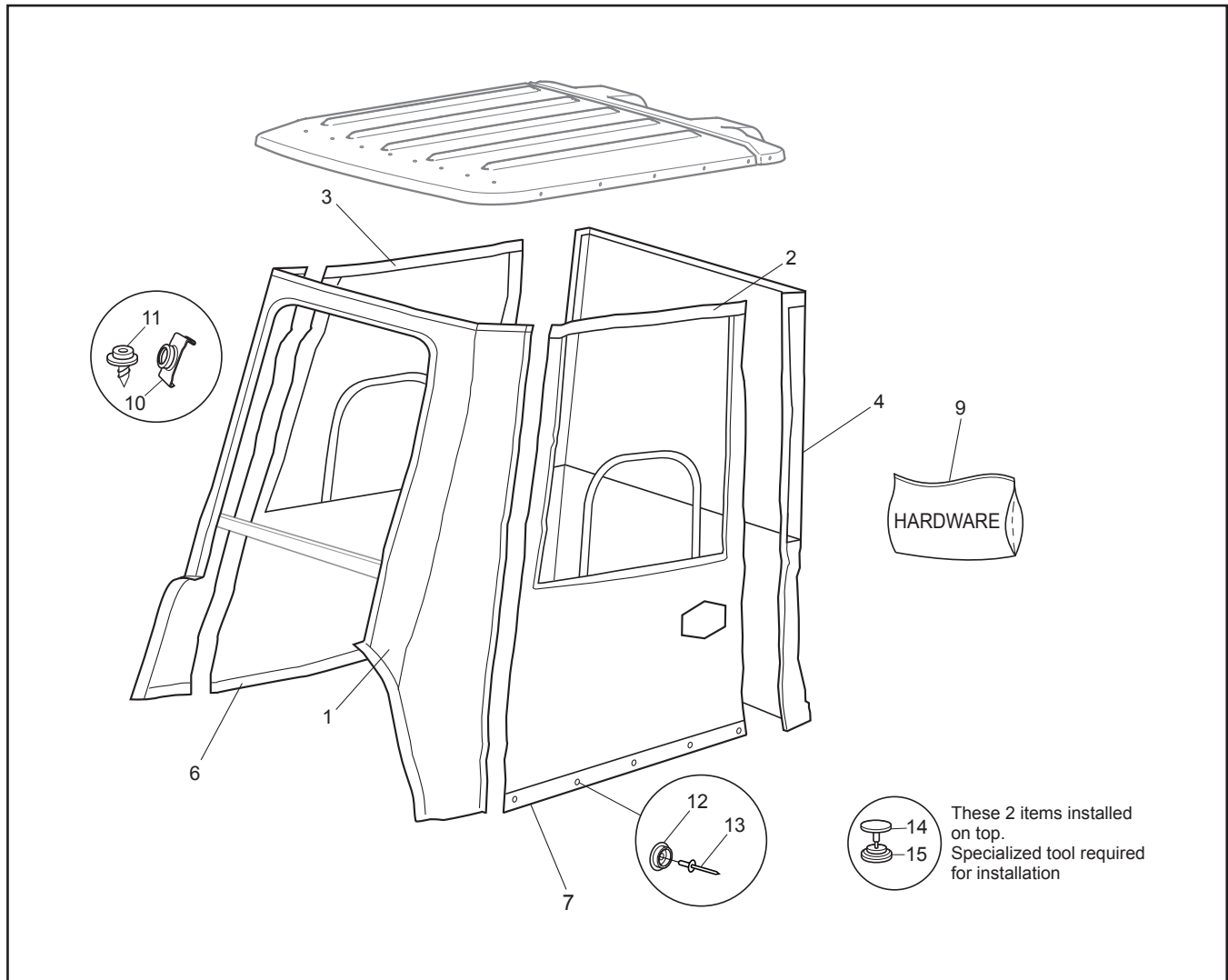
958-200 Emergency Shut Off



Ref.	Qty.	Part #	Description
1	1	958-201	Cable, Emergency Shutoff
2	1	958-202	Valve, Air Shutoff
3	1	958-203	Hose, Shutoff W/Clamps
4	1	958-204	Hardware, Shutoff Activation

958-205 - 2 Person Canvas Enclosure

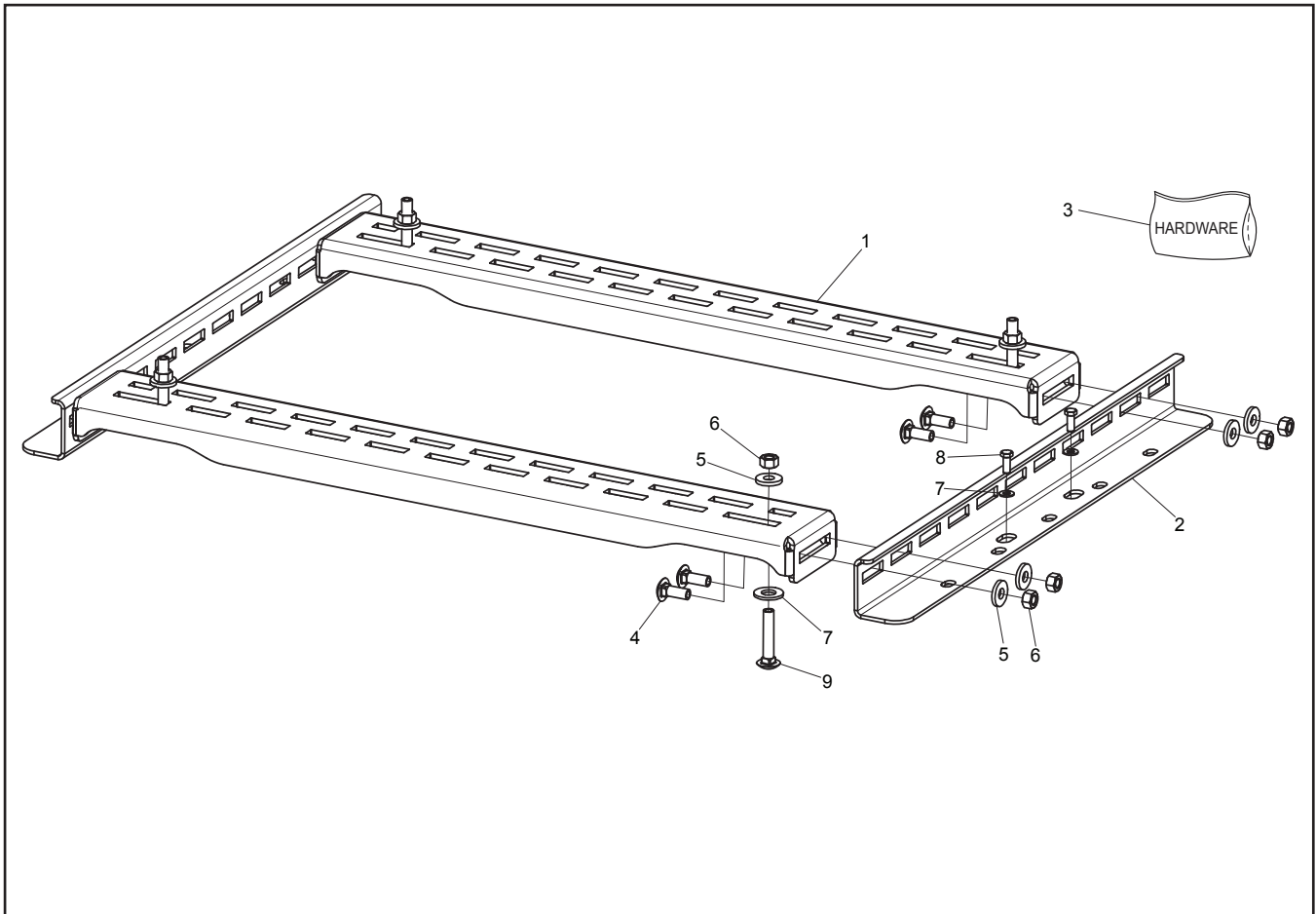
14.0 Accessories



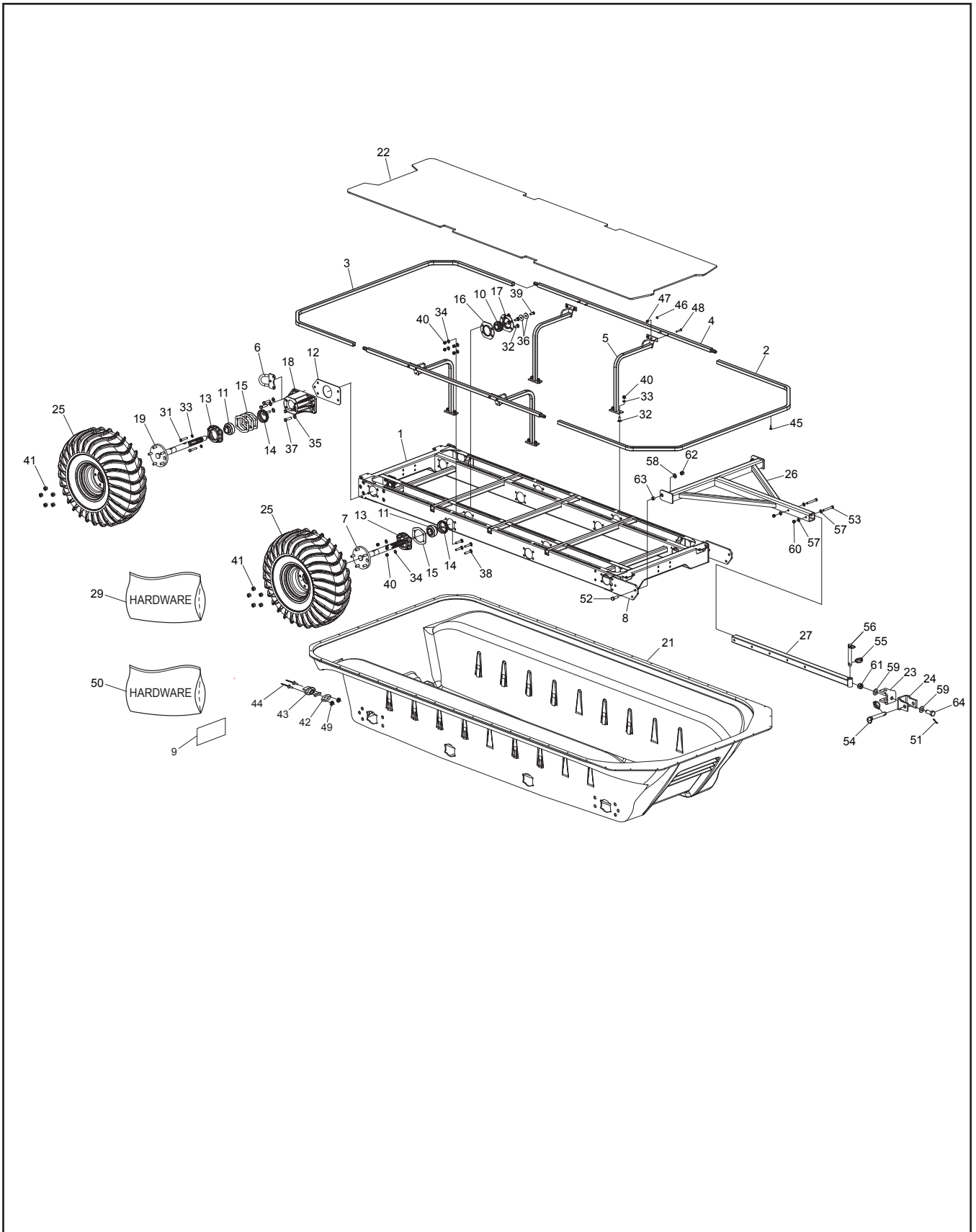
Ref.	Qty.	Part #	Description	Ref.	Qty.	Part #	Description
1	1	958-206	Molding, Front W/S - BI Canvas	14	32	958-214	Cap, Dome - Long Post
2	1	958-207	Panel, LH - BI Canvas	15	32	958-213	Dome, Blank - Locking
3	1	958-208	Panel, RH - BI Canvas	16	24	120-33	Rivet, 1/8 x 1/2 Black
4	1	958-209	Panel, RR W/Window - BI Canvas				
5	1	958-212	Pouch, Parts - BI Canvas				
6	1	958-211	Molding, RH Bot - BI Canvas				
7	1	958-210	Molding, LH Bot - BI Canvas				
9	1	958-205HDW	Acc, 2 Person Encl - XT Hardware				
10	13	627-02	Dome Snaps-Clip, Windshield				
11	8	627-10	Dome Stud #8 x 3/8" #688				
12	32	958-144	Dome, Blank				
13	32	120-20	Rivet - 1/8 x 1/4				

14.0 Accessories

959-01 Universal Mount



Ref.	Qty.	Part #	Description
1	2	959-05	Wld, X-Mbr - Universal Mount XT
2	2	959-03	Asm, Rail - Universal Mount
3	1	959-01HDW	Hardware, Universal Mount-XT
4	12	103-88	C/Bolt 3/8-16x1.0 Gr5 Zn
5	12	108-47	Washer .39x.94x.13 Zn Di-Chro
6	12	117-15	Nut, Fin Hex 3/8-16 Zn
7	8	108-35	Washer .53x1.06x.09 Zn
8	4	112-189	HHCS 1/2-13x1.25 Gr5 Zn
9	4	112-187	C/Bolt 3/8-16x2.0 Gr5 Zn



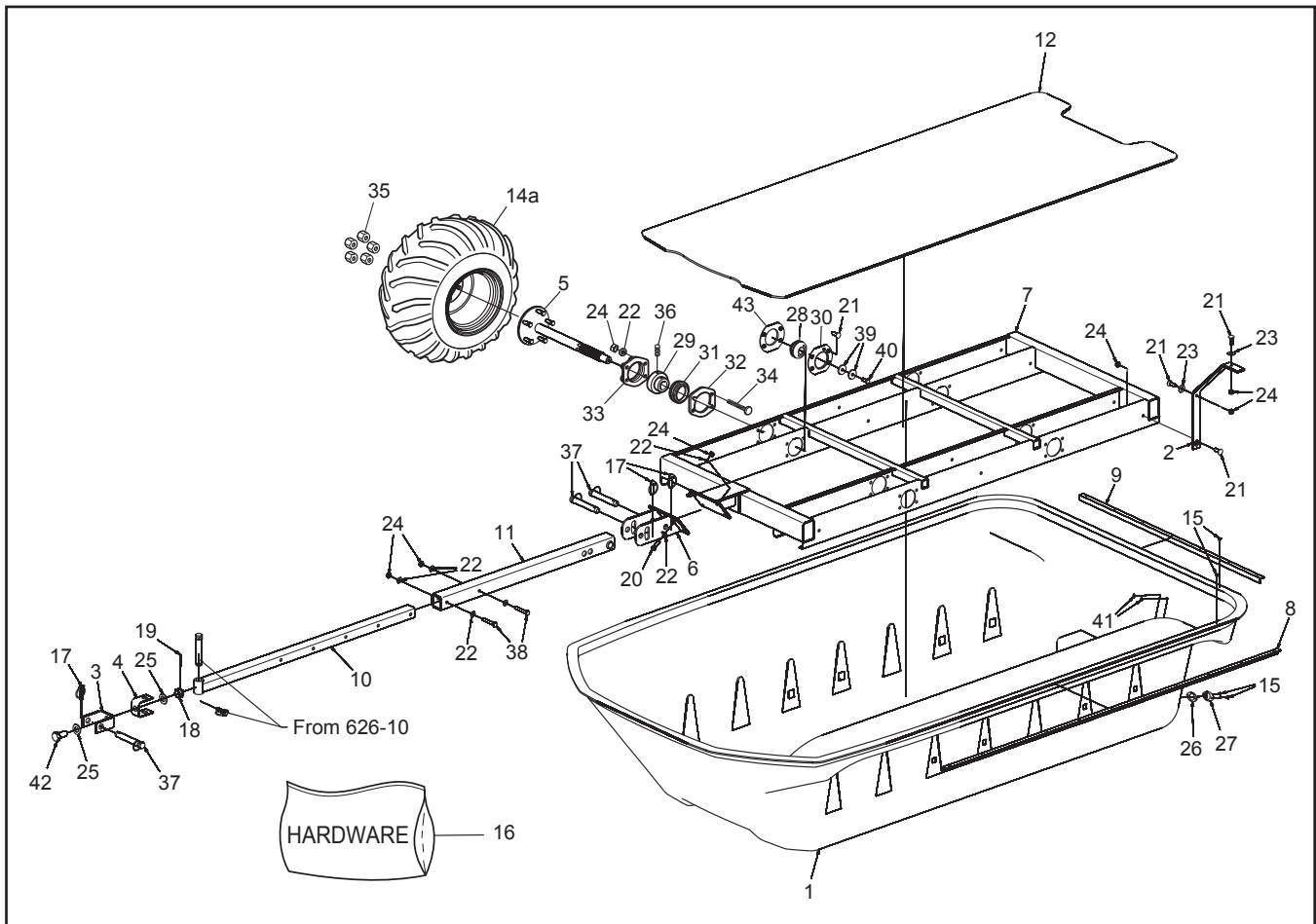
14.0 Accessories

8 Wheel Trailer

Ref.	Qty.	Part #	Description	Ref.	Qty.	Part #	Description
1	1	695-100	Frame Asm, 8 Wheel Trailer	47	8	117-27	Locknut, Nylon 1/4-20 Zn
2	1	695-104	Frame, Upper Front - 8 Wheel Trailer	48	8	103-03	PHMS 1/4-20x1.50 Zn
3	1	695-105	Frame, Upper Rear - 8 Wheel Trailer	49	4	120-04	Washer .19x.50x.08 Zn
4	2	695-106	Frame Asm, Upper Mid - 8 Wheel Trailer	50	1	L14-HDW	8W Trailer Hardware includes:
5	4	695-109	Supt Asm, Inr Side - 8 Wheel Trailer	51	1	100-01	Pin, Cotter 1/8x1.50 Zn
6	2	642-47	Tie Down Bracket	52	2	103-21	HHCS 1/2-20x1.5 Gr5 Zn
7	4	810-113	Axle ASM - Mid HD	53	2	103-53	HHCS 3/8-16X3.0 Gr 5 Full Thd
8	2	657-17	Bracket, Snowplow Mtg - Avg	54	1	104-10	Pin + Ring Asm
9	1	127-273	Plate, Serial Blank Double	55	2	104-11	Pin, Lynch - Ring
10	8	101-41	Bearing, Ball - 1.0	56	1	104-13	Pin, Top Link
11	8	101-95	Bearing, Ball -1.25 x 72mm	57	4	108-15	Washer .42x.81x.05 Zn
12	4	606-25	Gasket, Bearing Extension	58	2	108-35	Washer .53x1.06x.09 Zn
13	16	606-88	Flange, Outer Bearing	59	2	108-53	Washer .81x1.5x.12 Zn
14	16	606-89	Carrier, Axle Bearing	60	2	117-29	Locknut, Nylon 3/8-16 Zn
15	32	606-90	Gasket, Flange -72mm Brg	61	1	117-37	Nut, Hex Slotted 3/4-10 Zn
16	8	606-91	Flange, 4-Hole Hd	62	2	117-57	Locknut, Nyloc 1/2-20 Zn
17	8	606-92	Flange, Greaseable - 4-Hole Hd	63	2	657-54	Bushing
18	4	810-112	Extension Asy, Bearing W/ Nuts	64	1	695-121	Bolt, Swivel 3/4-10 x 1.75
19	4	810-92	Axle, Asm - Front/Rear HD				
20	4	127-158L	Tire+Rim Asm, Argo-24, Left				
21	1	695-103	Body, 8 Wheel Trailer				
22	1	695-118	Panel, Floor - 8 Wheel Trailer				
23	1	695-119	Bracket, Tongue - Thck				
24	1	695-120	Bracket, Hitch - Thck				
25	4	127-158R	Tire+Rim Asm, Argo-24, Right				
26	1	695-114	Hitch Assy - 8W Trailer				
27	1	695-93	Tongue Asm				
29	1	L14-FRM-HDW	8W Trailer Frame Hardware				
31	16	103-68	HHCS 3/8-16x2.0 Gr5 Zn				
32	40	103-88	C/Bolt 3/8-16x1.0 Gr5 Zn				
33	24	108-06	Lockwasher 3/8 Split-Ring Zn				
34	120	108-15	Washer .42x.81x.05 Zn				
35	20	108-34	Washer .47x.94x.06 Zn				
36	16	108-46	Washer .40x1.37x.12 Hi-Carbon				
37	20	112-181	HHCS 7/16-20x1.75 Gr5 Zn				
38	16	112-187	C/Bolt 3/8-16x2.0 Gr5 Zn				
39	8	112-31	HHCS 3/8-16x1.0 2B Gr8 Zn				
40	120	117-29	Locknut, Nylon 3/8-16 Zn				
41	40	117-35	Nut, Wheel 7/16-20 Zn				
42	2	100-114	Gasket, Drain Plug				
43	2	100-107	Plug, Drain-Flanged				
44	4	120-13	Rivet - 3/16 X 3/4 Black				
45	50	112-102	Screw, Self Drill 12-14 x 3/4"				
46	16	108-08	Washer .28x.62x.07 Zn				

Amphibious Trailer

14.0 Accessories



Ref.	Qty.	Part #	Description	Ref.	Qty.	Part #	Description
1	1	603-99	Body, Lower - Frontier (Vin. # required)	21	34	103-88	C/Bolt 3/8-16x1.0 Gr5 Zn
2	6	695-16	Support, Body	22	56	108-15	Washer .42x.81x.05 Zn
3	1	695-64	Bracket, Hitch	23	12	108-35	Washer .53x1.06x.09 Zn
4	1	695-71	Bracket, Tongue	24	56	117-29	Locknut, Nylon 3/8-16 Zn
5	4	810-113	Axle Ass'y - Mid HD	25	2	108-53	Washer .81x1.5x.12 Zn
6	1	695-83	Hitch Ass'y, Trailer	26	2	100-114	Gasket, Drain Plug + # 100-107
7	1	695-88	Frame Ass'y, Trailer	27	2	100-107	Plug, Drain-Flanged + # 100-114
8	2	695-90	Bracket, Side	28	4	101-41	Bearing, Ball - 1.0 (48 per box)
9	1	695-91	Bracket, Rear	29	4	101-95	Bearing, Ball -1.25 x 72mm
10	1	695-93	Tongue, Ass'y	30	4	606-92	Flange, Greaseable - 4 Hole HD
11	1	695-96	Tube Ass'y, Hitch	31	4	606-89	Carrier, Axle Bearing
12	1	695-67	Floor Pan, Trailer	32	4	606-90	Gasket, Flange - 72mm Brg
13a	2	127-182L	Tire, Argo 25 & Rim LH Ass'y	33	4	606-88	Flange Ass'y, Outer Bearing
13b	2	127-158L	Tire+Rim Ass'y, Argo-24, Left	34	16	103-68	HHCS 3/8-16x2.0 Gr5 Zn
13c	2	127-181L	Tire+Rim Ass'y, Argo-24, Right	35	20	117-35	Nut, Wheel 7/16-20 Zn
14a	2	127-182R	Tire, Argo 25 & Rim RH Ass'y	36	8	112-200	SHSS 5/16-24x5/16 Flat PT
14b	2	127-158R	Tire+Rim Ass'y, Argo-24, Right	37	3	104-10	Pin, Toplink - 3/4x3.875
14c	2	127-180R	Tire+Rim Ass'y, Argo-24, Right	38	2	103-53	HHCS 3/8-16x3.0 Gr5 Zn
15	33	120-13	Rivet - 3/16 x 3/4 Black	39	8	108-46	Washer .40x1.37x.12 Hi-Carbon
16	1	V-Trailer-11HDW	Hardware, Trailer Kit	40	4	112-31	HHCS 3/8-16x1.0 2B Gr8 Zn
17	3	104-11	Pin, Lynch - Ring	41	4	120-04	Washer .19x.50x.08 Zn
18	1	17-37	Nut, Hex Slotted 3/4-10 Zn	42	1	695-34	Bolt, Swivel
19	1	100-01	Pin, Cotter 1/8x1.50 Zn	43	4	606-91	Flange, 4 Hole HD
20	4	103-82	HHCS 3/8-16x1.25 Gr5 Zn	44	4	120-09	Rivet - 3/16 x 1.0 Black

ARGO Products Manufactured by:

Ontario Drive & Gear Limited

220 Bergey Court

New Hamburg, Ontario

Canada N3A 2J5

Phone: (519) 662-2840

Fax: (519) 662-2421

www.argoatv.com

ODG *Dedicated to quality and performance*