

Argo 8x8
750 HDi



HDi

PARTS MANUAL

From Serial # ...28842

Foreword

ODG has prepared this parts manual for the HDi model to assist both qualified mechanics and vehicle owners in ordering correct, quality replacement ARGO parts. For the most current parts manual visit our website at www.argoatv.com.

Proper and regular service, and replacing old, worn or broken parts with the correct ARGO replacement parts, are both essential to prolonging the life of the ARGO. Please refer to this parts manual and/or our website www.argoatv.com before ordering any replacement part.

All information contained in this HDi Parts Manual is based on the latest product specification available at time of printing. If your HDi differs from the specifications contained in this manual, check our website www.argoatv.com for the most current information.

ODG reserves the right to alter specifications on the HDi model at any time, without obligation or prior notification.

Reproduction of this HDi Parts Manual, in whole or in part, is prohibited without prior written permission from Ontario Drive & Gear Limited.

Vehicle Identification

AVENGER - Serial Nos. ...28842

Explanation of Parts Manual Format

Ref	- Reference number between assembly diagram and component parts list
Part No.	- Argo replacement part number for identification and re-ordering
Description	- Part description for identification and re-ordering
Qty	- Indicates the quantity of a part used in an assembly

ARGO 8x8

750 HDi

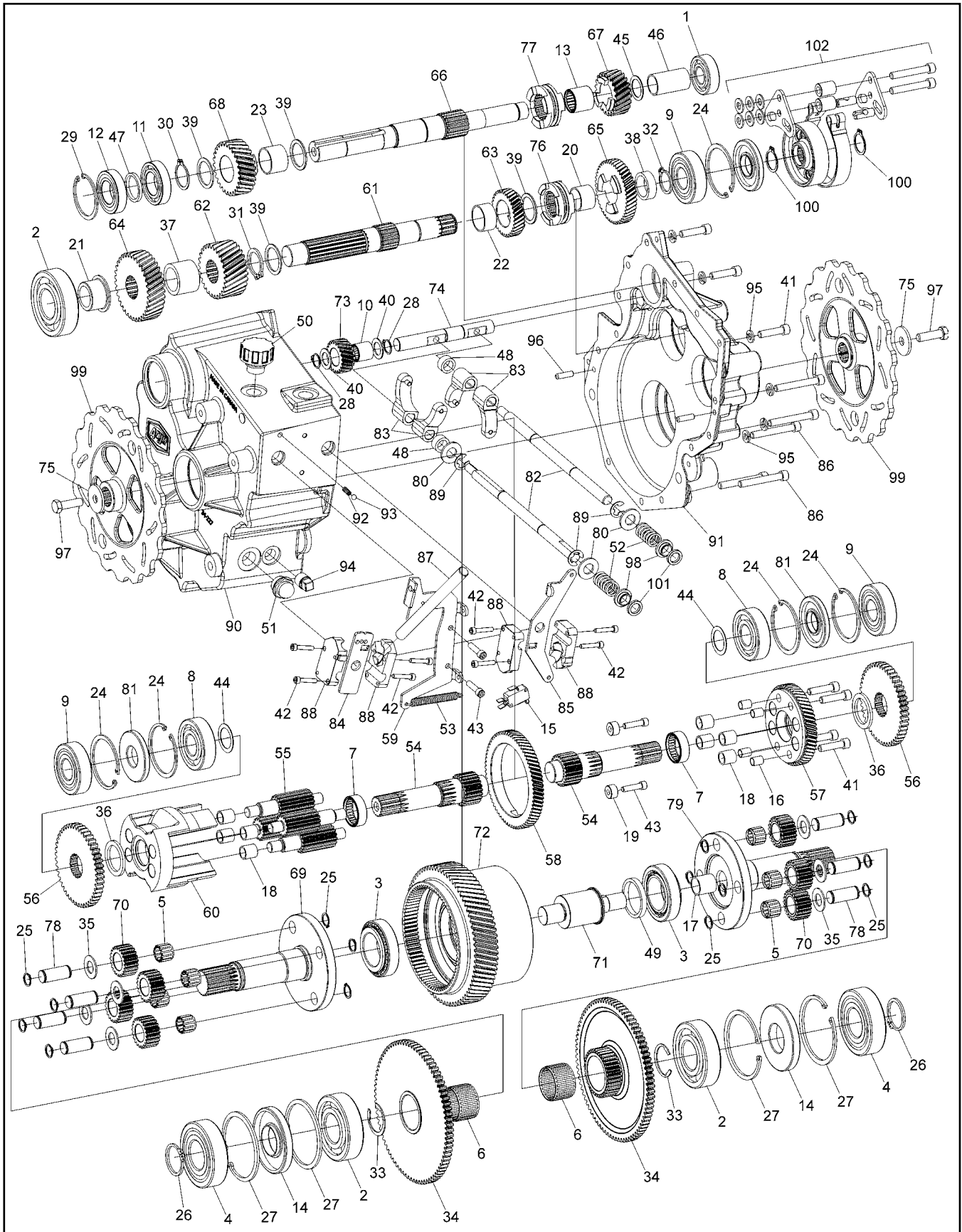


Using the Parts Manual

1. Find the major vehicle assembly in the Table of Contents on this page, and turn to that section.
2. Locate the part in the illustration that you wish to order.
3. Refer to the parts list in that section.
4. Find the correct part number (Part No.), part description (Description) and correct quantity (Qty).
5. Use *only* this information to order ARGO replacement parts. **DO NOT** attempt to order a replacement part by reference number or page number.

Table of Contents

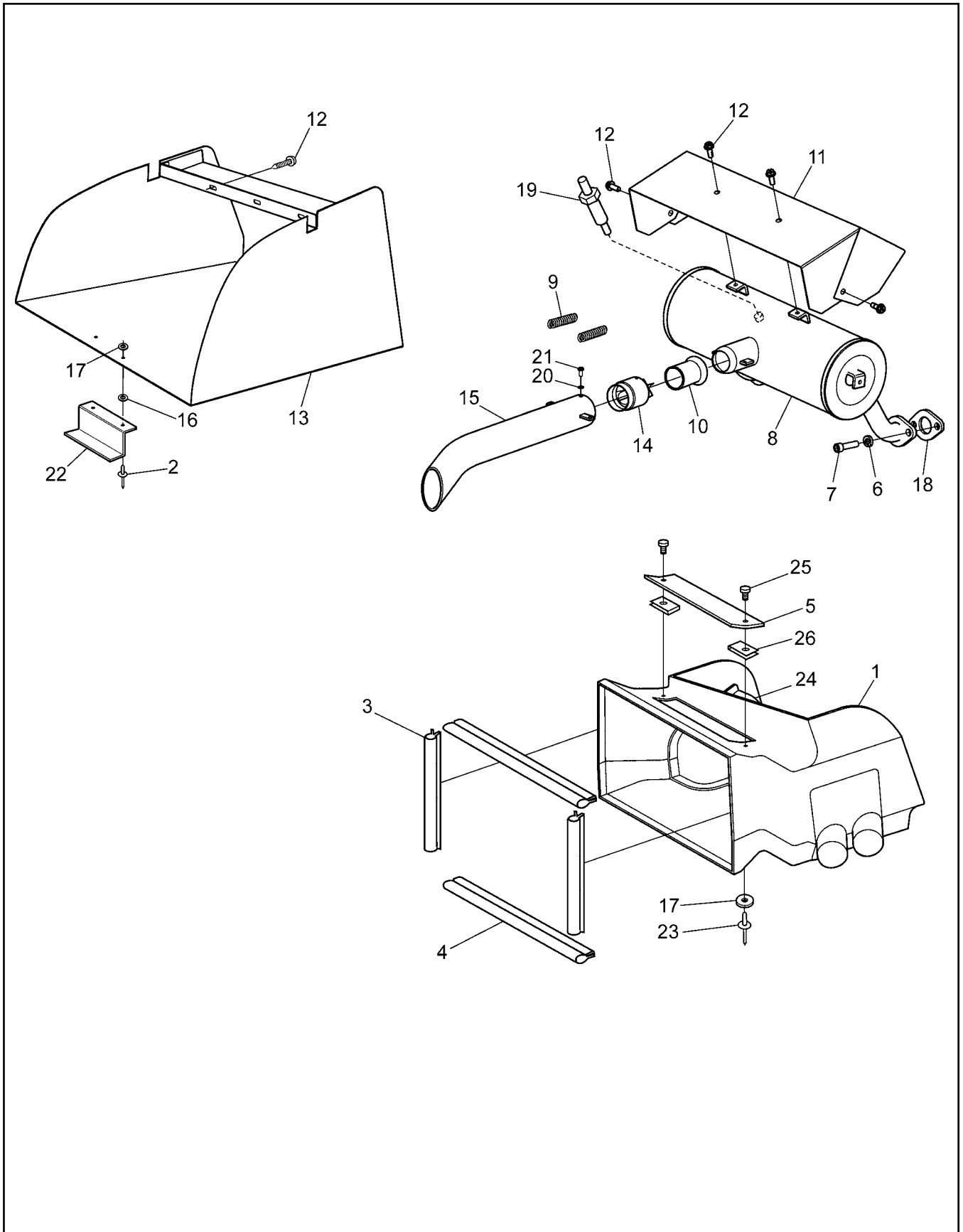
Foreword	i
Vehicle Identification.....	i
Using the Parts Manual	ii
1.0 Transmission	1
2.0 Intake and Exhaust System.....	3
3.0 Clutch System	5
4.0 Power Pack Assembly	7
5.0 Steering & Brake System	9
6.0 Parking Brake	11
7.0 Vehicle Body & Firewall.....	13
8.0 Frame & Drive System	15
9.0 Fuel System & Seat Assembly	17
10.0 Electrical System.....	19



HDI Parts Manual

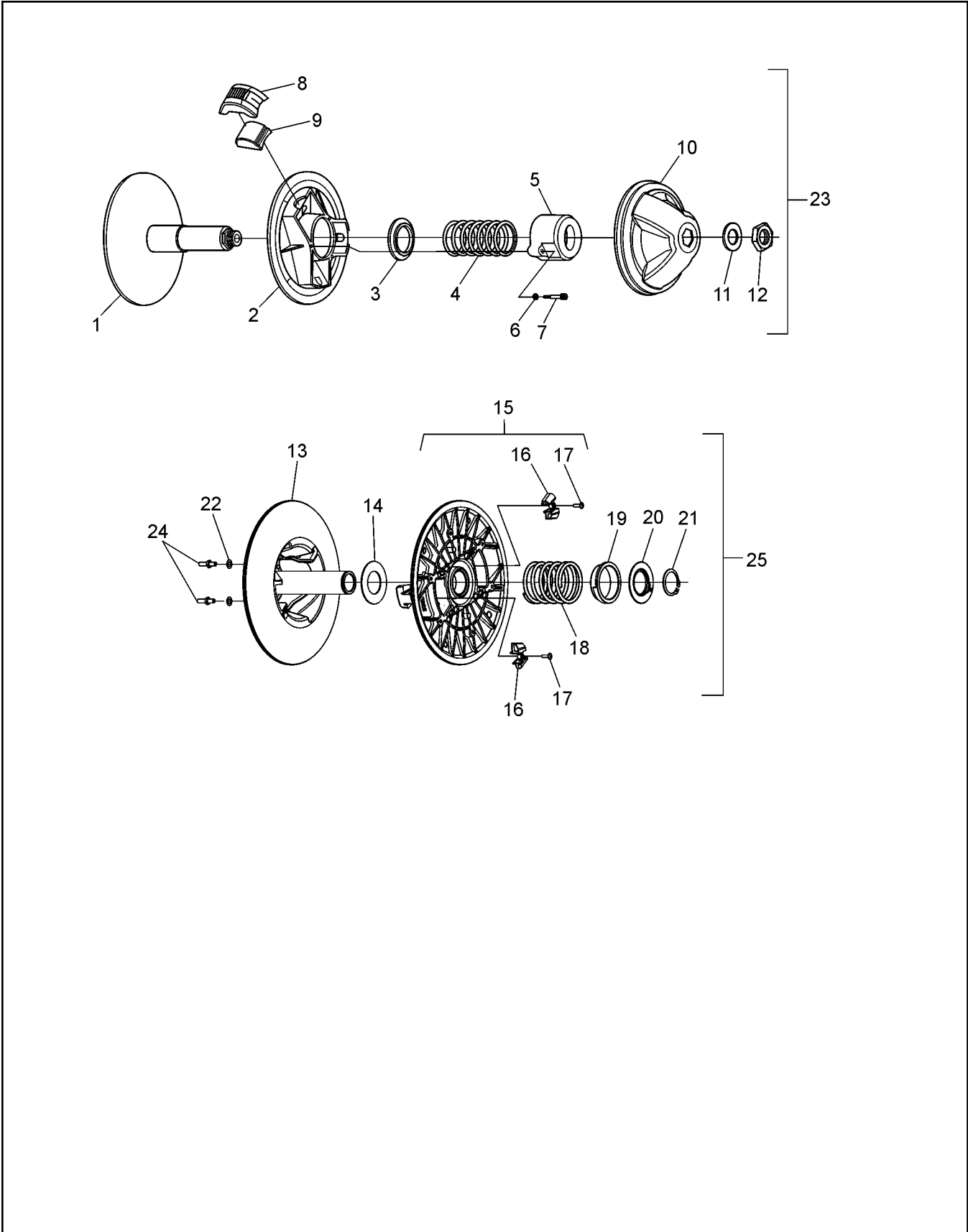
1.0 Transmission

Ref.	Qty.	Part #	Description	Ref.	Qty.	Part #	Description
	1	34-200-FG	Transmission Assembly	54	2	34-201	Shaft, Brake
1	1	101-01	Bearing, Ball 6204Z-C3	55	4	34-202	Gear, Planet - 15T
2	3	101-73	Bearing, Ball 6307 CL.N.	56	2	34-203	Pinion, Spur - 46T
3	2	101-76	Bearing, Tapered Roller 32008X	57	1	34-204	Gear, Helical - 55T
4	2	101-81	Bearing, Ball 6307 ZZE	58	1	34-205	Gear, HelicalL - 67T
5	8	101-82	Bearing, Needle K15x21x17	59	1	34-241	Bracket, Switch, Spring Mount
6	2	101-83	Bearing, Needle KJ37x42x27S				
7	2	101-84	Bearing, Needle HK3012	60	1	34-206	Cage, Differential
8	2	101-40	Bearing, Ball 6305 Open	61	1	34-208	Shaft, Idler
9	3	101-86	Bearing, Ball 6305 Zz	62	1	34-209	Pinion, Helical - 27T
10	1	101-87	Bearing, Needle HMK20x27x25	63	1	34-210	Pinion, Helical - 31T
11	1	101-88	Bearing, Ball 60/28	64	1	34-211	Gear, Helical - 35T
12	1	101-89	Bearing, Ball 60/28 Llu	65	1	34-212	Pinion, Helical - 45T
13	1	101-90	Bearing, Needle HK2220	66	1	34-213	Shaft, Input
14	2	102-33	Seal, Oil 35x80x10	67	1	34-214	Pinion, Reverse - 21T,12Dp
15	1	613-151	Switch, Micro, Roller Lever	68	1	34-215	Pinion, Forward - 27T,12Dp
16	4	105-23	Bushing, Dowel - .312 x .5	69	1	34-216	Shaft, Output
17	1	105-26	Bushing, Oilite .75x.875x.875	70	8	34-217	Gear, Planet - 21T
18	8	105-27	Bushing, Oilite .5x.625x.625	71	1	34-218	Shaft, Planetary Stub
19	2	105-28	Bushing, Dowel .26x.625x.36	72	1	34-219	Planetary Hub
20	1	105-29	Bushing, Oilite 1.0x1.125x.75	73	1	34-220	Pinion, Idler - 20T
21	1	105-30	Bushing, Flanged 1x1.375	74	1	34-221	Shaft, Shift - Reverse
22	1	105-31	Bushing, Bronze 1.125x1.25x.625	75	2	108-18	Washer .40x1.37x.12 Zn
23	1	105-32	Bushing, Bronze 1.125x1.25x.875	76	1	34-223	Collar, Shift, Hi-Low
24	5	106-05	Retaining Ring HO-244-PA	77	1	34-224	Collar, Shift, For-Rev
25	16	106-22	Retaining Ring SH-0056-PA	78	8	34-225	Pin, Planet Carrier
26	2	106-23	Retaining Ring SH-0137-PA	79	1	34-226	Shaft, Output, Right
27	4	106-24	Retaining Ring H0-312-PA	80	3	108-35	Washer .53x1.06x.09 Zn
28	2	106-25	Retaining Ring SH-0078-PA	81	3	102-37	Seal, Oil 25x62x7
29	1	106-26	Retaining Ring H0-206-PA	82	2	34-231	Shaft, Shift - F-N-R
30	1	106-27	Retaining Ring SH-112-PA	83	4	34-232	Fork, Shift - Half
31	1	106-28	Retaining Ring SHR-0112-PA	84	1	34-233	Plate, Detent
32	1	107-15	Retaining Ring SHR-98-PA	85	1	34-242	Bracket, Spring Mount
33	2	106-31	Retaining Ring C-0137	86	8	112-18	SHCS 5/16x2.25
34	2	34-207	Gear, Sun - 81T, 35T	87	1	34-235	Lever, Shaft - F-N-R
35	8	108-93	Washer, .59x1.10x.06	88	4	34-236	Clamp, Lever Shaft
36	2	108-94	Washer, Thrust 1.25x1.688x.125	89	3	106-30	Retaining Ring E-0050 E
37	1	108-96	Spacer, 1.125x1.5x1.083	90	1	34-227	Housing, Admiral, Left
38	1	108-97	Spacer, 1.01x1.3x.409	91	1	34-228	Housing, Admiral, Right
39	4	108-98	Washer, Thrust 1.13x1.46x.062	92	1	34-32	Spring Ø7/32
40	2	108-99	Washer, Thrust .79x1.25x.06	93	1	109-05	Ball, Steel 6mm 62-67 Rc
41	10	112-143	SHCS 5/16x1.25 Zn	94	1	103-02	Plug, Magnetic 3/8-18Npt Sq.Hd
42	8	112-184	SHCS, 10-32x1				
43	4	112-47	SHCS, 1/4-20 x 1.0 Zn	95	11	108-05	Lockwasher 5/16 Split-Ring Zn
44	2	114-16	Washer, SHIM .99x1.375x.030				
45	1	114-17	Washer, Thrust .866x1.181x.039	96	2	104-03	Pin, Dowel 1/4x7/8
46	1	114-18	Spacer, .865x1.0x1.75	97	2	103-18	HHCS 3/8-24x1.25 Gr5 Zn
47	1	114-19	Spacer, 1.12x1.375x.148	98	2	105-33	Bushing, Flange
48	2	114-21	Spacer, .51x.75x.36	99	2	165-22	Disc, Brake - Admiral
49	1	114-22	Spacer, 1.585x1.75x.245	100	2	106-29	Retaining Ring SH-0093-PA
50	1	34-245	Plug, Fill/Vent 1/2 BSPP	101	2	102-36	Seal, Shift Shaft - 0.5x.75x.125
51	1	34-244	Site Glass, 1/2 BSPP				
52	2	127-186	Spring, Comp. 0.70x1.28	102			See Section 6.0 Parking Brake
53	1	127-194	Spring, Ext .360x3.0				



Ref.	Qty.	Part #	Description
1	1	809-03	Duct, Intake
2	2	120-13	Rivet, 3/16 x 5/8 - Black
3	2	809-05	Seal, Radiator - 10.25" LG
4	2	809-06	Seal, Radiator - 16.25" LG
5	1	601-111	Cover Plate, Intake Duct
6	4	108-05	Lockwasher 5/16 Split Ring Zn
7	4	112-30	SHCS M8 x 1,25 x 20mm Zn
8	1	607-121	Muffler Ass'y, Avenger EFI
9	4	126-57	Spring, Extension- 7/16 x 2.14
10	1	607-125	Tube Ass'y, Muffler, Flared
11	1	607-123	Shield, Heat - Muffler
12	7	112-19	Screw, IHWH T/C Slot 1/4-20 x 1/2
13	1	607-109	Duct, Exhaust
14	1	607-126	Spark Arrester, 1.75 Dia.
15	1	607-132	Pipe, Tail - Asm
16	2	125-58	Washer, Fibre - W-77F
17	12	120-04	Washer, .19 x .50 x .08 Zn
18	2	24 041 49	Gasket, Exhaust Manifold
19	1		See Section 4.0 Power Pack Assembly
20	1	108-77	Lockwasher, #8 External Tooth
21	1	112-43	Screw IHWH #8 x 3/8
22	1	707-44	Support, Exhaust Duct - Avenger
23	13	120-09	Rivet, 3/16 x 1.0 Black
24	1	809-04	Shroud, Intake Duct
25	2	112-186	Thumbscrew, 1/4-20 x 1, Nylon
26	2	117-89	U-clip, Tapped 1/4-20 x .531

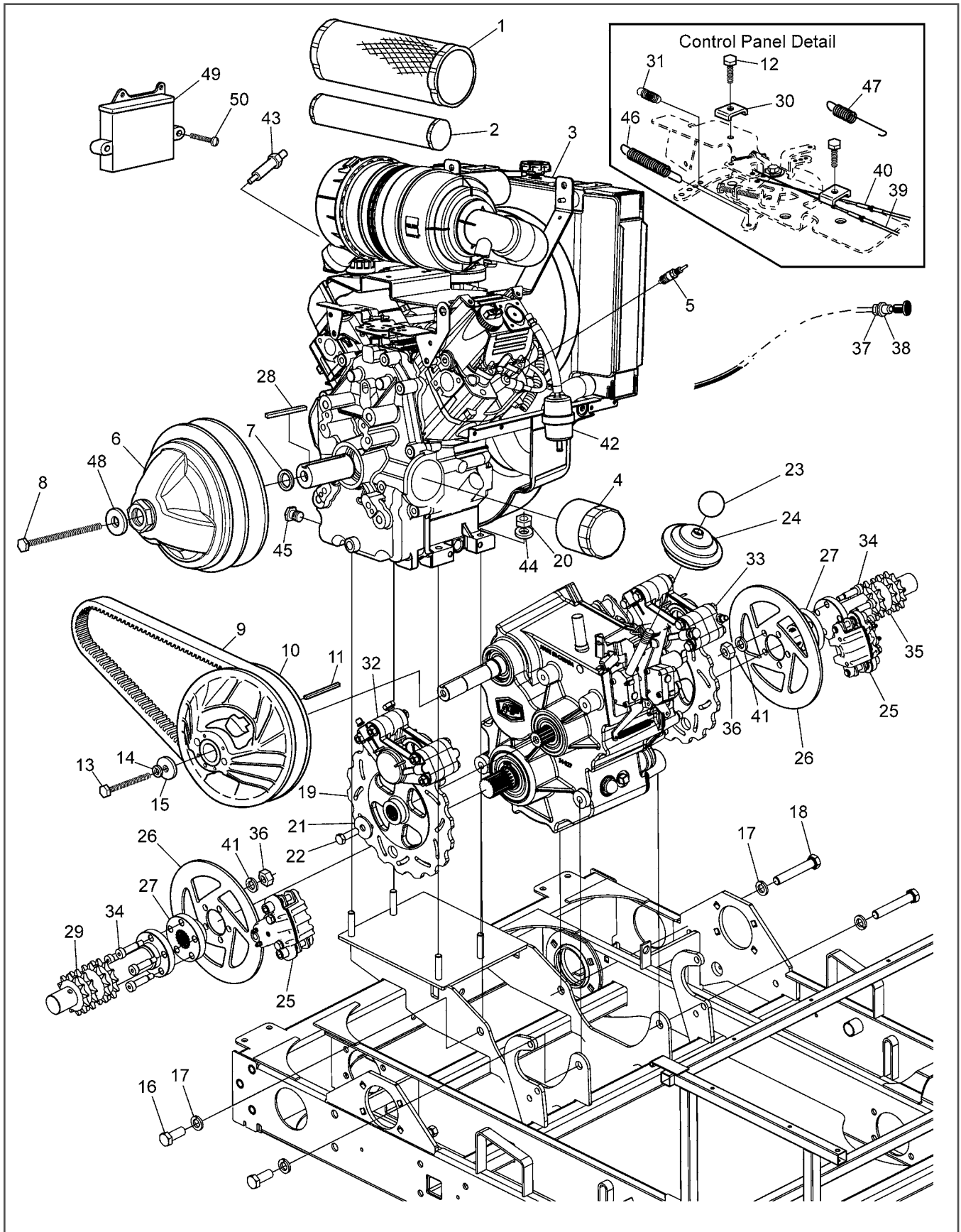
3.0 Clutch System



Ref.	Qty.	Part #	Description
1	1	0405-0075	Flange, Fixed
2	1	0410-0026	Flange, Sliding
3	1	0150-1014	Spring Guide Washer
4	1	0451-1114	Spring
5	1	0440-0005	Spring Cover
6	3	0080-0167	Lockwasher
7	3	0080-0021	Screw, Cap
8	3	0130-3009	Block
9	3	0135-3062	Weight (240gr)
10	1	0115-0047	Cap
11	1	0080-0153	Washer, Zn
12	1	0080-0100	Nut
13	1	5905-0003	Flange, Fixed
14	1	0080-0164	Washer, Shim
15	1	5910-0002	Flange, Sliding
16	3	5930-3001	Cam Shoe
17	2	0080-0031	Screw
18	1	5951-1009	Spring
19	1	5950-3003	Spring Protector
20	1	5950-3002	Spring Support
21	1	0080-0216	Retaining Ring, Outside
22	2	0080-0167	Lockwasher
23	1	127-157	Clutch, Driver - EFI Models
24	2	0080-0035	Screw & Nut Ass'y
25	1	127-156	Clutch, Driven - INVANCE

4.0 Power Pack Assembly

HDi Parts Manual



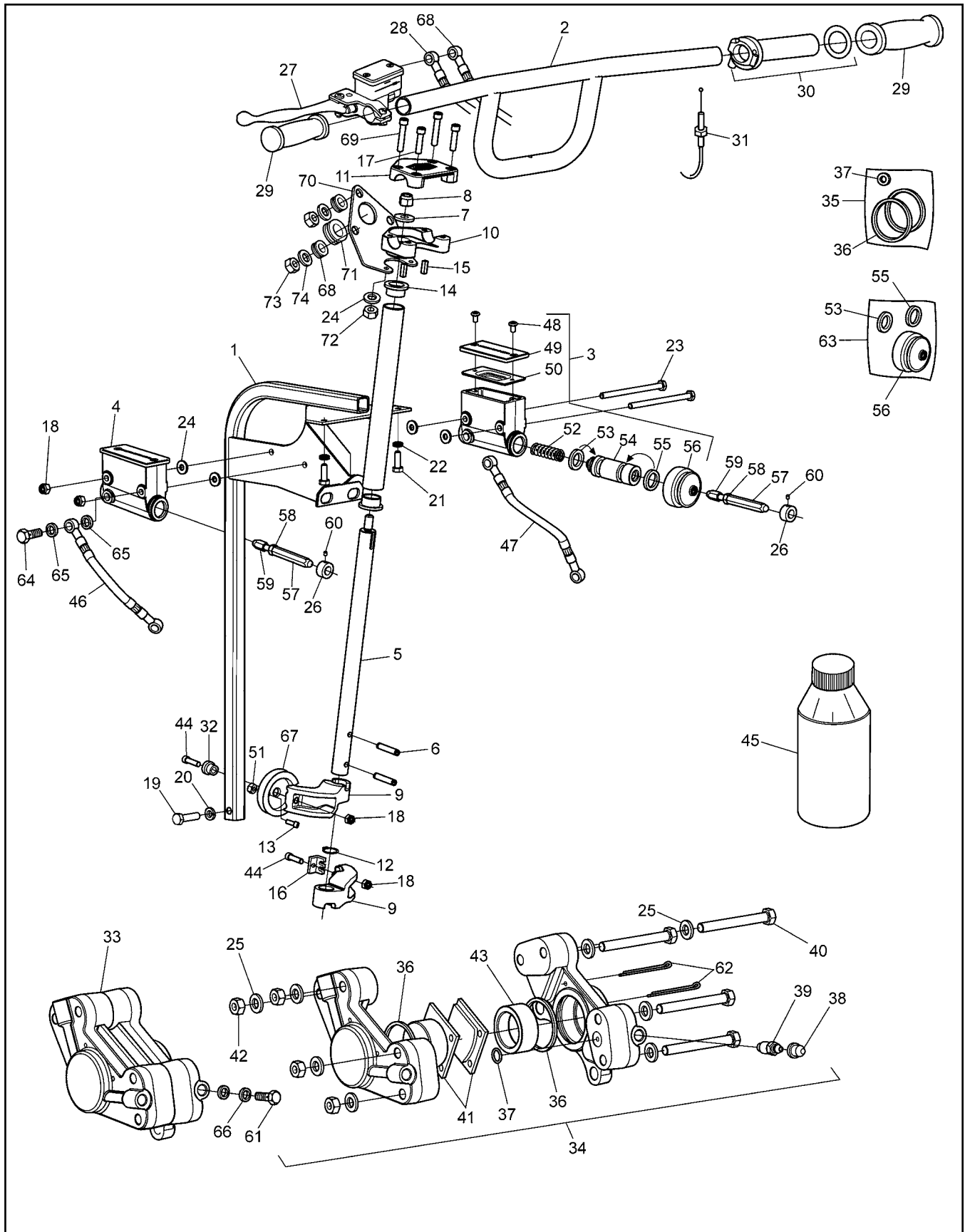
HDI Parts Manual

4.0 Power Pack Assembly

Ref.	Qty.	Part #	Description	Ref.	Qty.	Part #	Description
1	1	25 083 01	Filter, Air	34	10	112-188	Bolt, Shoulder M10 x 30
2	1	25 083 04	Element, Inner	35	1	810-98	Shaft, Output - Ass'y Short
3	1	LH775	Kohler 31 HP Engine, EFI	36	10	117-77	Locknut, Nylon - M8 x 1,25mm Zn8
4	1	12 050 01	Filter, Oil	37	1	117-68	Nut, Jam 3/8-24 UNFZn
5		127-193	Sparkplug, RC14YC	38	1	108-32	Lockwasher 3/8 Int. Tooth
6			See Section 3.0 Clutch System	39	1	612-92	Cable Ass'y, Choke
7	1	108-84	Washer, Engine Clutch	40	1	612-116	Cable Asm., Throttle
8	1	112-160	HHCS, 7/16-20 x 4.50" Lg	41	10	108-05	Lockwasher 5/16 Split-Ring Zn
9	1	127-137	Drive Belt - 10.5" Cen. Dist	42	1	125-64	Filter, Fuel
10			See Section 3.0 Clutch System	43	1		See Section 2.0 Intake & Exhaust System
11	1	110-03	Key 1/4 x 3/16 x 2.375 RC46	44	4	108-26	Washer, .43 x 1.02 x .09 Zn
12	1	M-545016	Screw, Clamp Cable (Kohler #)	45		112-156	Plug, Oil Drain 3/8-18 NPT Hex
13	1	112-164	HHCS 3/8-16 x 3.5 Gr5 Zn	46	1	24 089 46	Spring, Governer (Kohler #)
14	2	108-06	Lockwasher 3/8 Split Ring Zn	47	1	127-49	Spring, Extension
15	1	108-46	Washer .40 x 1.37 x 1.2 Hi-Carbon	48	1	108-58	Washer, .47 x 1.37 x 12 Hi-carbon
16	2	112-189	HHCS 1/2-13 x 1.25 Gr5 Zn	49	1	66 584 05	ECU (c/w engine)
17	4	108-07	Lockwasher 1/2 Split Ring Zn	50	2	112-161	PHMS, 10-24 x 2.5
18	2	112-190	HHCS 1/2-13 x 3.0 Gr5 Zn				
19	2	165-22	Disc, Brake - Admiral				
20	4	117-29	Locknut, Nylon 3/8-16 Zn				
21	2	108-18	Washer .40 x 1.37 x .12 Zn				
22	2	103-18	HHCS 3/8-24 x 1.25 Gr5 Zn				
23	1	127-189	Knob, 1.58" Dia. x 1/2-13				
24	1	609-44	Boot, F-N-R Shifter				
25	2	165-32	Caliper, Service				
26	2	165-25	Disc, Brake, Service				
27	2	34-239	Coupler, Output Shaft				
28	1	110-18	Key 1/4 x 1/4 x 1.75				
29	2	810-99	Shaft, Output Ass'y, Long				
30	1	12 237 01	Clamp, Cable (Kohler #)				
31	1	24 089 51	Spring, Throttle (Kohler #)				
32			See Section 5.0 Steering & Brake System				
33			See Section 5.0 Steering & Brake System				

5.0 Steering & Brake System

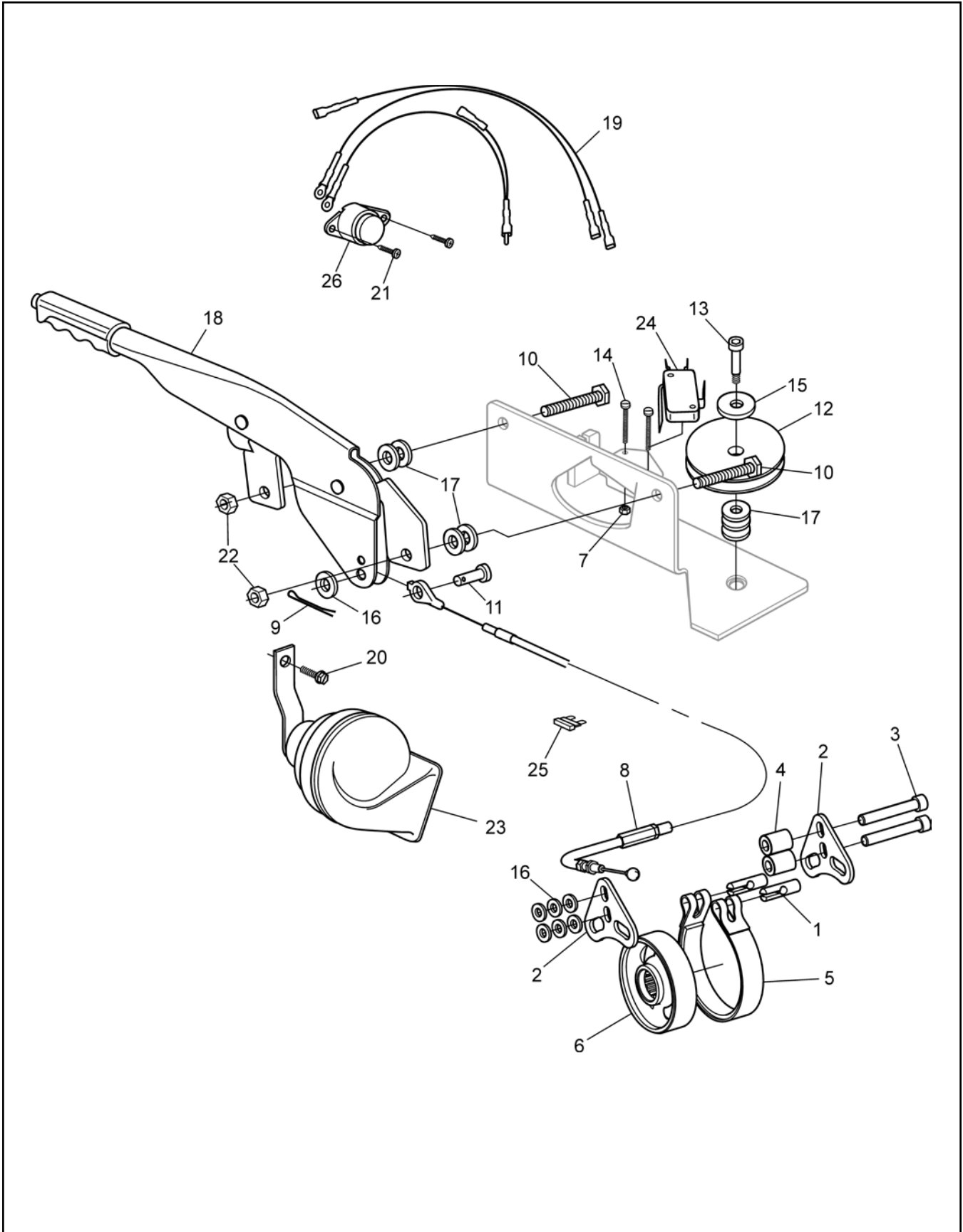
HDi Parts Manual



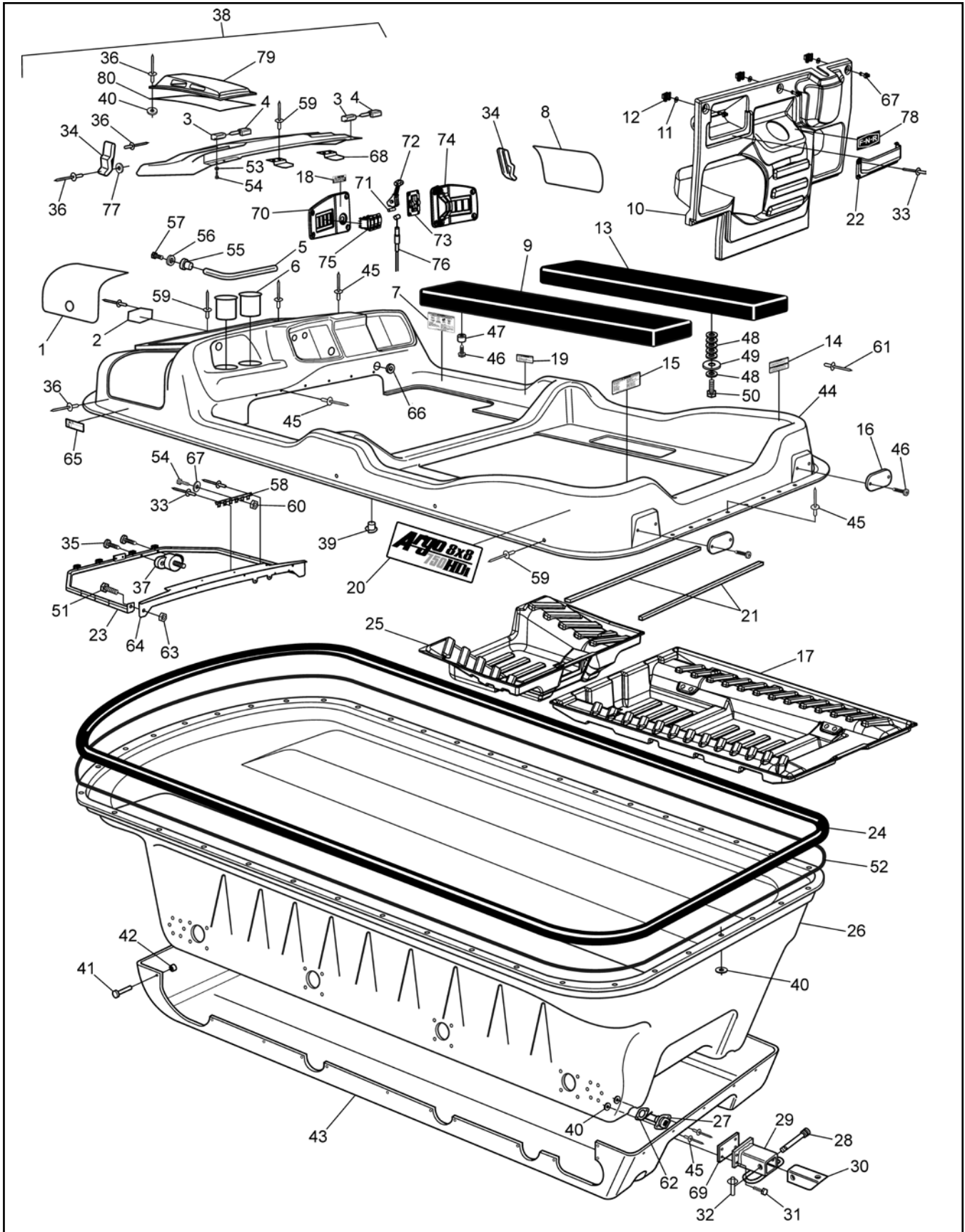
Ref.	Qty.	Part #	Description	Ref.	Qty.	Part #	Description
1	1	612-134	Tube, Steering Support HDI	45		126-19	Fluid, Brake-Silicon
2	1	612-107	Handlebar Assembly				Dot 5 - .35L
3	1	165-08	Master Cylinder, Grimeca - R	46	1	163-05	Hose Asm, Hydraulic - Left
4	1	165-07	Master Cylinder, Grimeca - L				
5	1	612-128	Shaft, Steering - Avenger	47	1	163-06	Hose Asm, Hydraulic - Right - SS
6	2	104-42	Pin, Spring 1/4 x 1.5"	48	2x2	160-42	Screw, FHMS M5 x 0,8 x 6mm
7	1	108-47	Washer, .39 x .94 x .13 Zn Di-chr	49	2x1	168-08	Cover
8	1	117-29	Locknut, Nylon 3/8-16 Zn	50	2x1	168-09	Cover, Rubber
9	2	612-124	Arm, Steering	51	1	117-10	Locknut, 10-24 N/I Zn
10	1	612-106	Clamp, Lower Handlebar	52	2x1	162-08	Spring, Comp. 17.3 x 49.3mm
11	1	612-105	Clamp, Upper Handlebar	53	2x1		Seal, Primary, 19mm (See Ref. 63)
12	1	106-07	Ring, Retaining SH-0075PA	54	2x1	168-10	Piston 19mm dia.
13	1	160-46	SHCS, #10-24 x 3/8"	55	2x1		Seal, Secondary, 19mm (See Ref. 63)
14	2	105-16	Bushing, Oilite - 3/4 x 1/2	56	2x1		Boot, Rubber (See Ref. 63)
15	2	110-17	Key, 3/16 x 3/16 x .625	57	2	812-30	Pin, Female
16	1	128-24	Retainer, Handbrake Cable	58	2	117-03	Nut, Fin Hex 1/4-20 Zn
17	2	112-47	SHCS, 1/4-20 x 1.0 Zn	59	2	812-31	Fin, Male
18	4	117-27	Locknut, Nylon 1/4-20 Zn	60	2	112-02	SHSS 10-24x1/4 Knurl Cup PT, PL
19	1	103-38	HHCS 5/16-18 x 1.25 Gr5 Zn	61	2	160-45	Bolt, Banjo
20	1	108-05	Lockwasher 5/16 Split-Ring Zn	62	2x2	168-07	Pin, Cotter 1/8 x 3.00 Zn
21	2	112-04	HHCS 1/4-20 x 3/4 Gr2 Zn	63	2x1	161-25	O-Ring Kit - Master Cylinder - Grimeca (incl. Ref. 53, 55 & 56)
22	2	108-03	Lockwasher 1/4 Split Ring Zn	64	2	160-44	Bolt, Banjo - M10 x 1,0 x 21,0
23	2	103-66	HHCS, 1/4-20 x 4.0 Gr5 Zn	65	4	160-01	Washer, Copper - 1,5 x 10,0 x 14,0
24	4	108-08	Washer, .28 x .62 x .04 Zn	66	4	160-04	Washer, Copper 2.3 x 10.0 x 16.0
25	2x8	108-24	Washer, .34 x .70 x .06 Zn	67	1	165-18	Pulley, Handbrake Cable
26	2	812-17	Collar	68	1	165-35	Brake Line, Driver Side
27	1	165-31	Handbrake, Left Hydraulic	69	2	103-69	SHCS 1/4-20 x 1.5 Zn
28	1	165-34	Brake Line, Passenger Side	70	1	612-132	Bracket, LCD Gauge - Painted
29	2	127-35	Grip, Molded	71	1	128-27	Grommet 1-1/4ID x 1-1/2x3/32
30	1	127-81	Throttle Twist Grip	72	2	117-86	Nut, Acorn, 1/4-20 Zn
31	1	612-116	Cable Asm., Throttle	73	3	117-85	Nut, Acorn, M5 Zn
32	1	105-25	Bushing, Flange Oilite FF-310	74	3	120-04	Washer .19 x .50 x.08 Zn
33	1	166-10	Caliper, Hydraulic Brake - L w/o pads				
34	1	166-11	Caliper, Hydraulic Brake - R w/o pads				
35	2	161-05	O-ring Kit, Knott Caliper				
36	2		Seal, Piston				
37	2		Seal, Rubber				
38	2x1	168-20	Plug, Rubber				
39	2x1	168-02	Screw, Bleeding, Knott Caliper				
40	2x4	112-154	SHCS, 5/16-18 x 2.75 Zn				
41	1	170-03	Pad Set (4), Brake - Non-Asbestos				
42	2x4	117-03	Nut, Fin Hex 5/16-18 Zn				
43	2x2	168-01	Piston, Knott Caliper				
44	2	112-159	BHCS, 1/4-20 x 1.0, Plated				

6.0 Parking Brake

HDi Parts Manual



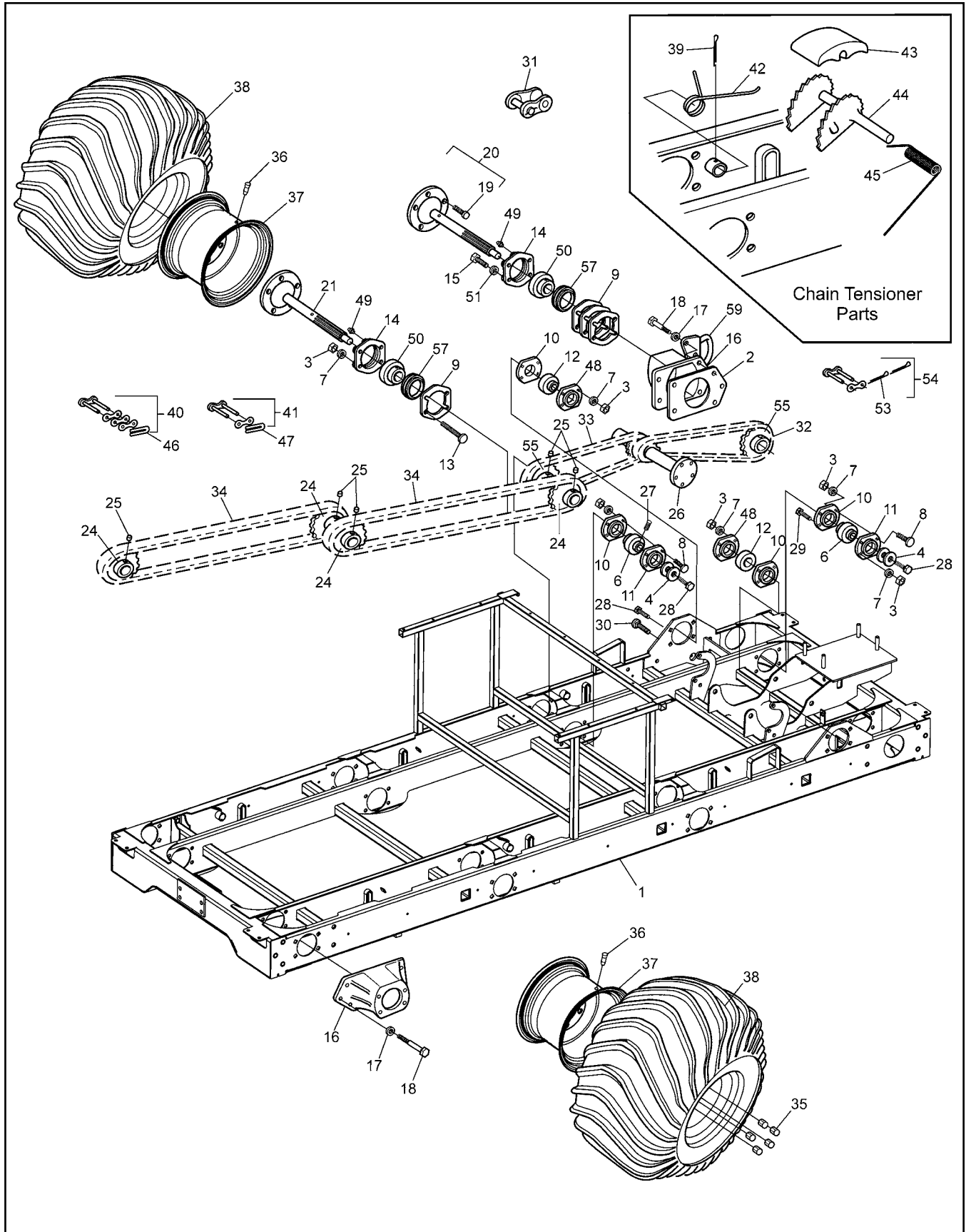
Ref.	Qty.	Part #	Description
1	3	104-57	Pin, Slotted .375 x 1.25
2	2	165-27	Bracket, E-Brake
3	2	112-185	SHCS 5/16 x 2.0 Zn
4	2	114-23	Spacer, .34 x .63 x .80
5	1	165-28	Band, Brake
6	1	34-243	Drum, E-Brake
7	2	112-173	Locknut, #5-40, Zn
8	1	165-33	Cable, Parking Brake - HDi
9	1	100-100	Pin, Cotter 1/8x3/4 Zn
10	2	103-06	HHCS 5/16-18x1.0 Gr5 Zn
11	1	104-27	Pin, Clevis 5/16x.75" Zn
12	1	850-79	Pulley, Parking Brake Cable
13	1	112-178	Bolt, Shoulder, 1/2 x 5/8
14	2	112-172	SHCS 5-40 x 3/4 Zn
15	1	108-41	Washer .53 x 1.09 x .12 Plain
16	6	108-24	Washer .34x.70x.06 Zn
17	7	108-47	Washer .39x.94x.13 Zn Di-Chro
18	1	809-147	Lever, Parking Brake
19	1	848-88	Wire Harness, Horn*
20	1	112-19	Screw,IHWH T/C Slot 1/4-20x1/2*
21	2	112-56	T/S Pan Head Phil #10x3/4 A Zn*
22	6	117-21	Locknut, Nylon 5/16-18 Zn
23	1	848-87	Horn, Electric*
24	1	613-120	Switch, Micro, Lever
25	1	118-52	Fuse, 10A 2-Prong (AT010)*
26	1	848-86	Button, Horn*
			*If equipped



HDI Parts Manual

7.0 Vehicle Body & Firewall

Ref.	Qty.	Part #	Description	Ref.	Qty.	Part #	Description
1	1	707-43	Screen - Exhaust	43	1	801-51	Skid Plate, 8x8 - Black
2	1	601-44	Nameplate, "Argo"	44	1	801-52	Body & Hood, Upper - (spec. colour) (incl. 23, 33, 34, 38)
3	2	127-45B	Knuckle, Hinge	45	113	120-09	Rivet 3/16 x 1 - Black
4	2	127-45A	Pin, Hinge	46	8	103-48	T/S Pan HD PHIL #10 x 5/8
5	1	601-101	Tube, Dash Handle	47	4	126-79	Bumper, Plastic - Black
6	2	100-109	Cup holder Insert	48	24	108-25	Washer .31 x .75 x .06 Zn
7	1	126-68	Plate, Operation	49	4	603-15	Washer, Plastic 5/16 Hole
8	1	707-42	Screen, Intake	50	4	103-08	HHCS 1/4-20 x 1.0 Zn
9	1	608-64	Seat, Rear - Left	51	2	112-04	HHCS 1/4-20 x 3/4 Gr2 Zn
10	1	609-42	Firewall, Admiral	52	1	126-60	Vinyl Strip, 1/2" x 1/4" x 37.5'
11	3	114-24	Retainer, Q-Turn Washer	53	8	108-59	Lockwasher #10 Int. Tooth Zn
12	3	117-91	Receptacle, Q-Turn	54	9	103-47	HHCS 10-24 x 1/2
13	1	608-65	Seat, Rear - Right	55	1	113-12	Insert, 1/2-13
14	1	126-67	Plate, Floor Pan	56	1	108-35	Washer .53 x 1.06 x .09 Zn
15	1	127-173	Plate, Vehicle Capacity	57	1	112-151	HHCS 1/2-13 x 1" Gr2 Zn
16	2	127-01	Reflector, Red	58	1	613-37	Terminal Strip, Ground
17	1	803-64	Floor Pan, Rear - HDi	59	13	120-13	Rivet, 3/16 x 5/8 Black
18	1	127-199	Label, Caution - Dash, HDi	60	1	117-10	Locknut, 10-24 N/I Zn
19	1	126-69	Plate, Fuel	61	38	120-24	Rivet, 3/32 x 3/8 Alum. (all plates)
20	2	127-196	Nameplate - Argo 750 HDi	62	2	100-114	Gasket, Drain Plug
21	2	601-09	Trim, Vinyl - 28"	63	2	117-82	Locknut, Flange 1/4-20 Zn
22	1	609-43	Glove Box, Firewall, HDi	64	1	602-51	Frame Ass'y, Hood - Rear
23	1	602-49	Frame Ass'y, Hood - Front	65	1	127-144	Label, Warning - HOT
24	1	801-05	Bumper, Vinyl - 8x8	66	1	128-26	Grommet, 1-1/2ID x 1-3/4x1/4
25	1	803-63	Floor Pan, Front - HDi	67	3	112-193	Stud, Q-Turn
26	1	801-50	Body, Lower	68	2	602-52	Clip, Hood
27	2	100-107	Plug, Drain - Flanged	69	1	616-20	Gasket, Rear Hitch
28	1	104-13	Pin, Toplink - 3/4 x 2.75	70	1	601-113	Panel, dash - Left, HDi
29	1	616-16	Hitch Assembly	71	1	104-57	Pin, Slotted .375 x 1.25
30	1	616-19	Tube, Hitch	72	1	127-192	Pivot, Hi-Lo Shaft
31	4	103-61	HHCS 3/8-24 x 1.5 Gr5 Zn	73	1	127-191	Bracket, Hi-Lo Shift - HDi
32	1	104-11	Pin, Lynch - Ring	74	1	601-112	Panel, Dash - Right, HDi
33	12	120-15	Rivet - 1/8 x 7/16	75	1		See Section 10.0 Electrical System
34	2	602-56	Latch, Hood - Soft Draw	76	1	127-198	Cable, Hi-Lo Shifter
35	4	112-180	Screw, Self-Drilling, #8x3/4	77	??	120-05	Washer .19 x .50 x .04 Zn
36	34	120-11	Rivet 5/32 x 9/16 - Black	78	1	127-200	Label, F-N-R - HDi
37	1	613-123	Post, Power, 5/16-18, Red	79	1	602-60	Scoop, Hood - HDi
38	1	602-47	Hood Kit (spec. colour) (incl. 3, 4, 34, 36, 53, 54, 59, 67, 68)	80	1	602-59	Screen, Hood - HDi
39	2	117-44	T- Nut 1/4-20 Zn	81	2ft	809-166RM	Seal, Radiator Baffle - Side
40	99	120-04	Washer .19 x .50 x .08 Zn				
41	32	120-27	Pin, Magna Grip				
42	32	120-28	Collar, Magna Grip				



Ref.	Qty.	Part #	Description	Ref.	Qty.	Part #	Description
1	1	804-112	Frame Asm - 8x8 HDi	38	8	127-182	Tire, Argo 25x12-9
2	4	606-25	Gasket - Bearing Extension	39	6	100-01	Pin, Cotter 1/8 x 1.50 Zn
3	80	117-29	Locknut, Nylon 3/8-16 Zn	40	1x4	100-96	Con. Link, RC50-2 H.D.
4	16	108-46	Washer .40 x 1.37 x .12 Hi-Carbon	41	1x4	603-84	Con. Link, RC60-1 H.D.
5	12	101-35	Bearing, Ball - 1.25	42	6	127-65	Spring Torsion - 1.16x0.35
6	8	101-41	Bearing, Ball - 1.0	43	6	606-44	Slider Block
7	96	108-15	Washer, .42 x .81 x .05 Zn	44	6	606-82	Tensioner Asm, Chain
8	31	103-88	C/Bolt 3/8-16 x 1.0 Gr5 Zn	45	6	127-64	Spring, Torsion - .76 x 1.9
9	16	606-90	Gasket, Flange - 72mm	46	4	603-95	Spring Clip - RC 50 Closed
10	20	606-91	Flange - 4 Hole Hd	47	4	603-96	Spring Clip - RC 60 Closed
11	10	606-92	Flange, Greasable - 4 Hole Hd	48	2	606-93	Flange, Greaseable - 90 Deg. Hd
12	4	101-96	Bearing, Ball - 1.25x1.5 No Grv	49	8	100-121	Fitting, Grease 3/16"
13	16	112-187	C-Bolt 3/8-16x2.0 Gr5 Zn	50	8	101-95	Bearing, Ball - 1.25 x 72mm
14	8	606-87	Flange, Outer Bearing	51	16	108-06	Lockwasher 3/8 Split Ring Zn
15	16	103-68	HHCS 3/8-16 x 2.0 Gr5 Zn	53	4	104-35	Pin, Cotter 2mm x 12mm
16	4	810-112	Bearing Extension w/nuts	54	2	603-94	Con. Link, RC60-1 Cotter Pin
17	20	108-34	Washer .47 x .94 x .06 Zn	55	4	810-28	Sprocket, Double - 24T
18	20	112-181	HHCS 7/16-20 x 1.75 Gr5 Zn	57	8	606-89	Carrier, Axle Bearing
19	5x8	103-80	Stud, Wheel 7/16-20 x 1.125 #B271	59	2	642-47	Tie Down Bracket
20	4	810-92	Axle Asm - Front/Rear (incl. Ref. 19)				
21	4	810-75	Axle Asm - Mid (incl. Ref. 19)				
24	8	606-34	Sprocket, S60 x 19T				
25	10	112-03	SHSS 5/16-18 x 3/8 1/2 DOG, PL				
26	1		See Section 4.0 Power Pack Ass'y				
27	2	112-60	SHSS 1/4-28 x 1/2 Cup Pt.				
28	12	112-31	HHCS 3/8-16 x 1.0 2B Gr8 Zn				
29	1	112-163	HHCS 3/8-16 x 2.0 Gr5 Zn				
30	4	112-61	C/Bolt 3/8-16 x 1.25 Gr5 Zn				
31		127-80	Link, Half - RC60 - 1 (opt.)				
32	2	803-66	Chain, RC50-2x44P-Front (incl. Ref. 40)				
33	2	803-65	Chain, RC50-2x80P-Middle (incl. Ref. 40)				
34	4	803-57	Chain, RC60-1 x 90P-Rear (incl. Ref. 41)				
35	5x8	117-35	Nut, Wheel 7/16-20 Zn				
36	8	125-26	Valve, Tire				
37	8	127-61B	Rim - 10 x 9 - Black				

Ref.	Qty.	Part #	Description
1	8	108-03	Lockwasher 1/4 Split Ring Zn
2	1	608-128	Frame Assembly, Seat HDi
3	4	112-04	HHCS 1/4-20x3/4 Gr2 Zn
4	1	608-86	Pick-up, Fuel, 1/4"x 6.75" (Return Tube)
5	1	608-59	Neck Assembly, Vented Filler
6	1	608-76	Frame Assembly, Backrest
7	1	608-39	Back pad Assembly
8	1	608-91	Tank, Fuel - Avg
9	2	103-77	HHCS, 1/4-28 x 2.0
10	2	117-01	Locknut, Nylon 1/4-28 Zn
11	1	608-54	Toolbox
12	1	127-54	See Section 10.0 Electrical System
13	1	608-55	Cover, Battery
14	1	608-88	Seat Assembly, Bench - Thick
15	2	608-81	Hinge, Seat, Bolted
16	2	104-43	Pin, 3/16" x 1-1/8"
17	4	702-06	Foam Cushion
18	1	608-56	Strap, Battery
19	17	120-09	Rivet 3/16x1 - Black
20	4	112-79	Clamp, Hose, 1/2" - Black
21	1	608-69	Hose, Fuel 5/16" ID x 7.5' - Carb
22	9	120-04	Washer .19 x .50 x .08 Zn
23	2	100-12	Clamp, Gear 2.25" HF-36
24	1	125-94	Hose, Filler
25	10	112-07	RHMS 10-24 x 1.50 Zn
26	1	126-46	Cap, Fuel
27	1	127-21	Hose, Vent - 109"
28	1	126-50	Male Connector, 1/4"
29	6	126-94	Clamp, Nylon Wire - 1/4" ID
30	10	108-42	Washer .21 x 1.0x.06 Zn
31	14	117-10	Locknut, Nylon #10-24 Zn
32	1	117-54	Nut, Locking PAL 1/2-20 Zn
33	7	126-93	Clamp, Nylon Wire - 1/2" ID
34	1	608-66	Hose, Fuel 1/4" ID, 80"
36	2	112-41	PHMS, Phil 1/4-20 x 1.25 Zn
37	4	103-03	PHMS, Phil 1/4-20 x 1.50 Zn
38	2	117-64	Insert, 1/4-20 Steel Cad Pltg.
39	4	120-13	Rivet, 3/16 x 5/8 Black
40	2	112-182	HHCS, 10-24 x 3/4 Gr2 Zn
41	7	100-101	Clamp, Gear 1/2" HF or MH-4
42	4	120-31	Rivet, 3/16" x 1/4, Open End
43	1	24 393 52	Fuel Pump, EFI
44	1	608-127	Pick-up, Fuel, 5/16 105 Mesh
45	1	24 403 16	Regulator, Fuel Pressure
46	2	112-78	Clamp, Hose, 9/16
47	1	24 050 03	Filter, Fuel Line - EFI - c/w engine
48	2	103-47	HHCS, 10-24 x 1/2

Ref.	Qty.	Part #	Description
1	1	613-90	Outlet, 12 Volt DC
2	1	613-153	Switch, Light
4	1	613-128	Cable, Extension, Speedo Pickup
5	2	127-108	Key, Molded
6	1	127-107	Bezel - Cover, Nut
7	1	127-106	Nut, Flanged - Plastic
8	1	127-105	Switch - Ignition
9	1	613-126	Sensor, Speedo Pickup
10	8	112-56	T/S Pan Hd. Phil #10 x 3/4 Blk.
12	1	117-87	Nut, M12 x 1.25, Zn
13	1	613-124	Insulator, 2 Way w/cap, Red
14	1	613-130	Gauge, LCD
16	1	127-55	Cap, Battery Terminal - Red
17	1	127-54	Battery, Exide 45-60
	1	613-161	Battery, Optima - Argo (Optional)
18	2	613-159	Headlight Ass'y - 37.5W (incl. items 26 & 36)
19	2	613-37	Terminal Strip, Ground
20	1	613-118	Wire Harness, Kohler 31HP EFI
21	1	613-46	Insulator, Terminal (2 ga.)
22	1	613-94	Wire, Positive Battery
23	1	613-95	Wire, Negative Battery
24	1	681-00	FOB, Key - Floating
25	2	127-56	Terminal, Battery Post
26	2	127-46	Bulb, Headlight - Halogen 37W
27	2	112-51	Screw, IHWH T/C #10-24 x 5/8
28	4	117-10	Locknut, Nylon #10-24 Zn
29	1	118-52	Fuse, 10A 2 Prong (AT010)
30	3	118-49	Fuse, 15A 2 Prong (AT015)
31	1	118-53	Fuse, 20A 2 Prong (AT020)
32	9	118-62	Terminal - Fuse, single
33	1	118-63	Terminal - Fuse, triple
34	1	118-61	Terminal - Fuse, quad
35	2	118-60	Block - Fuse, 8 position (4 fuse)
36	2	613-152	Bezel, Headlamp
37	1	127-143	Label, Fuse Panel - Kohler
38	1	613-99	Light, Shifter Illumination
39	2	118-69	Terminal, 3/16 Male Blade 22 Ga
40	2	112-139	OHPS T/S #4 x 5/8 Black Zn

ARGO Products Manufactured by:

Ontario Drive & Gear Limited

220 Bergey Court

New Hamburg, Ontario

Canada N3A 2J5

Phone: (519) 662-2840

Fax: (519) 662-2421

www.argoatv.com

ODG *Dedicated to quality and performance*