

Argo 6x6
650HD



Argo 6x6

PARTS MANUAL

From Serial # ...16916

Foreword

ODG has prepared this parts manual for the 6x6 650 HD model to assist both qualified mechanics and vehicle owners in ordering correct, quality replacement ARGO parts. For the most current parts manual visit our website at www.argoatv.com.

Proper and regular service, and replacing old, worn or broken parts with the correct ARGO replacement parts, are both essential to prolonging the life of the ARGO. Please refer to this parts manual and/or our website www.argoatv.com before ordering any replacement part.

All information contained in this 6x6 650 HD Parts Manual is based on the latest product specification available at time of printing. If your 6x6 650 HD differs from the specifications contained in this manual, check our website www.argoatv.com for the most current information.

ODG reserves the right to alter specifications on the 6x6 650 HD model at any time, without obligation or prior notification.

Reproduction of this 6x6 650 HD Parts Manual, in whole or in part, is prohibited without prior written permission from Ontario Drive & Gear Limited.

Vehicle Identification

6x6 650 HD - Serial Nos. ...16916

Explanation of Parts Manual Format

- Ref** - Reference number between assembly diagram and component parts list
- Part No.** - Argo replacement part number for identification and re-ordering
- Description** - Part description for identification and re-ordering
- Qty** - Indicates the quantity of a part used in an assembly

Argo 6x6 650 HD



Using the Parts Manual

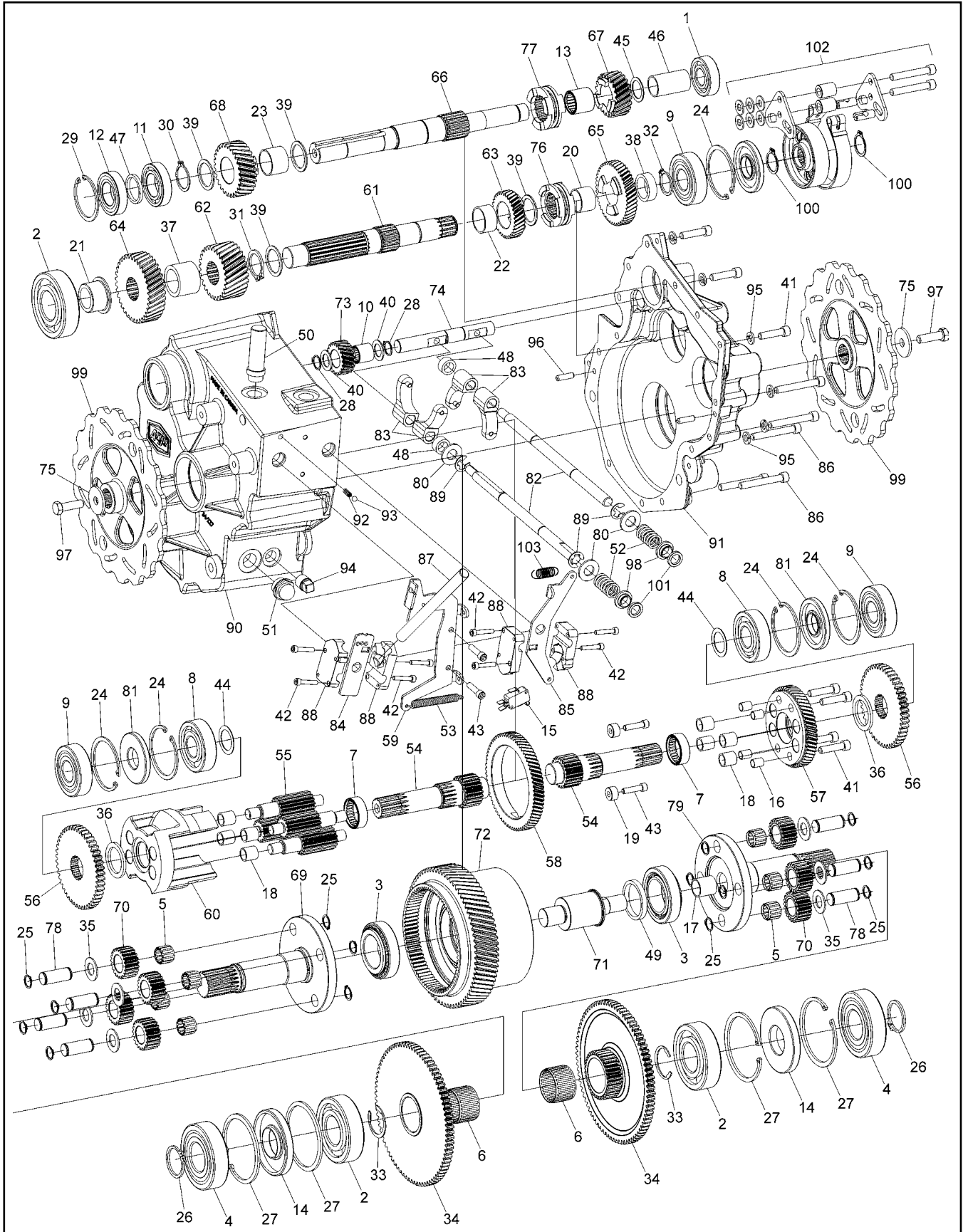
1. Find the major vehicle assembly in the Table of Contents on this page, and turn to that section.
2. Locate the part in the illustration that you wish to order.
3. Refer to the parts list in that section.
4. Find the correct part number (Part No.), part description (Description) and correct quantity (Qty).
5. Use *only* this information to order ARGO replacement parts. **DO NOT** attempt to order a replacement part by reference number or page number.

Table of Contents

Foreword	i
Vehicle Identification.....	i
Using the Parts Manual	ii
1.0 Transmission	1
2.0 Intake and Exhaust System.....	3
3.0 Clutch System	5
4.0 Power Pack Assembly	7
5.0 Steering & Brake System	9
6.0 Parking Brake	11
7.0 Vehicle Body & Firewall.....	13
8.0 Frame & Drive System	15
9.0 Fuel System & Seat Assembly	17
10.0 Electrical System.....	19

1.0 Transmission

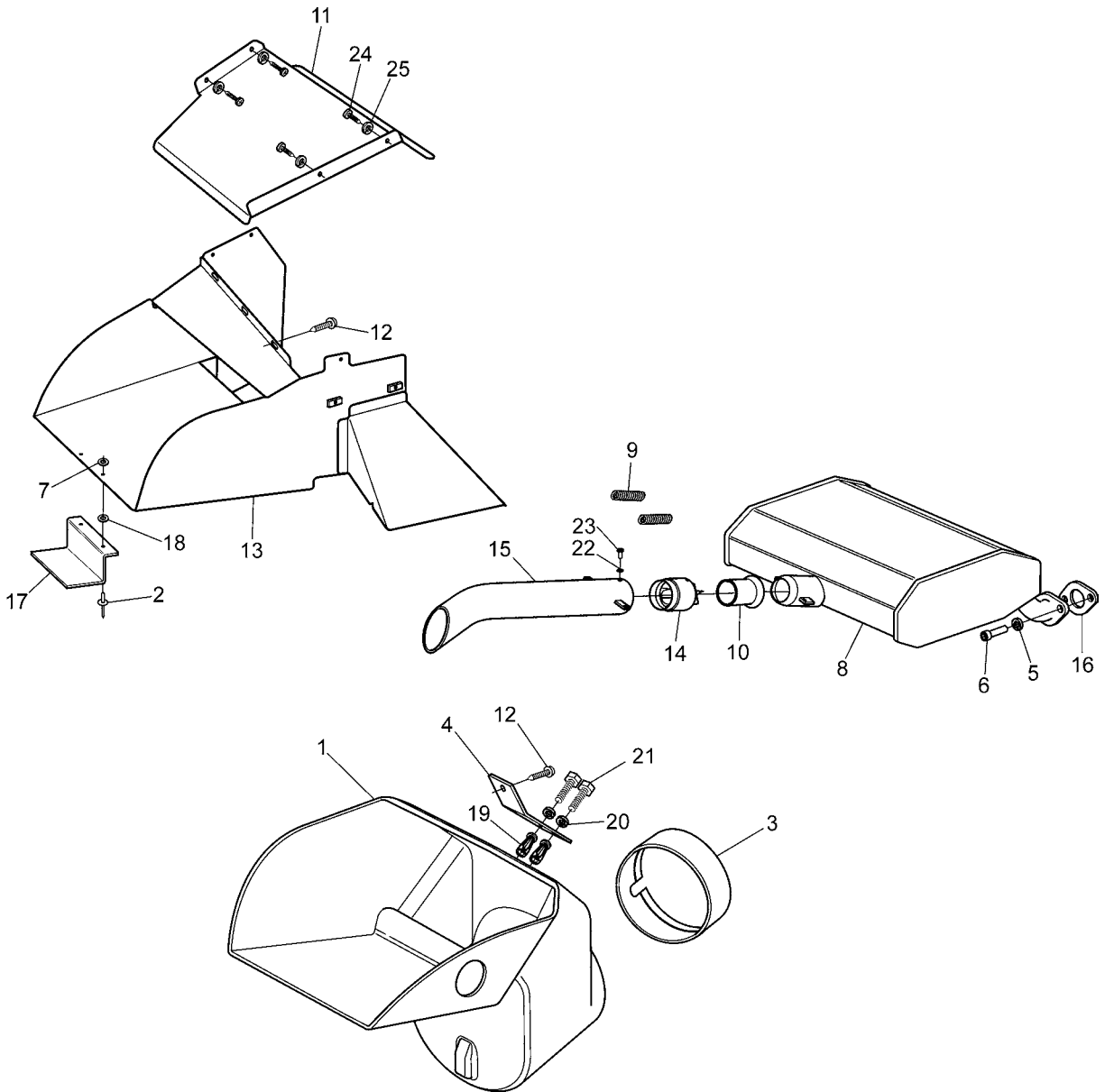
6x6 650 HD Parts Manual



6x6 650 HD Parts Manual

1.0 Transmission

Ref.	Qty.	Part #	Description	Ref.	Qty.	Part #	Description
	1	34-200-FG	Transmission Assembly	55	4	34-202	Gear, Planet - 15T
1	1	101-01	Bearing, Ball 6204Z-C3	56	2	34-203	Pinion, Spur - 46T
2	3	101-73	Bearing, Ball 6307 CL.N.	57	1	34-204	Gear, Helical - 55T
3	2	101-76	Bearing, Tapered Roller 32008X	58	1	34-205	Gear, HelicalL - 67T
4	2	101-81	Bearing, Ball 6307 ZZE	59	1	34-241	Bracket, Switch, Spring Mount
5	8	101-82	Bearing, Needle K15x21x17	60	1	34-206	Cage, Differential
6	2	101-83	Bearing, Needle KJ37x42x27S	61	1	34-208	Shaft, Idler
7	2	101-84	Bearing, Needle HK3012	62	1	34-209	Pinion, Helical - 27T
8	2	101-40	Bearing, Ball 6305 Open	63	1	34-210	Pinion, Helical - 31T
9	3	101-86	Bearing, Ball 6305 Zz	64	1	34-211	Gear, Helical - 35T
10	1	101-87	Bearing, Needle HMK20x27x25	65	1	34-212	Pinion, Helical - 45T
11	1	101-88	Bearing, Ball 60/28	66	1	34-213	Shaft, Input
12	1	101-89	Bearing, Ball 60/28 Llu	67	1	34-214	Pinion, Reverse - 21T,12Dp
13	1	101-90	Bearing, Needle HK2220	68	1	34-215	Pinion, Forward - 27T,12Dp
14	2	102-33	Seal, Oil 35x80x10	69	1	34-216	Shaft, Output
15	1	613-151	Switch, Micro, Roller Lever	70	8	34-217	Gear, Planet - 21T
16	4	105-23	Bushing, Dowel - .312 x .5	71	1	34-218	Shaft, Planetary Stub
17	1	105-26	Bushing, Oilite .75x.875x.875	72	1	34-219	Planetary Hub
18	8	105-27	Bushing, Oilite .5x.625x.625	73	1	34-220	Pinion, Idler - 20T
19	2	105-28	Bushing, Dowel .26x.625x.36	74	1	34-221	Shaft, Shift - Reverse
20	1	105-29	Bushing, Oilite 1.0x1.125x.75	75	2	108-18	Washer .40x1.37x.12 Zn
21	1	105-30	Bushing, Flanged 1x1.375	76	1	34-223	Collar, Shift, Hi-Low
22	1	105-31	Bushing, Bronze 1.125x1.25x.625	77	1	34-224	Collar, Shift, For-Rev
23	1	105-32	Bushing, Bronze 1.125x1.25x.875	78	8	34-225	Pin, Planet Carrier
24	5	106-05	Retaining Ring HO-244-PA	79	1	34-226	Shaft, Output, Right
25	16	106-22	Retaining Ring SH-0056-PA	80	3	108-35	Washer .53x1.06x.09 Zn
26	2	106-23	Retaining Ring SH-0137-PA	81	3	102-37	Seal, Oil 25x62x7
27	4	106-24	Retaining Ring H0-312-PA	82	2	34-231	Shaft, Shift - F-N-R
28	2	106-25	Retaining Ring SH-0078-PA	83	4	34-232	Fork, Shift - Half
29	1	106-26	Retaining Ring H0-206-PA	84	1	34-233	Plate, Detent
30	1	106-27	Retaining Ring SH-112-PA	85	1	34-242	Bracket, Spring Mount
31	1	106-28	Retaining Ring SHR-0112-PA	86	8	112-18	SHCS 5/16x2.25
32	1	107-15	Retaining Ring SHR-98-PA	87	1	34-235	Lever, Shaft - F-N-R
33	2	106-31	Retaining Ring C-0137	88	4	34-236	Clamp, Lever Shaft
34	2	34-207	Gear, Sun - 81T, 35T	89	3	106-30	Retaining Ring E-0050 E
35	8	108-93	Washer, .59x1.10x.06	90	1	34-227	Housing, Admiral, Left
36	2	108-94	Washer, Thrust 1.25x1.688x.125	91	1	34-228	Housing, Admiral, Right
37	1	108-96	Spacer, 1.125x1.5x1.083	92	1	34-32	Spring Ø7/32
38	1	108-97	Spacer, 1.01x1.3x.409	93	1	109-05	Ball, Steel 6mm 62-67 Rc
39	4	108-98	Washer, Thrust 1.13x1.46x.062	94	1	103-02	Plug, Magnetic 3/8-18Npt Sq.Hd
40	2	108-99	Washer, Thrust .79x1.25x.06	95	11	108-05	Lockwasher 5/16 Split-Ring Zn
41	10	112-143	SHCS 5/16x1.25 Zn	96	2	104-03	Pin, Dowel 1/4x7/8
42	8	112-184	SHCS, 10-32x1	97	2	103-18	HHCS 3/8-24x1.25 Gr5 Zn
43	4	112-47	SHCS, 1/4-20 x 1.0 Zn	98	2	105-33	Bushing, Flange
44	2	114-16	Washer, SHIM .99x1.375x.030	99	2	165-22	Disc, Brake - Admiral
45	1	114-17	Washer, Thrust .866x1.181x.039	100	2	106-29	Retaining Ring SH-0093-PA
46	1	114-18	Spacer, .865x1.0x1.75	101	2	102-36	Seal, Shift Shaft - 0.5x.75x.125
47	1	114-19	Spacer, 1.12x1.375x.148	102			See Section 6.0 Parking Brake
48	2	114-21	Spacer, .51x.75x.36	103	1	127-195	Spring, Ext., .75 x 2.73
49	1	114-22	Spacer, 1.585x1.75x.245				
50	1	34-245	Plug, Fill/Vent 1/2 BSPP				
51	1	34-244	Site Glass, 1/2 BSPP				
52	2	127-186	Spring, Comp. 0.70x1.28				
53	1	127-194	Spring, Ext .360x3.0				
54	2	34-201	Shaft, Brake				

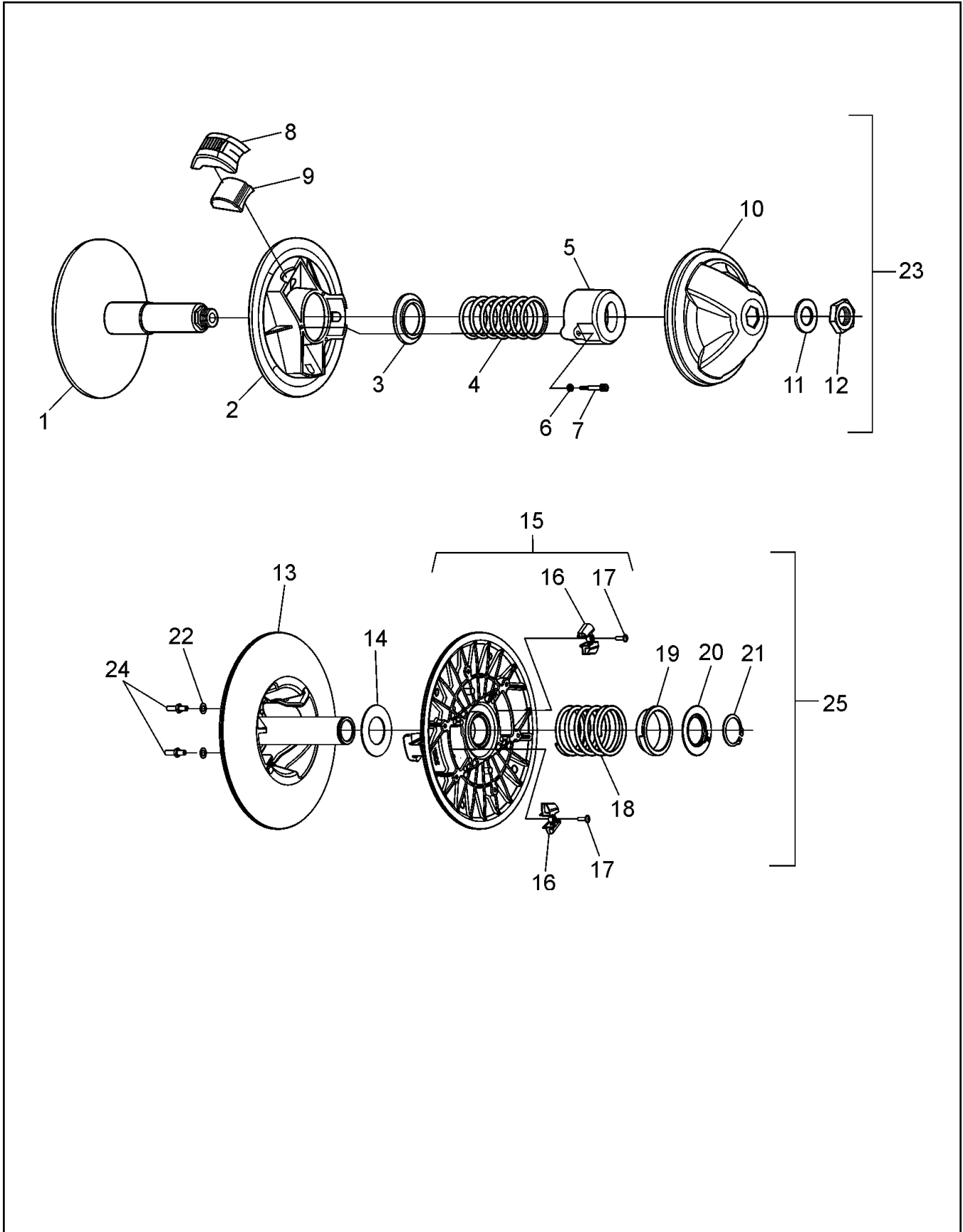


6x6 650 HD Parts Manual 2.0 Intake and Exhaust System

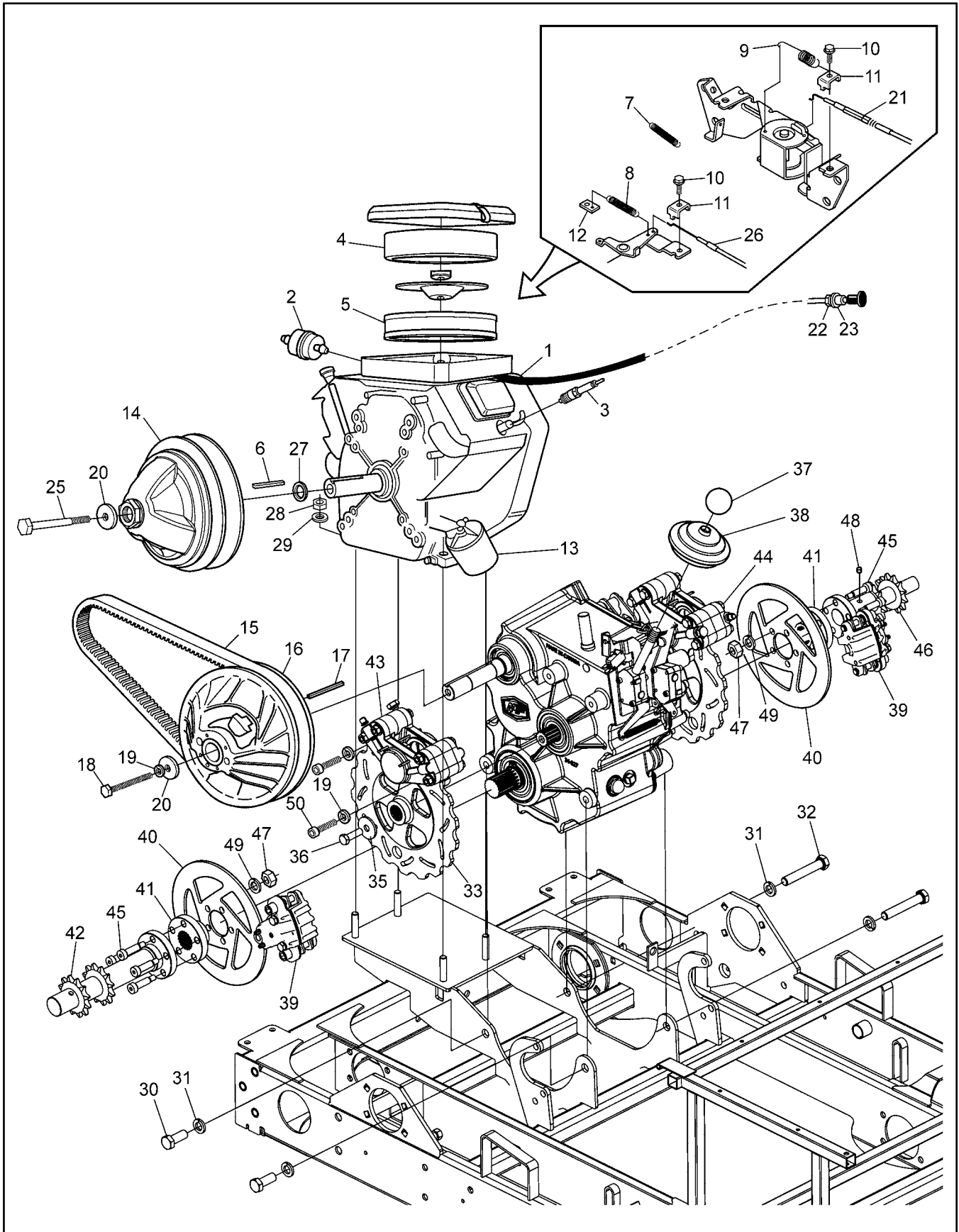
Ref.	Qty.	Part #	Description
1	1	809-07	Duct, Intake - Frontier
2	2	120-31	Rivet, 3/16 x 1/4". Open End
3	1	603-82	Seal, Argo Air Intake Duct - 580/650
4	1	809-08	Bracket, Intake Duct
5	4	108-02	Lockwasher 5/16 Hi-Collar Bare
6	4	112-30	SHCS M8 x 1,25 x 20mm Zn
7	4	120-04	Washer, .19 x .50 x .08 Zn
8	1	607-145	Muffler Asm, Briggs 650
9	2	126-57	Spring, Extension - 7/16 x 2.14
10	1	607-125	Tube Ass'y, Muffler, Flared
11	1	607-169	Shield, Muffler Heat Frt
12	4	112-19	Screw, IHWH T/C Slot 1/4-20 x 1/2
13	1	607-164	Duct, Exhaust - Frontier
14	1	607-126	Spark Arrester, 1.75 Dia.
15	1	607-166	Pipe, Tail Asy 8.00
16	2	806425	Gasket, Exhaust Manifold - B&S 23 HP
17	1	707-45	Support, Exhaust Duct
18	2	125-58	Washer, Fibre - W-77F
19	2	117-53	Nut, Jack 1/4-20 8L-JNS Zn
20	2	108-03	Lockwasher 1/4 Split Ring Zn
21	2	103-97	HHCS 1/4-20 x 1.25 Gr5 Zn
22	1	108-71	Lockwasher, #8 External Tooth
23	1	112-43	Screw IHWH #8 x 3/8
24	4	103-31	PHMS 1/4-20 x 5/8 Grade 5 Zn
25	4	108-03	Lockwasher 1/4 Split Ring Zn

3.0 Clutch System

6x6 650 HD Parts Manual



Ref.	Qty.	Part #	Description
1	1	0405-0075	Flange, Fixed - 6x6 Frontier 650
2	1	0410-0026	Flange, Sliding
3	1	0150-1014	Spring Guide Washer
4	1	0451-1114	Spring
5	1	0440-0005	Spring Cover
6	3	0080-0167	Lockwasher
7	3	0080-0021	Screw, Cap
8	3	0130-3009	Block
9	3	0135-3065	Weight (275gr) - 6x6 Frontier 650
	1	127-208	Weight Set (3), 185g - High Elevation
	1	127-209	Weight Set (3), 220g - High Elevation
	1	127-210	Weight Set (3), 240g - High Elevation
10	1	0115-0047	Cap
11	1	0080-0153	Washer, Zn
12	1	0080-0100	Nut
13	1	5905-0003	Flange, Fixed
14	1	0080-0164	Washer, Shim
15	1	5910-0002	Flange, Sliding
16	3	5930-3001	Cam Shoe
17	2	0080-0031	Screw
18	1	5951-1009	Spring
19	1	5950-3003	Spring Protector
20	1	5950-3002	Spring Support
21	1	0080-0216	Retaining Ring, Outside
22	2	0080-0167	Lockwasher
23	1	127-135	Clutch, Driver - 6x6 Frontier 650
24	2	0080-0035	Screw & Nut Ass'y
25	1	127-156	Clutch, Driven - INVANCE



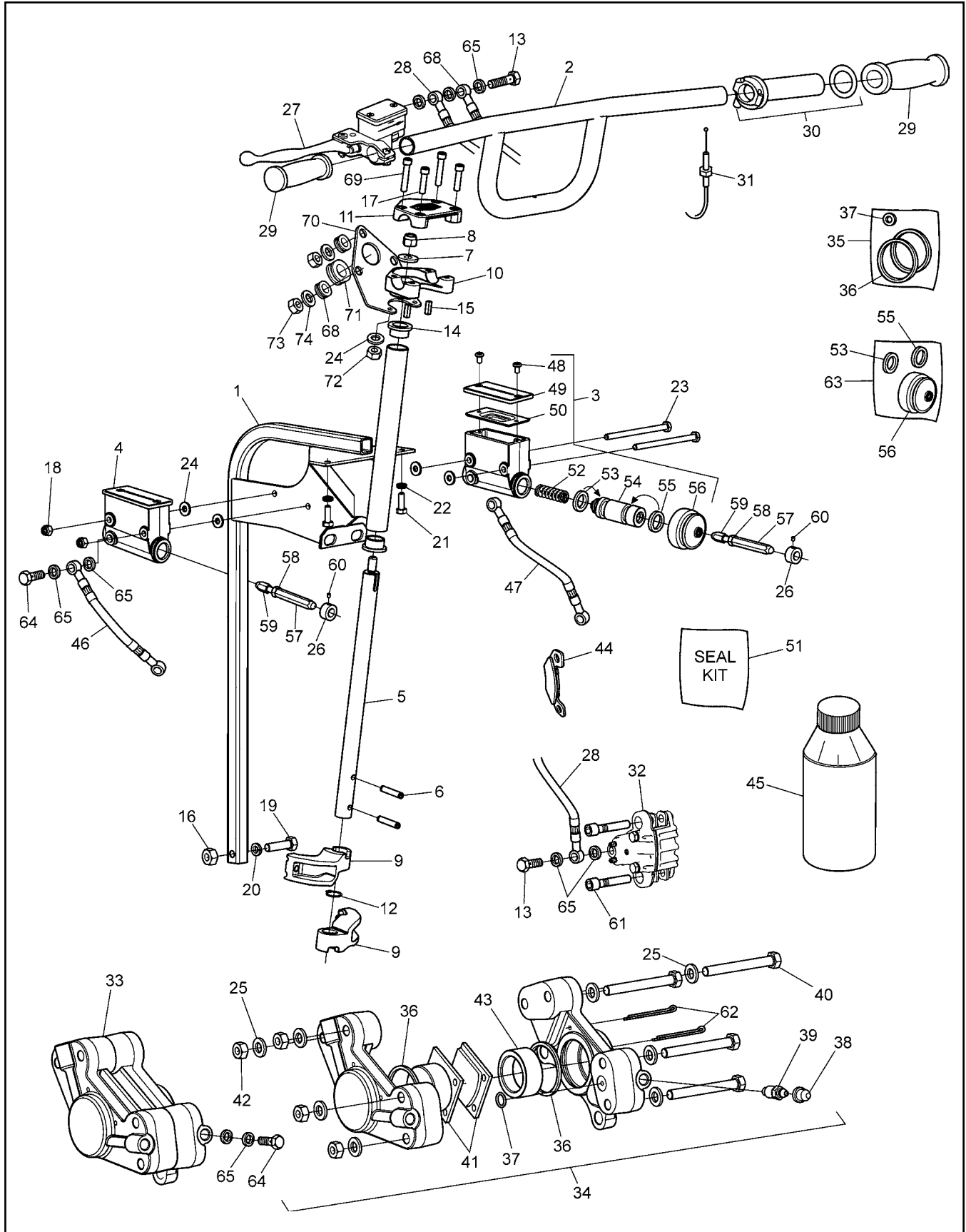
6x6 650 HD Parts Manual

4.0 Power Pack Assembly

Ref.	Qty.	Part #	Description	Ref.	Qty.	Part #	Description
1	1	128-20	Engine - B&S 23HP, 20/50 amp incl. Ref. 2-13 B&S #386447-0144-E1	39	2	165-32	Caliper, Service
2	1	125-64	Fuel Filter, G81-4	40	2	165-25	Disc, Brake, Service
3	2	127-193	Sparkplug RC14YC	41	2	34-239	Coupler, Output Shaft
4	1	692520	Element, Foam - 23HP	42	1	606-103	Shaft, Output L - 11T - 650 HD
5	1	692519	Filter, Air - 23HP	43			See Section 5.0 Steering & Brake System
6	1	110-18	Key 1/4 x 1/4 x 1.75 RC45	44			See Section 5.0 Steering & Brake System
7	1	805458	Spring	45	10	112-188	Bolt, Shoulder M10 x 30
8	1	125-88	Spring, Return	46	1	606-102	Shaft, Output R - 11T - 650 HD
9	1	127-49	Spring, Return	47	10	117-77	Locknut, Nylon - M8 x 1,25mm Zn8
10	2	805169	Screw-Hex Head (Briggs #)	48	1	613-127	Magnet, Speedometer
11	2	221535	Clamp - Casing (Briggs #)	49	10	108-05	Lockwasher 5/16 Split- Ring Zn
12	1	601-86	Clip, Retainer	50	4	103-41	SHCS 3/8-16x1.25 Zn
13	1	126-95	Filter, Oil				
14			See Section 3.0 Clutch System				
15	1	127-159	Drive Belt - Frontier - 11.3" Cen. Dist				
16			See Section 3.0 Clutch System				
17	1	110-03	Key 1/4 x 3/16 x 2.375 RC46				
18	1	112-164	HHCS 3/8-16 x 3.50 Gr5 Zn				
19	7	108-06	Lockwasher 3/8 Split Ring Zn				
20	2	108-58	Washer .47 x 1.37 x .12 Hi- Carbon - 650				
21	1	612-101	Cable Asm, Throttle				
22	2	117-68	Nut, Jam 3/8-24 UNF Zn				
23	1	108-32	Lockwasher 3/8 Int.Tooth				
25	1	112-160	HHCS, 7/16-20 x 5" Lg - 650				
26	1	612-130	Cable Asm, Choke				
27	1	108-84	Washer, Engine, Clutch 650				
28	4	117-21	Locknut, Nylon 5/16-18 Zn				
29	4	108-24	Washer .34 x 1.00 x .06 Zn				
30	2	112-189	HHCS 1/2-13 x 1.25 Gr5 Zn				
31	4	108-07	Lockwasher 1/2 Split Ring Zn				
32	2	112-190	HHCS 1/2-13 x 3.0 Gr5 Zn				
33	2	165-22	Disc, Brake - Admiral				
35	2	108-18	Washer .40 x 1.37 x .12 Zn				
36	2	103-18	HHCS 3/8-24 x 1.25 Gr5 Zn				
37	1	127-189	Knob, 1.58" Dia. x 1/2-13				
38	1	609-44	Boot, F-N-R Shifter				

5.0 Steering & Brake System

6x6 650 HD Parts Manual



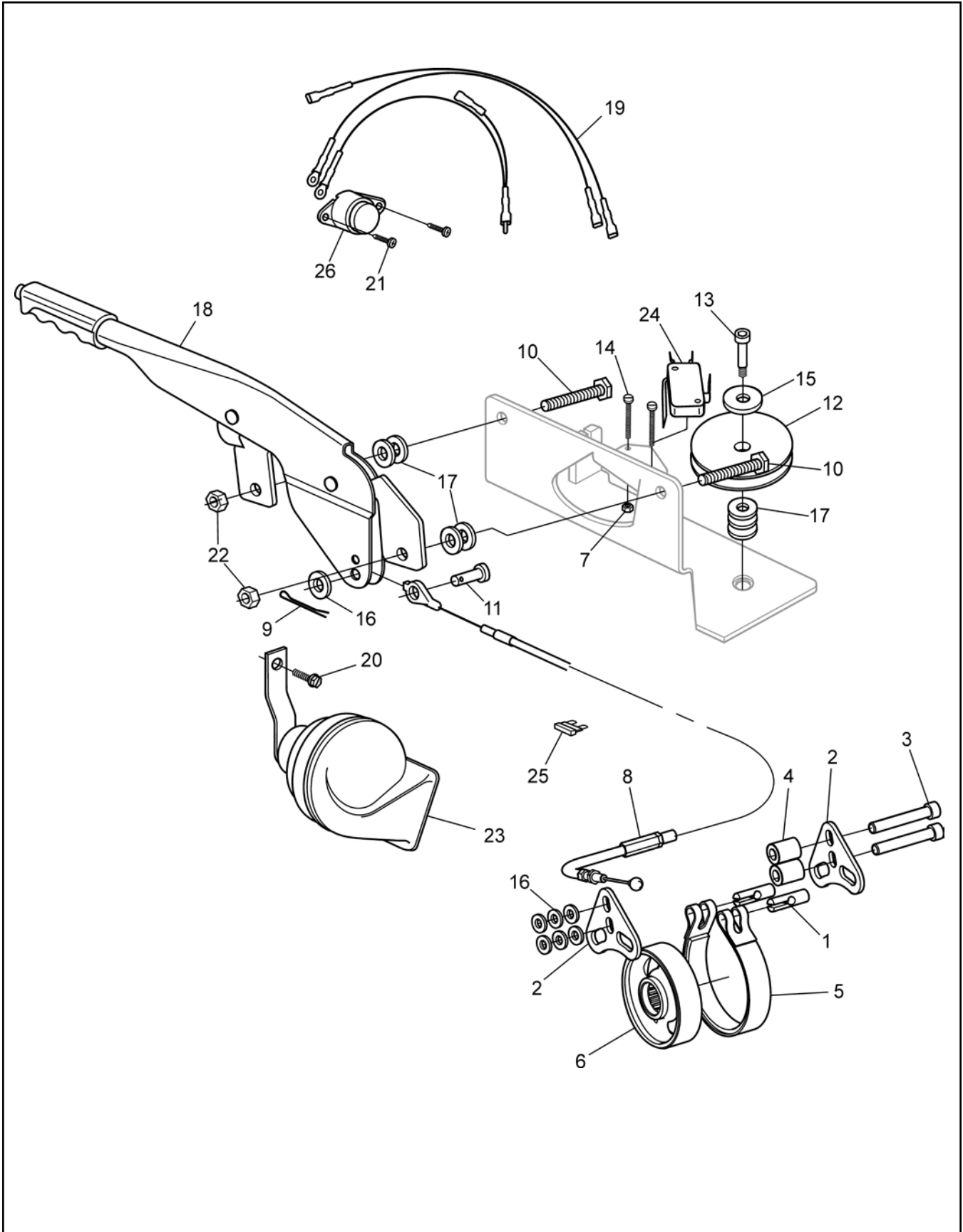
6x6 650 HD Parts Manual

5.0 Steering & Brake System

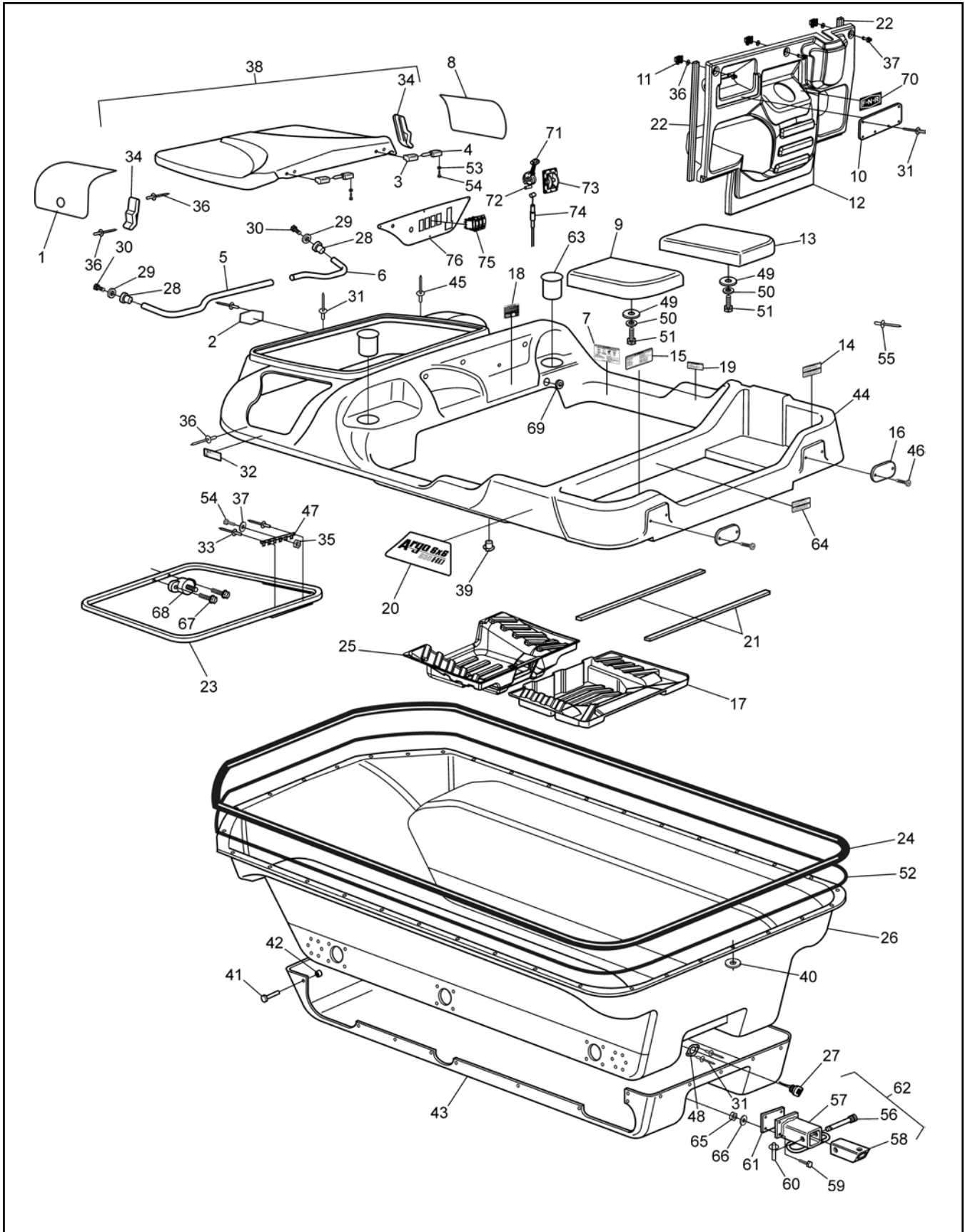
Ref.	Qty.	Part #	Description	Ref.	Qty.	Part #	Description
1	1	612-133	Frame Ass'y- Steering Column HDi	45		126-19	Fluid, Brake-Silicon Dot 5 - .35L
2	1	612-107	Handlebar Assembly	46	1	163-05	Hose Asm, Hydraulic - Left
3	1	165-08	Master Cylinder, Grimeca - R	47	1	163-06	Hose Asm, Hydraulic - Right - SS
4	1	165-07	Master Cylinder, Grimeca - L	48	2x2	160-42	Screw, FHMS M5 x 0,8 x 6mm
5	1	612-128	Shaft, Steering - Avenger	49	2x1	168-08	Cover
6	2	104-42	Pin, Spring 1/4 x 1.5"	50	2x1	168-09	Cover, Rubber
7	1	108-47	Washer, .39 x .94 x .13 Zn Di-chr	51	1	165-37	Piston Seal Kit - Wilwood
8	1	117-29	Locknut, Nylon 3/8-16 Zn	52	2x1	162-08	Spring, Comp. 17.3 x 49.3mm
9	2	612-124	Arm, Steering	53	2x1		Seal, Primary, 19mm (See Ref. 63)
10	1	612-106	Clamp, Lower Handlebar	54	2x1	168-10	Piston 19mm dia.
11	1	612-105	Clamp, Upper Handlebar	55	2x1		Seal, Secondary, 19mm (See Ref. 63)
12	1	106-07	Ring, Retaining SH-0075PA	56	2x1		Boot, Rubber (See Ref. 63)
13	2	112-194	Bolt, Banjo, M10x1.0, Double	57	2	812-30	Pin, Female
14	2	105-16	Bushing, Oilite - 3/4 x 1/2	58	2	117-03	Nut, Fin Hex 1/4-20 Zn
15	2	110-17	Key, 3/16 x 3/16 x .625	59	2	812-31	Fin, Male
16	1	117-21	Locknut, Nylon 5/16-18 Zn	60	2	112-02	SHSS 10-24x1/4 Knurl Cup PT, PL
17	2	112-47	SHCS, 1/4-20 x 1.0 Zn	61	4	165-38	Caliper Pin, Service Brake HDi
18	2	117-27	Locknut, Nylon 1/4-20 Zn	62	2x2	168-07	Pin, Cotter 1/8 x 3.00 Zn
19	1	112-155	C/Bolt 5/16-18x1.25 Gr2 Zn	63	2x1	161-25	O-Ring Kit - Master Cylinder - Grimeca (incl. Ref. 53, 55 & 56)
20	1	108-24	Washer, .34 x .70 x .06 Zn	64	4	160-44	Bolt, Banjo - M10 x 1,0 x 21,0
21	2	112-04	HHCS 1/4-20 x 3/4 Gr2 Zn	65	13	160-01	Washer, Copper - 1,5 x 10,0 x 14,0
22	2	108-03	Lockwasher 1/4 Split Ring Zn	68	1	165-35	Brake Line, Driver Side
23	2	103-66	HHCS, 1/4-20 x 4.0 Gr5 Zn	69	2	103-69	SHCS 1/4-20 x 1.5 Zn
24	4	108-08	Washer, .28 x .62 x .04 Zn	70	1	612-132	Bracket, LCD Gauge - Painted
25	2x8	108-24	Washer, .34 x .70 x .06 Zn	71	1	128-27	Grommet 1-1/4ID x 1-1/2x3/32
26	2	812-17	Collar	72	2	117-86	Nut, Acorn, 1/4-20 Zn
27	1	165-31	Handbrake, Left Hydraulic	73	3	117-85	Nut, Acorn, M5 Zn
28	1	165-34	Brake Line, Passenger Side	74	3	120-04	Washer .19 x .50 x .08 Zn
29	2	127-35	Grip, Molded				
30	1	127-81	Throttle Twist Grip				
31	1	612-116	Cable Asm., Throttle				
32			See Section 4.0 Power Pack Assembly				
33	1	166-10	Caliper, Hydraulic Brake - L w/o pads				
34	1	166-11	Caliper, Hydraulic Brake - R w/o pads				
35	2	161-05	O-ring Kit, Knott Caliper				
36	2		Seal, Piston				
37	2		Seal, Rubber				
38	2x1	168-20	Plug, Rubber				
39	2x1	168-02	Screw, Bleeding, Knott Caliper				
40	2x4	112-154	SHCS, 5/16-18 x 2.75 Zn				
41	1	170-03	Pad Set (4), Brake - Non-Asbestos				
42	2x4	117-03	Nut, Fin Hex 5/16-18 Zn				
43	2x2	168-01	Piston, Knott Caliper				
44	1	165-36	Brake Pad (4) Replacement - Kit				

6.0 Parking Brake

6x6 650 HD Parts Manual



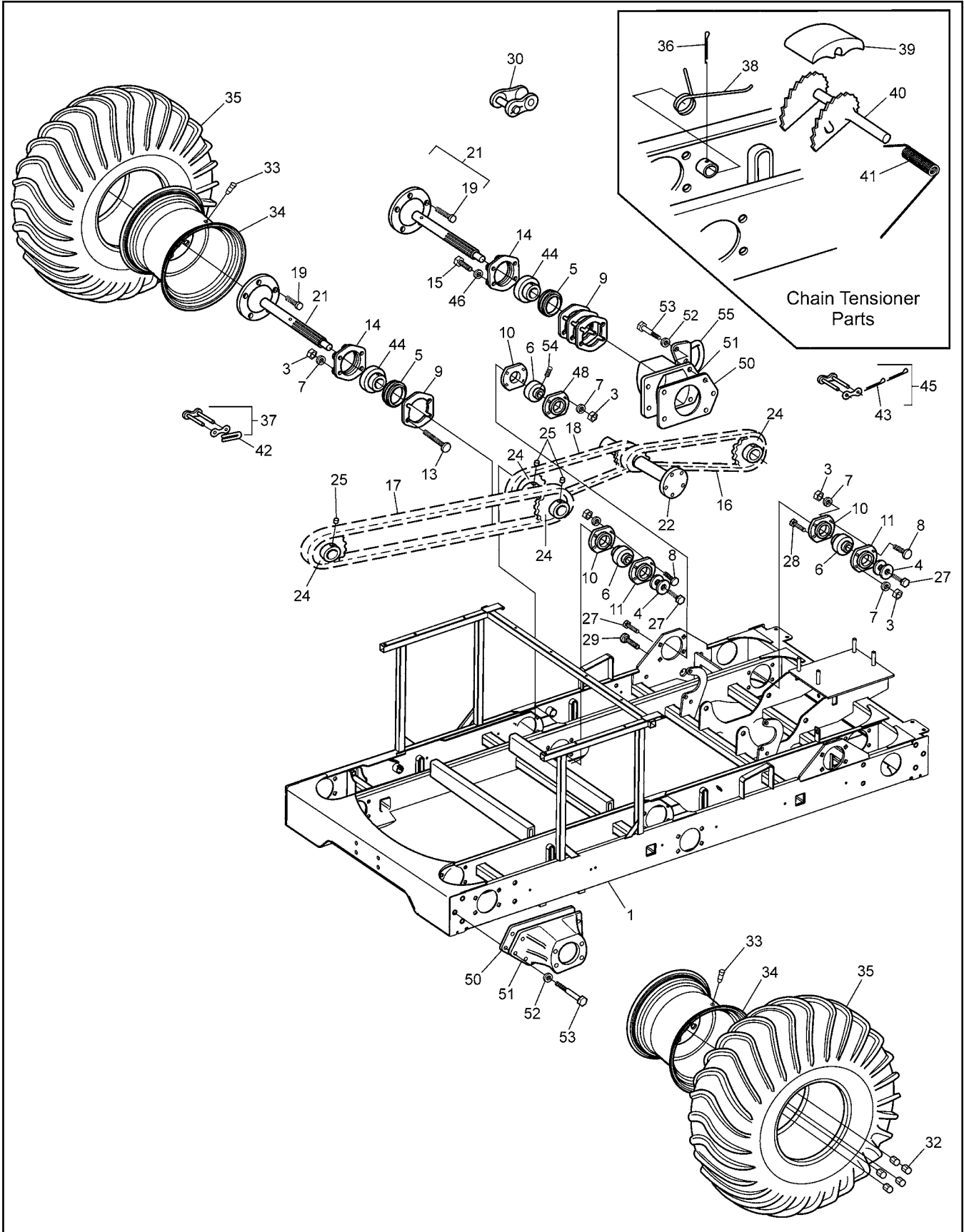
Ref.	Qty.	Part #	Description
1	3	104-57	Pin, Slotted .375 x 1.25
2	2	165-27	Bracket, E-Brake
3	2	112-185	SHCS 5/16 x 2.0 Zn
4	2	114-23	Spacer, .34 x .63 x .80
5	1	165-28	Band, Brake
6	1	34-243	Drum, E-Brake
7	2	112-173	Locknut, #5-40, Zn
8	1	165-33	Cable, Parking Brake - HDi
9	1	100-100	Pin, Cotter 1/8x3/4 Zn
10	2	103-06	HHCS 5/16-18x1.0 Gr5 Zn
11	1	104-27	Pin, Clevis 5/16x.75" Zn
12	1	850-79	Pulley, Parking Brake Cable
13	1	112-178	Bolt, Shoulder, 1/2 x 5/8
14	2	112-172	SHCS 5-40 x 3/4 Zn
15	1	108-35	Washer .53 x 1.06 x .09 Zn
16	6	108-24	Washer .34x.70x.06 Zn
17	7	108-47	Washer .39x.94x.13 Zn Di-Chro
18	1	809-147	Lever, Parking Brake
19	1	848-88	Wire Harness, Horn*
20	1	112-19	Screw,IHWH T/C Slot 1/4-20x1/2*
21	2	112-56	T/S Pan Head Phil #10x3/4 A Zn*
22	6	117-21	Locknut, Nylon 5/16-18 Zn
23	1	848-87	Horn, Electric*
24	1	613-120	Switch, Micro, Lever
25	1	118-52	Fuse, 10A 2-Prong (AT010)*
26	1	848-86	Button, Horn*
			*If equipped



6x6 650 HD Parts Manual

7.0 Vehicle Body & Firewall

Ref.	Qty.	Part #	Description	Ref.	Qty.	Part #	Description
1	1	707-43	Screen - Exhaust	43	1	603-98	Skid Plate, 6x6 - Black (if equipped)
2	1	601-44	Nameplate, "Argo"	44	1	601-105	Body & Hood, Upper - Frontier (spec. colour) (incl. 23, 33, 38)
3	2	127-45B	Knuckle, Hinge	45	109	120-09	Rivet 3/16 x 1 - Black
4	2	127-45A	Pin, Hinge	46	4	103-48	T/S Pan HD PHIL #10 x 5/8
5	1	601-103	Tube, Dash Handle, Pass.Side	47	1	613-37	Terminal Strip, Ground
6	1	601-104	Tube, Dash Handle, Driver Side	48	2	100-114	Gasket, Drain Plug
7	1	126-68	Plate, Operation	49	2	603-15	Washer, Plastic 5/16 Hole
8	1	707-42	Screen, Intake	50	2	108-01	Washer, Fender 1/4 BS x 1.25 OD
9	1	601-03	Seat, Rear - Left - 6x6 - Black	51	2	103-08	HHCS 1/4-20 x 1.0 Zn
10	1	609-49	Glove Box, Firewall - 6x6 Adm.	52	1	126-60	Vinyl Strip, 1/2" x 1/4" x 37.5'
11	3	117-91	Receptacle, Q-Turn	53	8	108-59	Lockwasher #10 Int. Tooth Zn
12	3	609-42	Firewall, Admiral	54	9	103-47	HHCS 10-24 x 1/2
13	1	601-02	Seat, Rear - Right - 6x6 - Black	56	1	104-13	Pin, Toplink - 3/4 x 2.75
14	1	126-67	Plate, Floor Pan	57	1	616-16	Hitch Assembly
15	1	127-173	Plate, Vehicle Capacity	58	1	616-19	Tube, Hitch
16	2	127-01	Reflector, Red	59	4	103-61	HHCS 3/8-24 x 1.5 Gr5 Zn
17	1	803-61	Floor Pan, Rear - Frontier	60	1	104-11	Pin, Lynch - Ring
18	1	127-141	Label, Caution - Keyswitch	61	1	616-20	Gasket, Rear Hitch
19	1	126-69	Plate, Fuel	62	1	626-10	Hitch Kit (Opt. on Frontier 480/580)
20	2	127-214	Nameplate - 6x6 650 HD	63	2	100-109	Cup Holder Insert
21	2	601-106	Trim, Vinyl - 30" Black	64	1	127-51	Plate, Capacity 6x6
22	2	809-166	Seal, 15" Long	65	4	117-24	Locknut, Nylon 3/8-24 Zn
23	1	602-53	Frame Ass'y, Hood - Front	66	4	108-15	Washer .42 x .81 x .05 Zn
24	1	601-05	Bumper, Vinyl - 6x6	67	2	112-51	Screw, IHWH T/C #10-24x5/8
25	1	803-63	Floor Pan, Front - HDi	68	1	613-123	Post, Power, 5/16-18, Red
26	1	603-99	Body, Lower - Frontier	69	1	128-26	Grommet, 1-1/2ID x 1-3/4x1/4
27	2	100-107	Plug, Drain - Flanged	70	1	127-200	Label, F-N-R-HDi
28	2	113-12	Insert, 1/2-13	71	1	127-212	Pivot, Hi-Lo Shifter
29	2	108-35	Washer .53 x 1.06 x .09 Zn	72	1	104-57	Pin, Slotted - .375 x 1.25
30	2	112-151	HHCS 1/2-13 x 1" Gr2 Zn	73	1	127-211	Bracket, Hi-Lo Shifter
31	29	120-13	Rivet, 3/16 x 3/4 Black	74	1	127-198	Cable, Hi-Lo Shifter
32	1	127-144	Label, Warning - HOT	75	1		See Section 10.0 Electrical System
33	2	120-15	Rivet - 1/8 x 7/16	76	1	601-121	Panel, Dash - 6x6 Adm
34	3	602-56	Latch, Hood - Soft Draw				
35	1	117-10	Locknut, 10-24 N/I Zn				
36	3	114-24	Retainer, Q-Turn Washer				
37	3	112-193	Stud, Q-Turn				
38	1	602-57	Hood Kit - Frontier (spec. colour) (incl. 3, 4, 34, 36, 53, 54)				
39	2	117-44	T- Nut 1/4-20 Zn				
40	84	120-04	Washer .19 x .50 x .08 Zn				
41	26	120-27	Pin, Magna Grip (if equipped)				
42	26	120-28	Collar, Magna Grip (if equipped)				

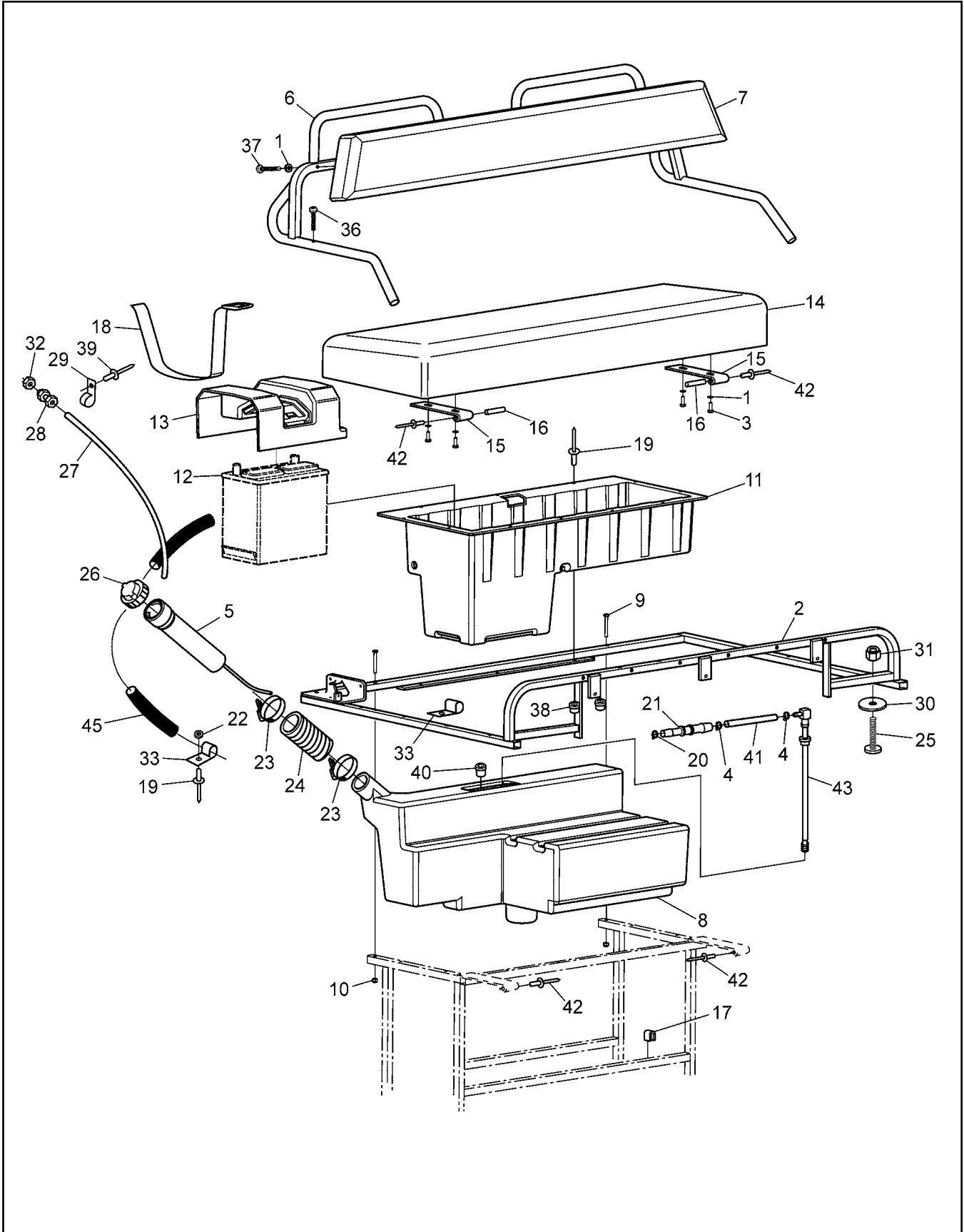


6x6 650 HD Parts Manual

8.0 Frame and Drive System

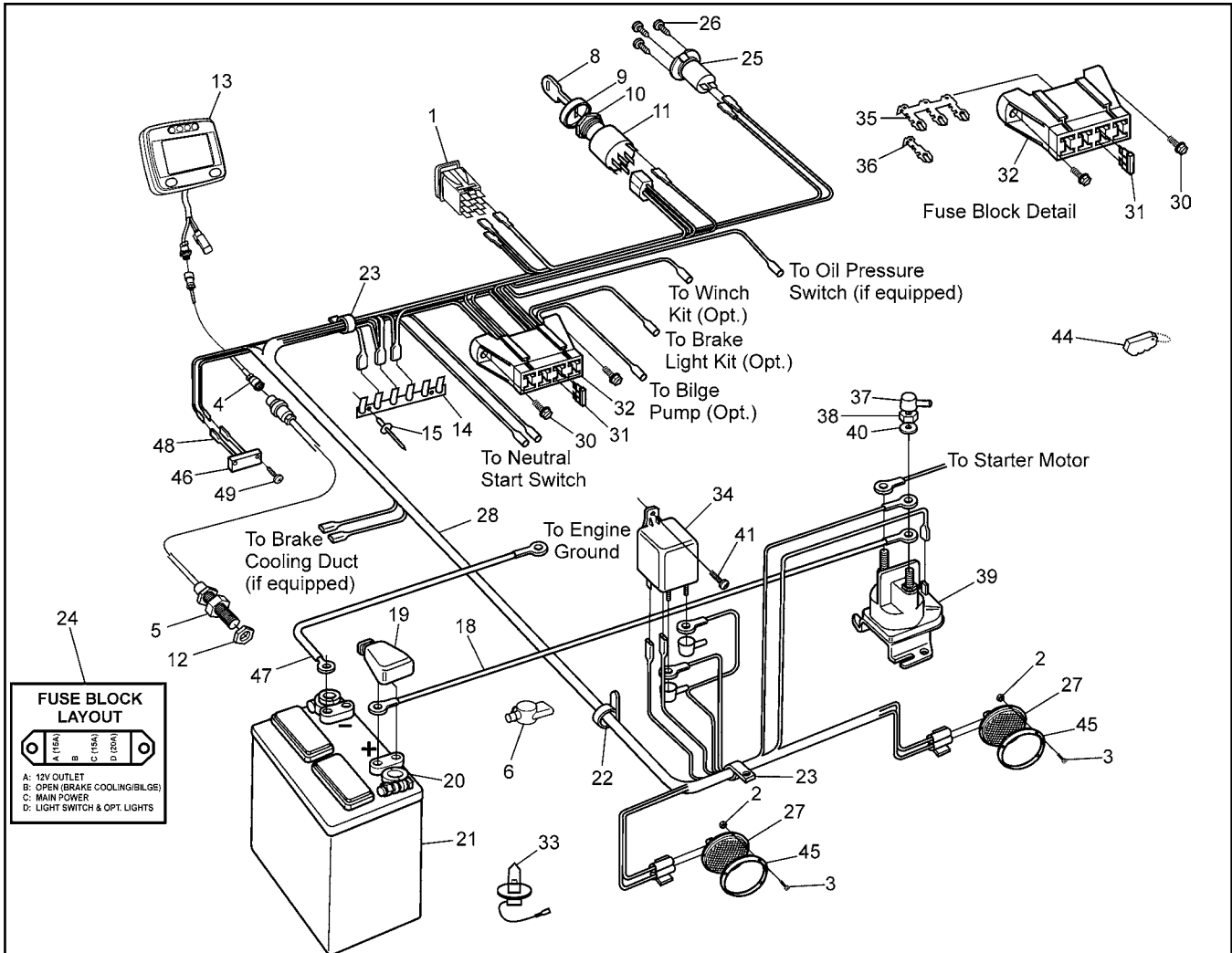
Ref.	Qty.	Part #	Description	Ref.	Qty.	Part #	Description
1	1	604-132	Frame Asm - 6x6 Adm.	46	12	108-06	Lockwasher 3/8 Split-RingZn
3	38	117-29	Locknut, Nylon 3/8-16 Zn	48	2	606-93	Flange, Greaseable - 90 Deg Hd
4	12	108-46	Washer .40 x 1.37 x .12 Hi-Carbon	50	4	606-25	Gasket - Bearing Extension
5	6	606-89	Carrier, Axle Bearing	51	4	810-112	Bearing Extension w/nuts
6	8	101-41	Bearing, Ball - 1.0	52	20	108-34	Washer .47 x .94 x .06 Zn
7	56	108-15	Washer, .42 x .81 x .05 Zn	53	20	112-181	HHCS 7/16-20 x 1.5 Gr5 Zn
8	23	103-88	C/Bolt 3/8-16 x 1.0 Gr5 Zn	54	2	112-60	SHSS 1/4-28 x 1/2 Cup Pt.
9	12	606-90	Gasket, Flange - 72mm	55	2	642-47	Tie Down Bracket
10	14	606-91	Flange - 4 Hole Hd				
11	10	606-92	Flange, Greasable - 4 Hole Hd				
13	24	112-187	C-Bolt 3/8-16x2.0 Gr5 Zn				
14	6	606-88	Flange Ass'y, Outer Bearing				
15	16	103-68	HHCS 3/8-16 x 2.0 Gr5 Zn				
16	2	606-45	Chain, RC60 - 1 x 42P				
17	2	606-101	Chain, RC60 - 1 x 68P				
18	2	606-100	Chain, RC60 - 1 x 40P				
19	5x6	103-80	Stud, Wheel 7/16-20 x 1.125 #B271				
21a	2	810-75	Axle Ass'y - Mid (incl. Ref. 19)				
21b	4	810-73	Axle Ass'y - Front/Rear				
22			See Section 4.0 Power Pack Assembly				
24	6	606-34	Sprocket, S60 x 19T				
25	6	112-03	SHSS 5/16-18 x 3/8 1/2 DOG, PL				
27	10	112-31	HHCS 3/8-16 x 1.0 2B Gr8 Zn				
28	1	103-82	HHCS 3/8-16 x 1.5 Gr5 Zn				
29	4	112-61	C/Bolt 3/8-16 x 1.25 Gr5 Zn				
30		127-80	Link, Half - RC60 - 1 (opt.)				
32	5x6	117-35	Nut, Wheel 7/16-20 Zn				
33	6	125-26	Valve, Tire				
34	6	125-13BL	Rim - 8x7, 5 Bolt - Black				
35	6	127-158	Tire, Argo 24 x 10-8				
36	4	100-01	Pin, Cotter 1/8 x 1.50 Zn				
37	1x6	603-84	Con. Link, RC60-1 H.D.				
38	4	127-65	Spring Torsion - 1.16x0.35				
39	4	606-44	Slider Block				
40	4	606-82	Tensioner Asm, Chain				
41	4	127-64	Spring, Torsion - .76 x 1.9				
42	6	603-96	Spring Clip - RC 60 Closed				
43	4	104-35	Pin, Cotter 2mm x 12mm				
44	6	101-95	Bearing, Ball -1.25 x 72mm				
45	2	603-94	Con. Link, RC60-1 Cotter Pin				

9.0 Fuel System & Seat Assembly 6x6 650 HD Parts Manual

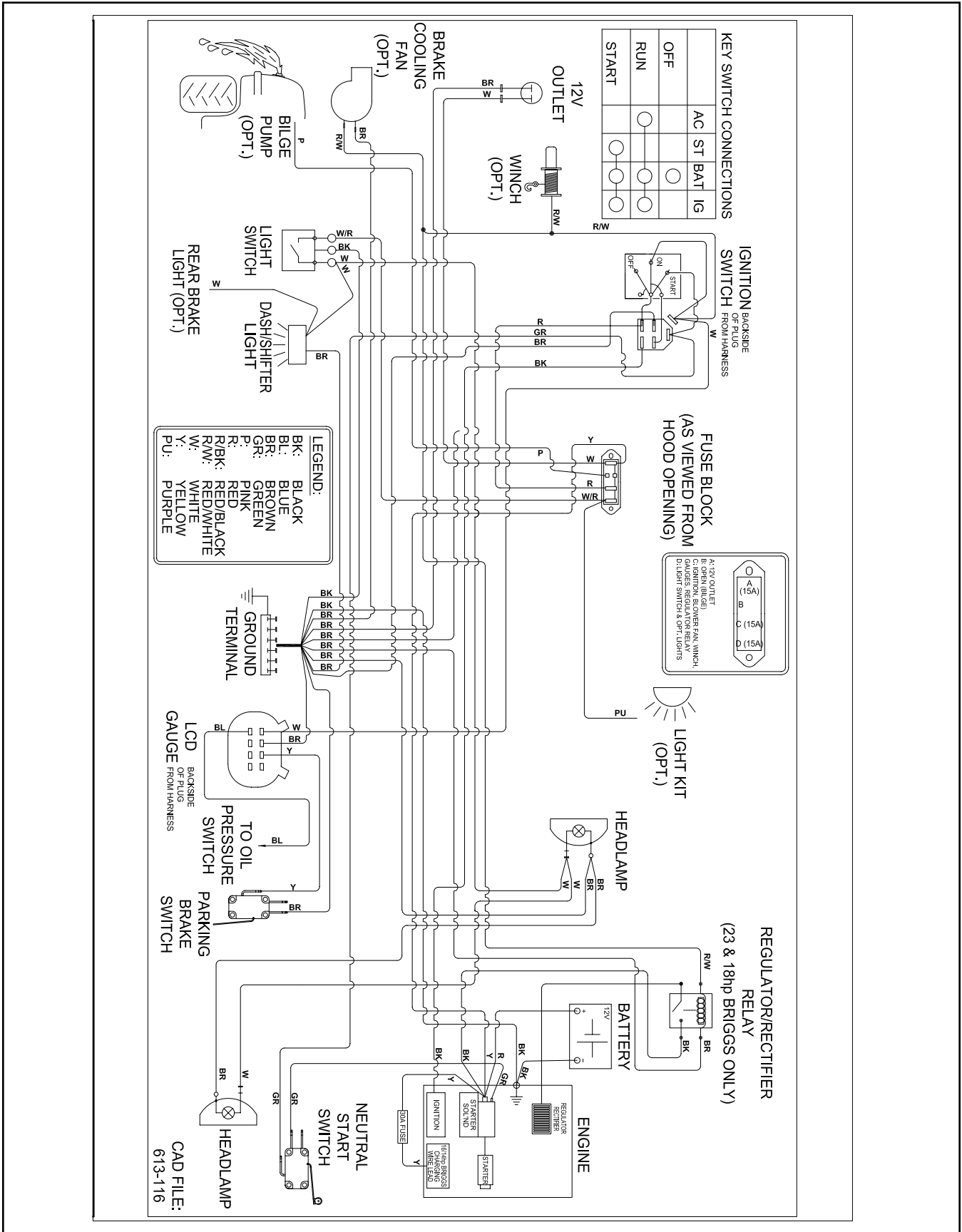


6x6 650 HD Parts Manual 9.0 Fuel System & Seat Assembly

Ref.	Qty.	Part #	Description
1	8	108-03	Lockwasher 1/4 Split Ring Zn
2	1	608-142	Frame Assembly, Seat - 6x6 Adm.
3	4	112-04	HHCS 1/4-20x3/4 Gr2 Zn
4	2	112-78	Clamp, Hose, 9/16
5	1	608-59	Neck Assembly, Vented Filler
6	1	608-76	Frame Assembly, Backrest
7	1	608-39	Back pad Assembly
8	1	608-91	Tank, Fuel
9	2	103-77	HHCS, 1/4-28 x 2.0
10	2	117-01	Locknut, Nylon 1/4-28 Zn
11	1	608-54	Toolbox
12	1	127-54	See Section 10.0 Electrical System
13	1	608-55	Cover, Battery
14	1	608-88	Seat Assembly, Bench - Thick
15	2	608-81	Hinge, Seat, Bolted
16	2	104-43	Pin, 3/16" x 1-1/8"
17	4	702-06	Foam Cushion
18	1	608-56	Strap, Battery
19	17	120-09	Rivet 3/16x1 - Black
20	4	112-79	Clamp, Hose, 1/2" - Black
21	1	808-133	Reducer, 5/16" to 1/4" Barbed
22	8	120-04	Washer .19 x .50 x .08 Zn
23	2	100-12	Clamp, Gear 2.25" HF-36
24	1	125-94	Hose, Filler
25	10	112-07	RHMS 10-24 x 1.50 Zn
26	1	126-46	Cap, Fuel
27	1	127-21	Hose, Vent - 109"
28	1	126-50	Male Connector, 1/4"
29	6	126-94	Clamp, Nylon Wire - 1/4" ID
30	10	108-42	Washer .21 x 1.0x.06 Zn
31	14	117-10	Locknut, Nylon #10-24 Zn
32	1	117-54	Nut, Locking PAL 1/2-20 Zn
33	7	126-93	Clamp, Nylon Wire - 1/2" ID
36	2	112-41	PHMS, Phil 1/4-20 x 1.25 Zn
37	4	103-03	PHMS, Phil 1/4-20 x 1.50 Zn
38	2	117-64	Insert, 1/4-20 Steel Cad Pltg.
39	4	120-13	Rivet, 3/16 x 3/4 Black
40	1	808-123	Plug, Nylon, 1/4 - NPT
41	2"	608-69RM	Hose, Fuel - 5/16" ID Carb
42	4	120-31	Rivet, 3/16" x 1/4, Open End
43	1	608-127	Pick-up, Fuel, 5/16 105 Mesh
45	1	608-66	Hose, Fuel 1/4" ID, 80"



Ref.	Qty.	Part #	Description	Ref.	Qty.	Part #	Description
1	1	613-153	Switch, Light	25	1	613-90	Outlet, 12 V DC
2	8	117-93	Nut, Speed #10	26	3	112-139	#4 Phil Drive Oval Head Screw, Blk
3	8	112-198	T/S Pan Hd Phil #10 x 1.25 Blk.	27	2	613-159	Headlight - 3.75W
4	1	613-128	Cable, Extension, Speedo Pickup	28	1	613-116	Wire Harness
5	1	613-126	Sensor, Speedo Pickup	30	2	112-51	Screw, IHWH T/C #10-24x5/8
6	1	613-124	Insulator, 2 Way w/cap, Red	31	3	118-49	Fuse, 15 A 2-prong (AT015)
7	1	118-30	Terminal, Eye - #10	32	1	118-60	Block Fuse - 8 position (4 fuse)
8	2	127-108	Key, Molded	33	2	127-46	Bulb, Headlight - Halogen
9	1	127-107	Cover, Nut	34	1	613-98	Relay, 80 Amp (if equipped)
10	1	127-106	Nut, Flanged - Plastic	35	1	118-63	Terminal, Fuse - Triple
11	1	127-105	Switch - Ignition	36	5	118-62	Terminal, Fuse - Single
12	1	117-87	Nut, M12 x 1.25, Zn	37	3	613-45	Insulator, Terminal (6 ga.)
13	1	613-119	Gauge, LCD	38	3	117-20	Nut, Fin. Hex 1/4-20 Zn
14	1	613-37	Terminal Strip, Ground	39	1	613-68	Starter Relay
15	2	120-15	Rivet 1/8 x 7/16	40	1	108-03	Lockwasher 1/4 Split Ring Zn
18	1	613-94	Wire, Positive Battery	41	1	103-48	T/S Pan Hd Phil #10x5/8 A Blk
19	1	127-55	Cap, Battery Terminal - Red	44	1	681-00	FOB, Key - Floating
20	2	127-56	Terminal, Battery Post	45	2	613-152	Bezel, Headlamp
21	1	127-54	Battery, Exide 45-60	46	1	613-99	Light, Shifter Illumination
	1	613-161	Battery, Optima - Argo (Opt.)	47	1	613-95	Wire, Negative Battery
22	8	100-64	Tie Wrap - 5.5" - Black	48	2	118-69	Terminal, 3/16 Male Blade 22 Ga
23	13	126-93	Clamp, Nylon Wire - 1/2" ID	49	2	112-139	OHPS T/S #4 x 5/8 Black Zn
24	1	127-154	Label, Fuse Panel				



ARGO Products Manufactured by:

Ontario Drive & Gear Limited

220 Bergey Court

New Hamburg, Ontario

Canada N3A 2J5

Phone: (519) 662-2840

Fax: (519) 662-2421

www.argoatv.com

ODG *Dedicated to quality and performance*